

Vernis Blend
Single lever bath mixer for concealed installation
 Finish: **Matt Black** Article Number: **71449670**



Description

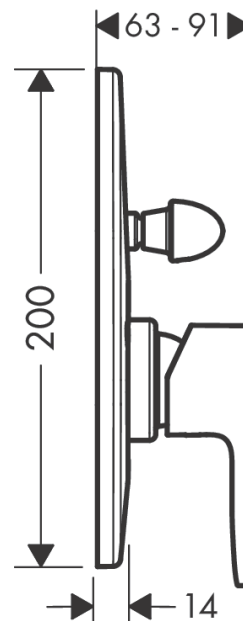
product features

- 2 functions
- maximum flow rate at 3 bar: 30,7 l/min
- flow rate for bath spout at 3 bar: 30,7 l/min
- flow rate of hand shower at 3 bar: 27,4 l/min
- ceramic cartridge
- temperature limitation adjustable
- diverter with automatic resetting
- suitable for continuous flow water heaters
- connection type: basic set
- wall-mounted
- min. operating pressure: 1 bar
- max. operating pressure: 10 bar

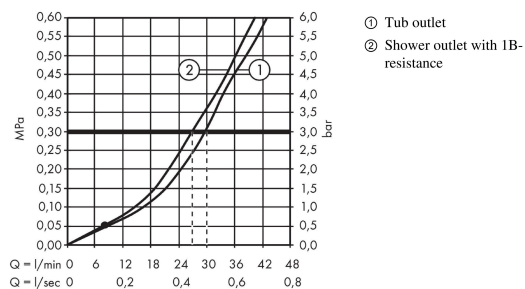
Product image



Scale drawing



Flowchart

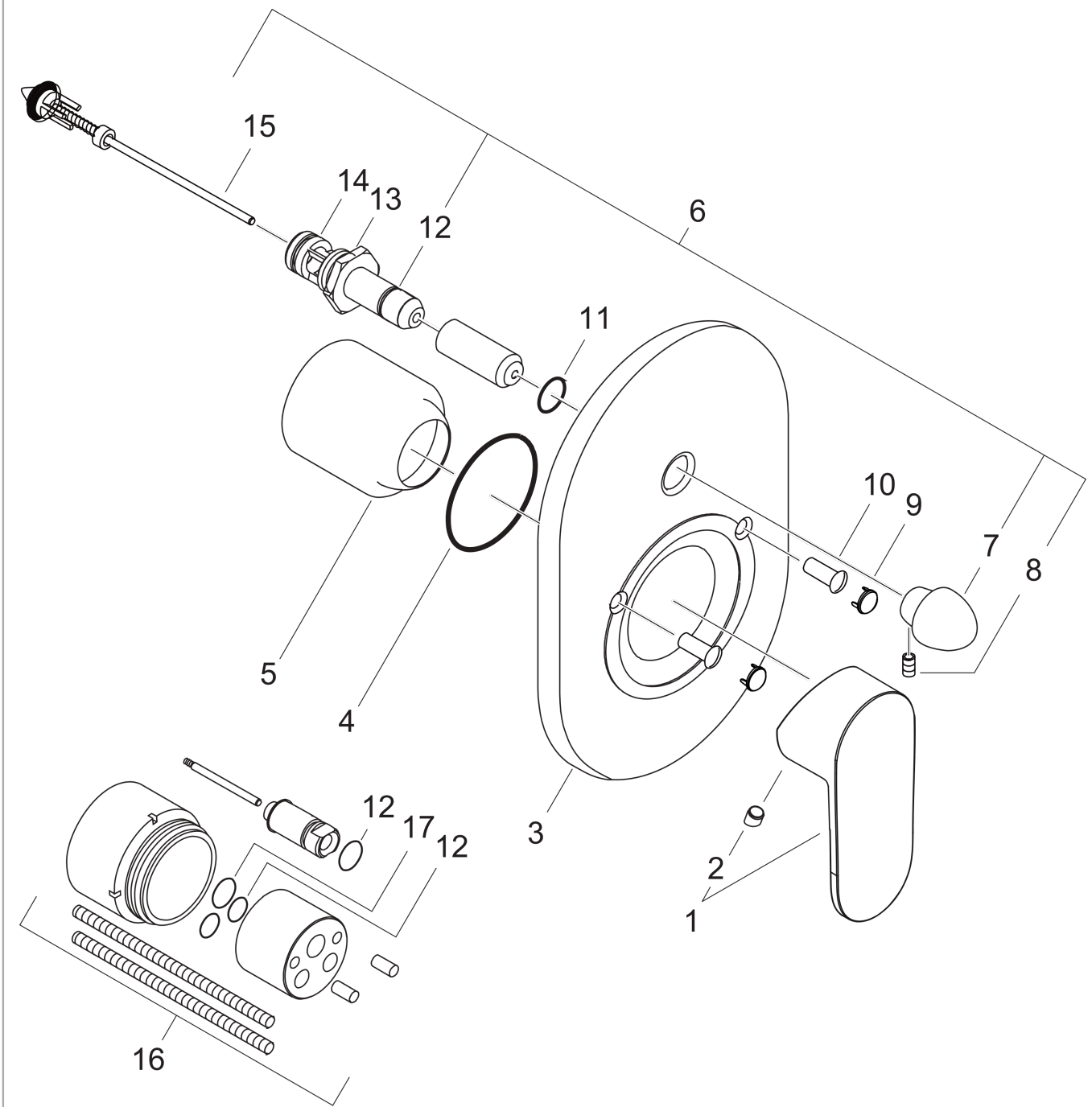


Vernis Blend
Single lever bath mixer for concealed installation
 Finish: **Matt Black** Article Number: **71449670**



Exploded Drawing

Year of production: >04/21



Vernis Blend
Single lever bath mixer for concealed installation
 Finish: **Matt Black** Article Number: **71449670**



Spare part list

Year of production: >04/21

Pos.	Description	Article Number	PC	PU
1	handle	93715670	59	1
2	screw cover	96338000	1	1
3	escutcheon	93935670	0	1
4	O-Ring 48x3	95508000	1	1
5	flange	96348670	54	1
6	selector assy	96937000	6	1
7	diverter knob	93937670	0	1
8	hollow set screw M4x10	97667000	1	1
9	cover cap	95433670	52	1
10	hollow screw	96065000	2	1
11	O-ring 14x3	98130000	1	1
12	O-ring 10x1,5	98123000	1	1
13	O-ring 16x2,5	98134000	1	1
14	O-ring 13x2	98128000	1	1
15	diverter assy with sleeve and handle	95015000	14	1
16	extension set 28 mm tub mixer	32498000	16	1
17	O-ring 12x1,5	98430000	1	1
a	concealed item	31741180	99	1