

Technical Data

KLUDI A-QA
head shower 1 S
250 mm
DN 15

Ref.:
6432505-00

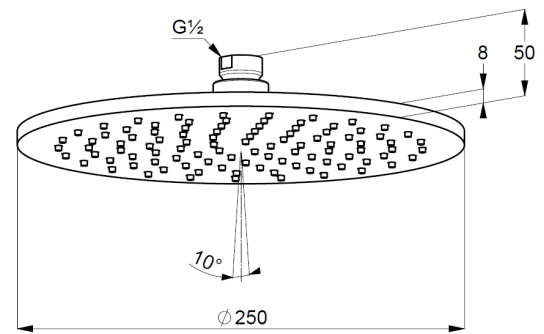
Finishes:
05 chrome

Product description
Manufacturer KLUDI GmbH & Co. KG
Typ: KLUDI A-QA
head shower 1 S DN 15
250 mm
Ref.: 6432505-00
head shower 1 S
1 spray pattern
with cleaning system
Flow rate at 3 bar = 23 l/ min.
connection 1/2"
with ball joint
Ø 250 mm
sieve seal

Product picture



Dimensional drawing



Flow rate diagram

