

Product information sheet ZIA XL 6 S Compact

Item no. 523275

Benefits



- Modern design with clear lines
- Extra large bowl for maximum comfort
- Compact outer dimensions thanks to reduced draining area
- Can be installed reversibly

Colours



Available colours:

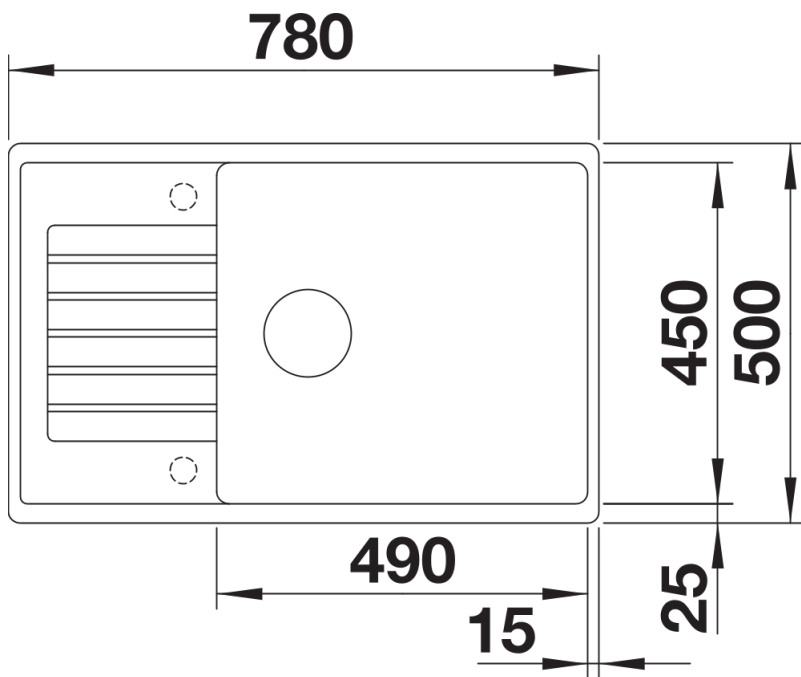
- black
- anthracite
- volcano grey
- alu metallic
- white
- soft white
- coffee

SILGRANIT alu metallic

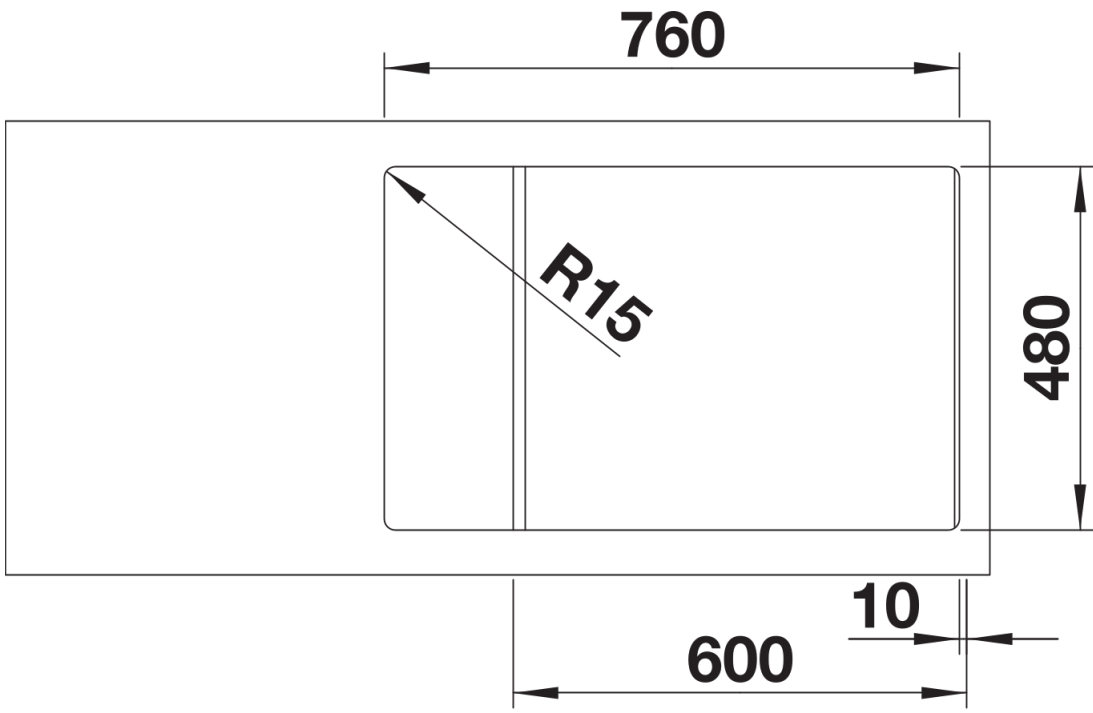
Scope of supply

- waste kit with space-saving pipe
- 3 ½" basket strainer

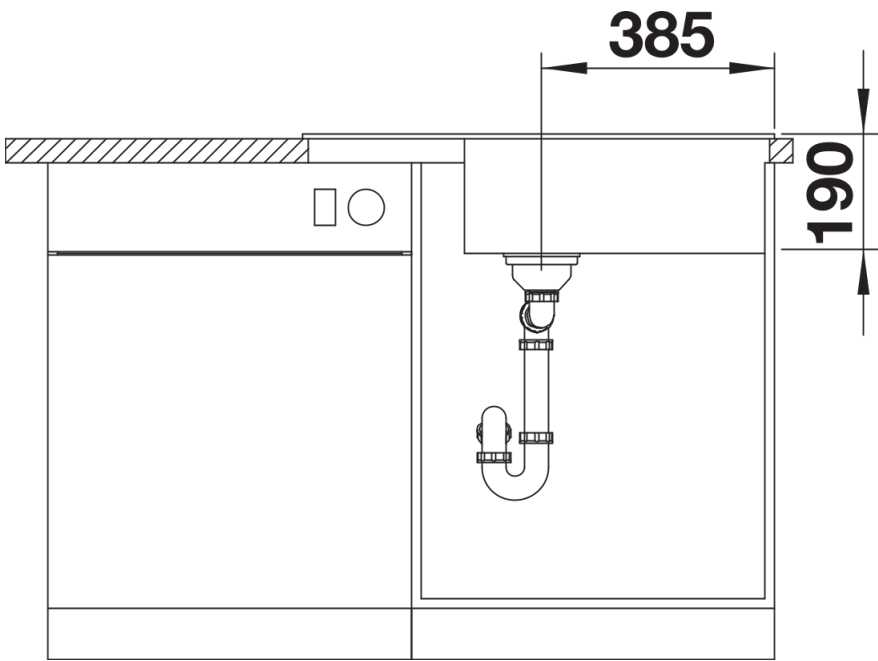
Details



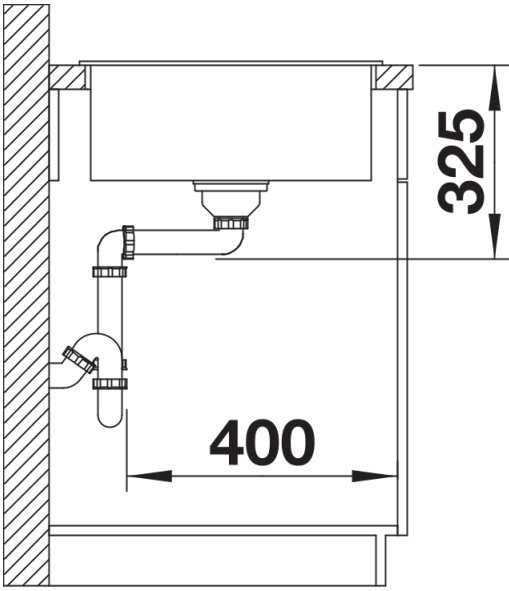
Top view



Cut-out



Front view



Side view