

## Product information sheet ZIA XL 6 S Compact

Item no. 523273

### Benefits

---



- Modern design with clear lines
- Extra large bowl for maximum comfort
- Compact outer dimensions thanks to reduced draining area
- Can be installed reversibly

### Colours

---



Available colours:

- black
- anthracite
- volcano grey
- alu metallic
- white
- soft white
- coffee

SILGRANIT anthracite

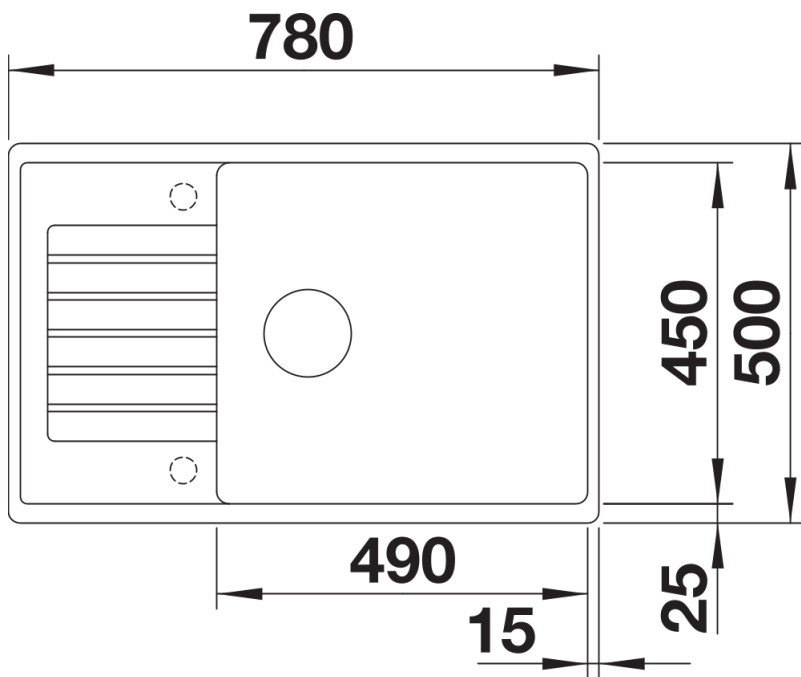
## Scope of supply

---

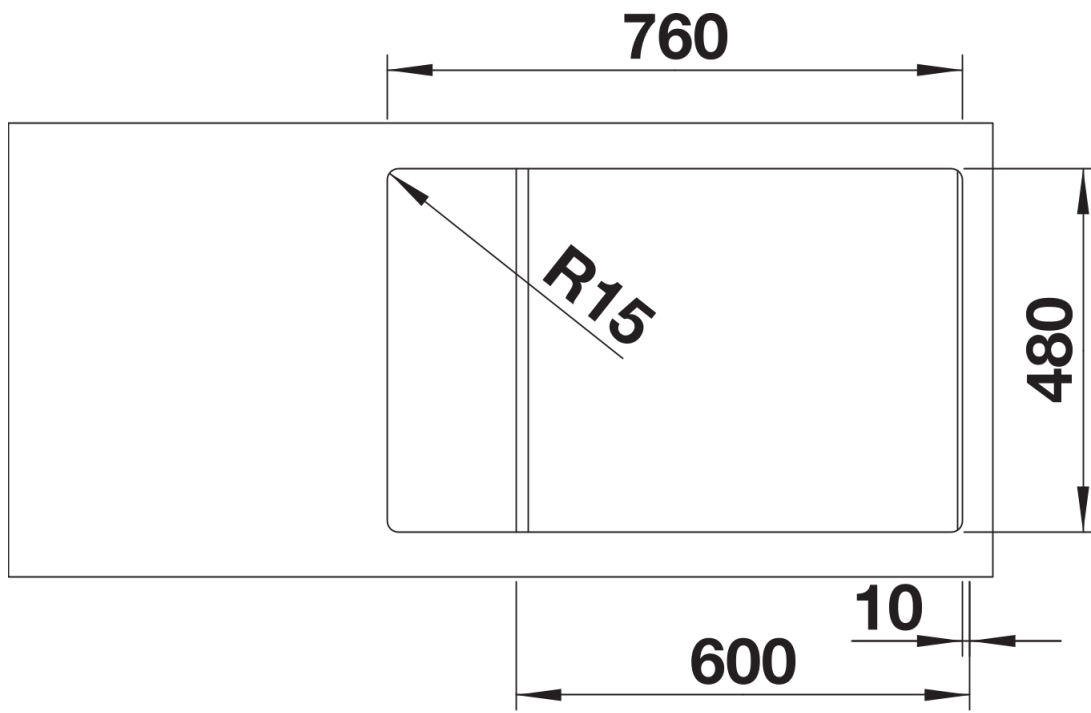
- waste kit with space-saving pipe
- 3 ½" basket strainer

## Details

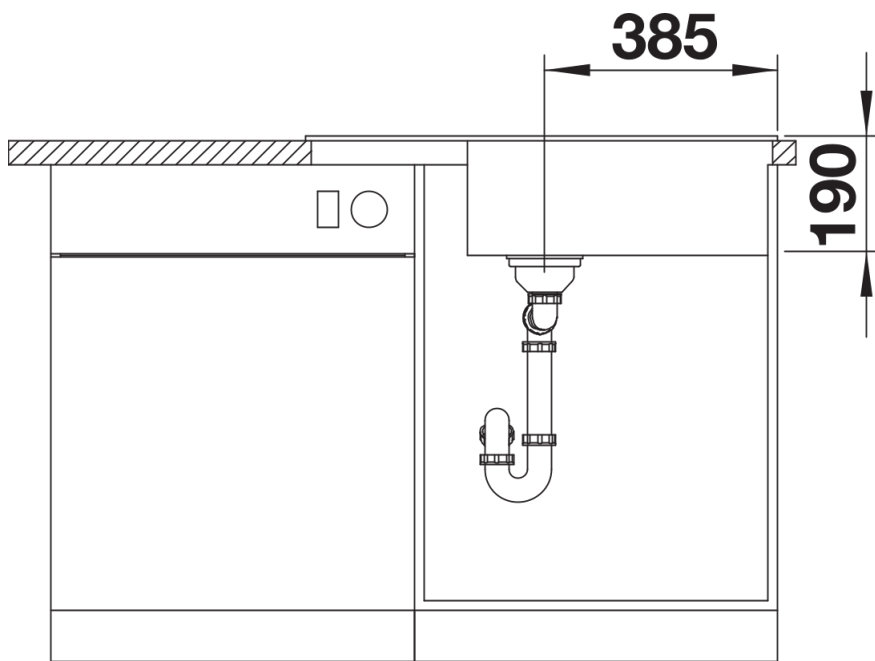
---



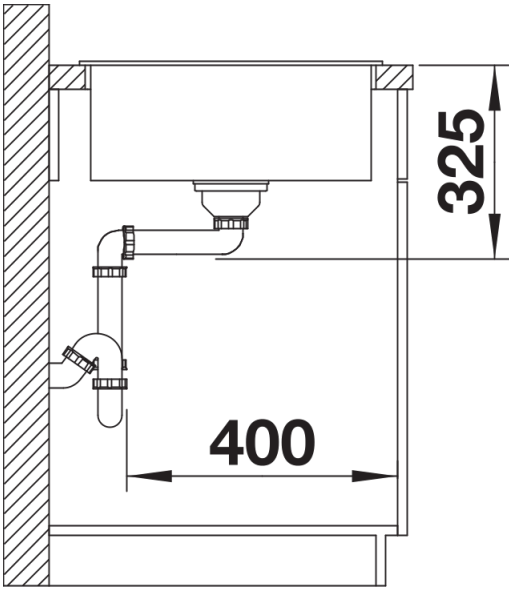
Top view



Cut-out



Front view



Side view