

Product information sheet TIVO-S

Item no. 517648

Benefits



- High spout for easier work at the sink
- Extendable spray with switching function
- Particularly adapted for modern sinks

Colours



Available colours:
chrome

galvanic chrome

Planning information

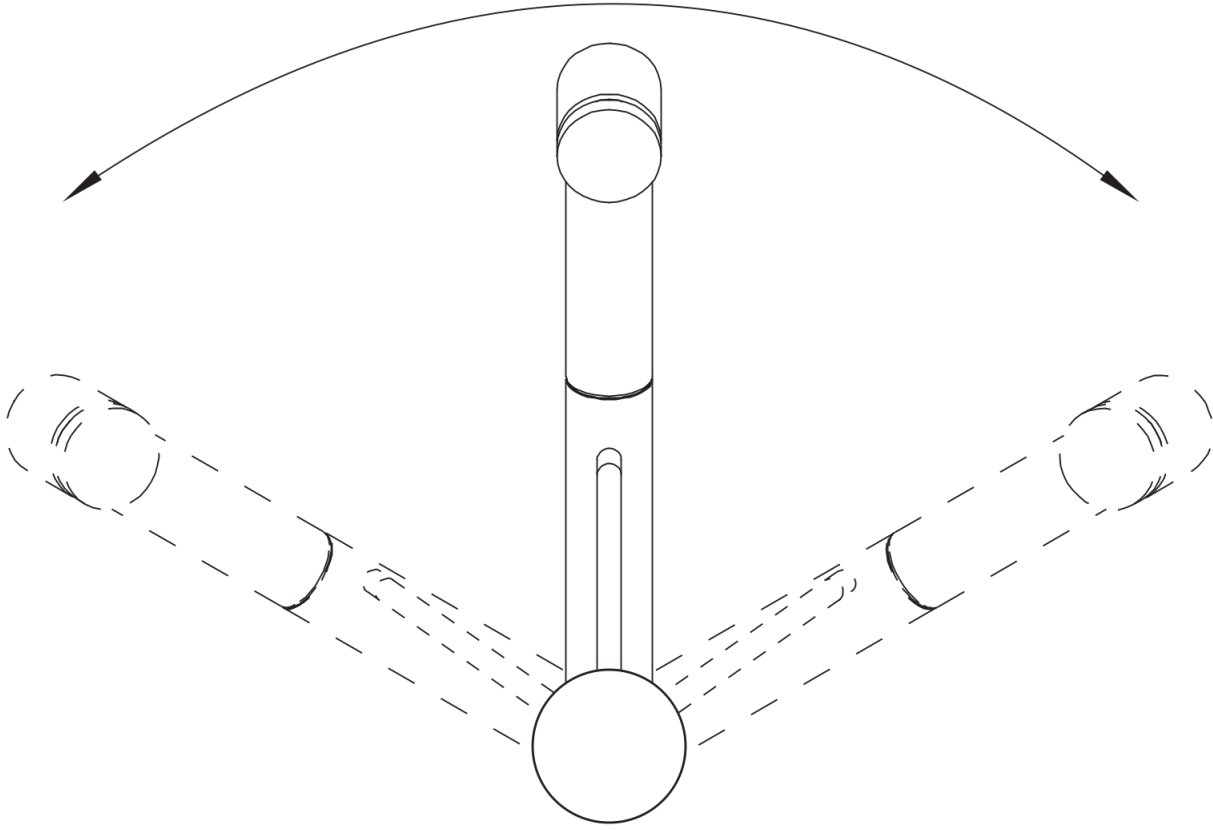
- For ND version with flow rate control to protect the boiler.

Scope of supply

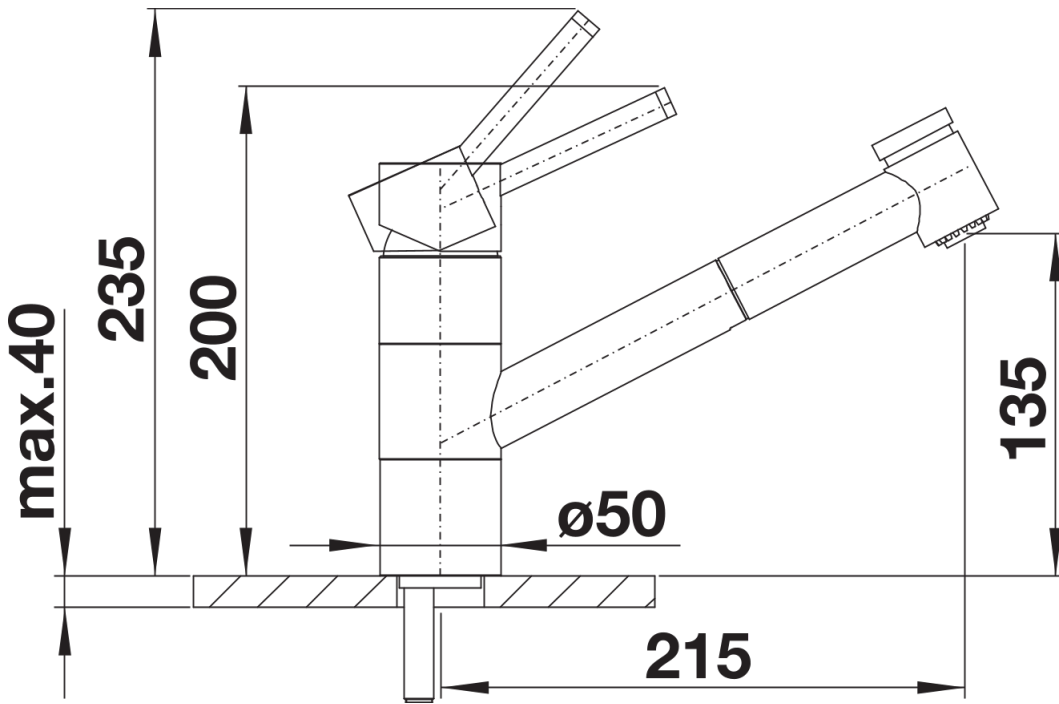
- Spout can be swivelled by 120°
- Ø 35 mm tap hole required
- With ceramic disk cartridge
- Metal-sheathed spray hose
- Flexible connection pipes with a length of 450 mm and $\frac{3}{8}$ " nut for particularly easy and secure installation
- Patented jet regulator for markedly reduced scaling
- Stabilisation plate to increase the stability of the tap when fitted in stainless steel sinks
- With non-return valve and thus guaranteed against reflux in accordance with EN 1717
- LGA approved
- DVGW approved

Details

120°



Swivel range



Side view