

Product information sheet LINEE-S

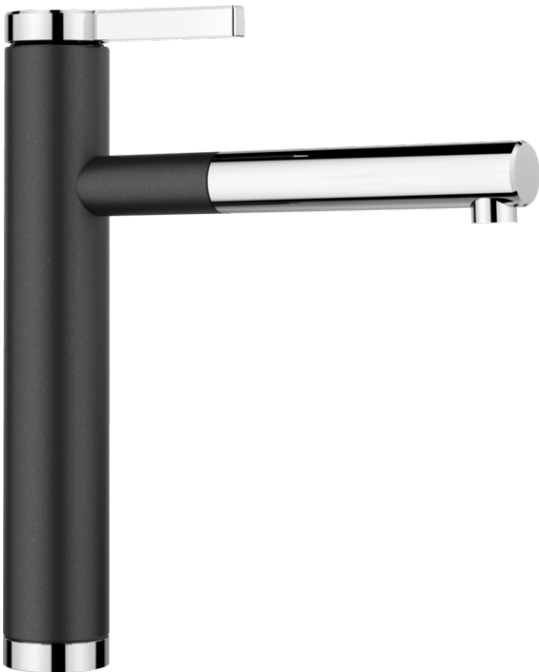
Item no. 518438

Benefits



- Extendable spray in high-quality metal finish
- Silgranit-look colour version matching the Silgranit sinks and bowls

Colours



Available colours:

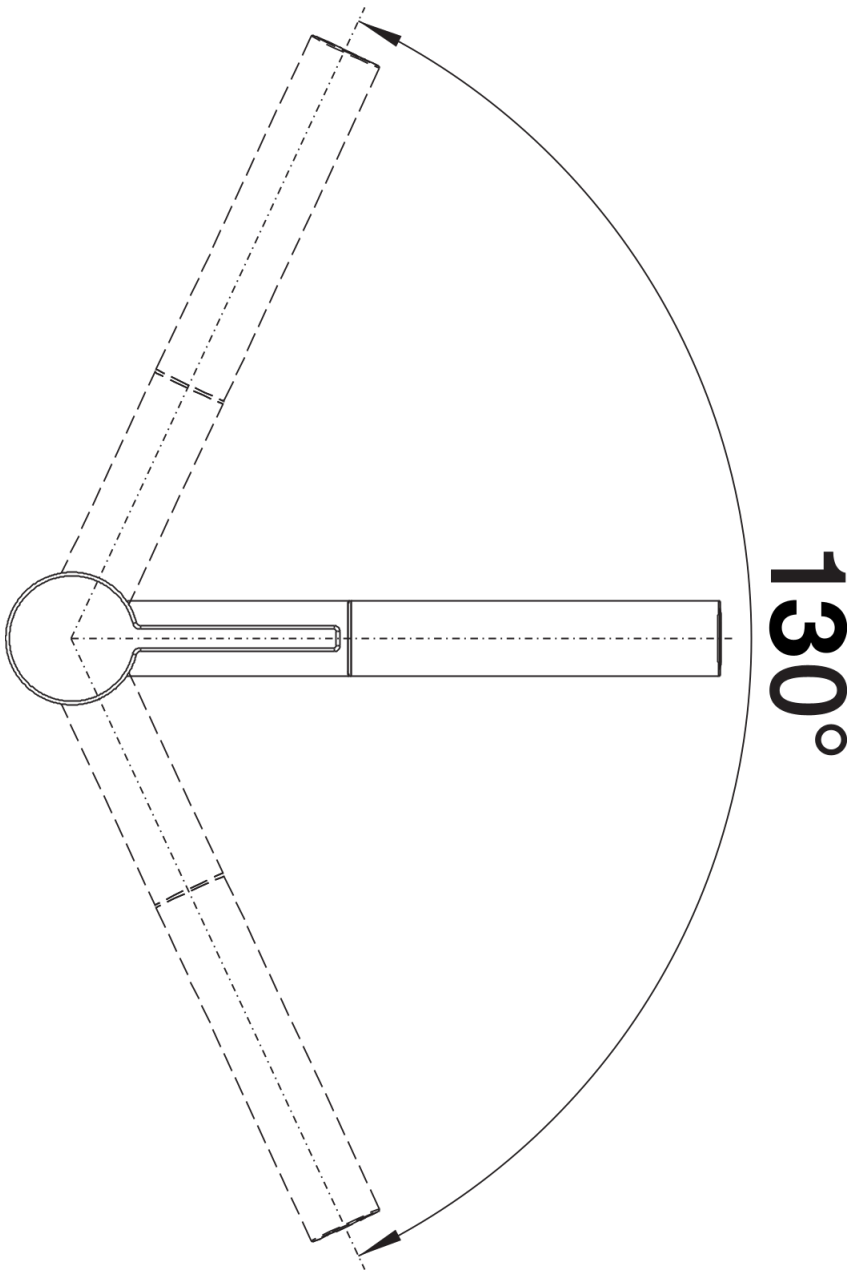
- black/chrome
- anthracite/chrome
- rock grey/chrome
- volcano grey/chrome
- alu metallic/chrome
- white/chrome
- soft white/chrome
- tartufo/chrome
- coffee/chrome

SILGRANIT Look dual finish anthracite/chrome

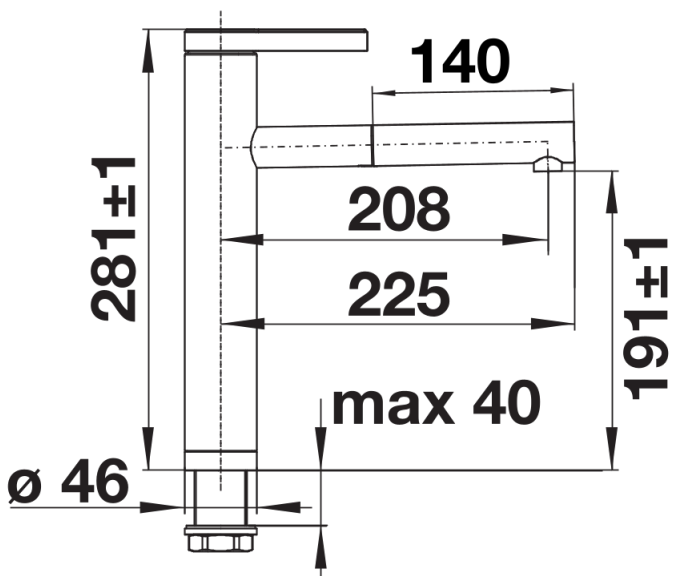
Scope of supply

- Spout can be swivelled by 130°
- Ø 35 mm tap hole required
- With ceramic disk cartridge
- Metal-sheathed spray hose
- Flexible connection pipes with a length of 450 mm and $\frac{3}{8}$ " nut for particularly easy and secure installation
- Patented jet regulator for markedly reduced scaling
- Stabilisation plate to increase the stability of the tap when fitted in stainless steel sinks
- With non-return valve and thus guaranteed against reflux in accordance with EN 1717
- LGA approved
- DVGW approved

Details



Swivel range



Side view