

## Product information sheet LINEE-S

Item no. 517591

### Benefits

---



- Elegant design
- Extendable pull-out spray head
- Top lever for easy access
- Ceramic disc control
- High spout for easy filling of large pans and vases

### Colours

---



Available colours:

chrome

galvanic chrome

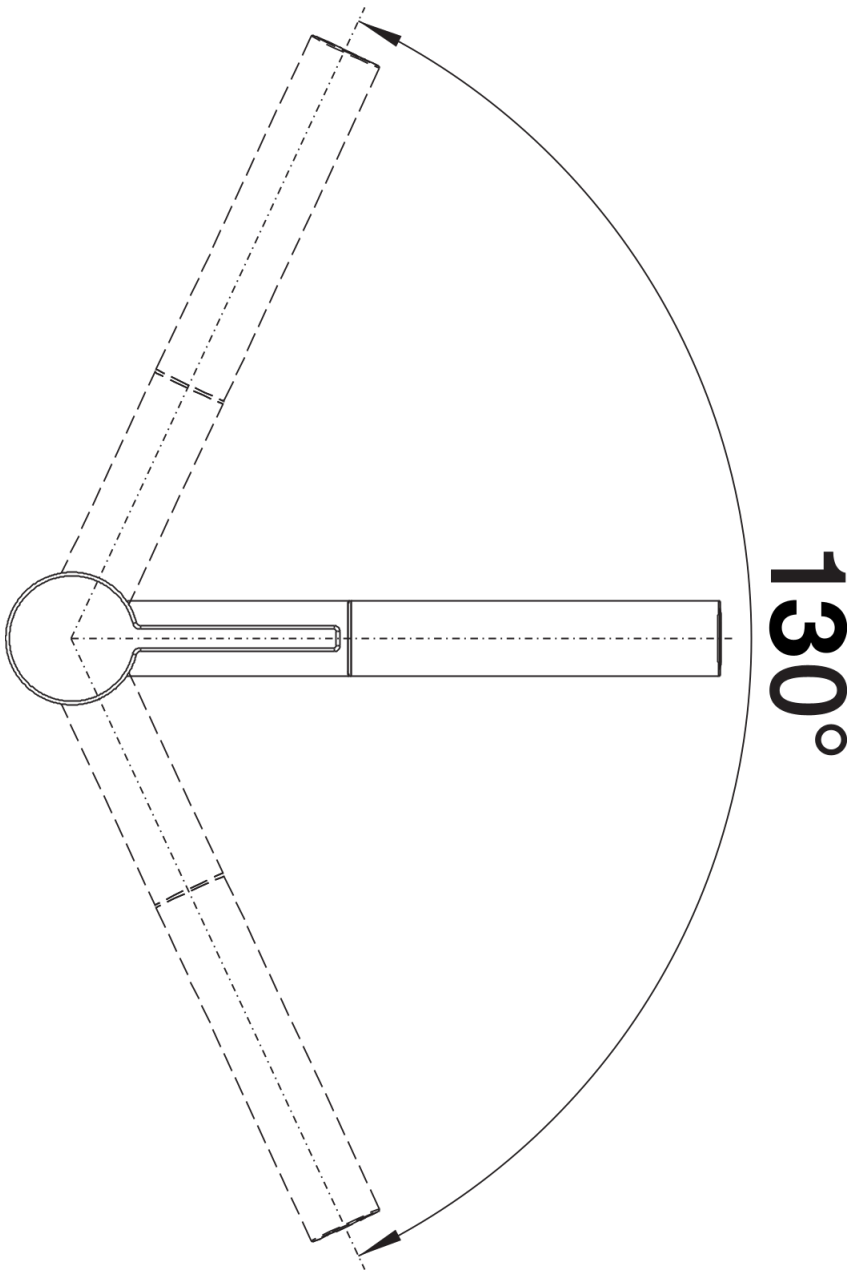
## Scope of supply

---

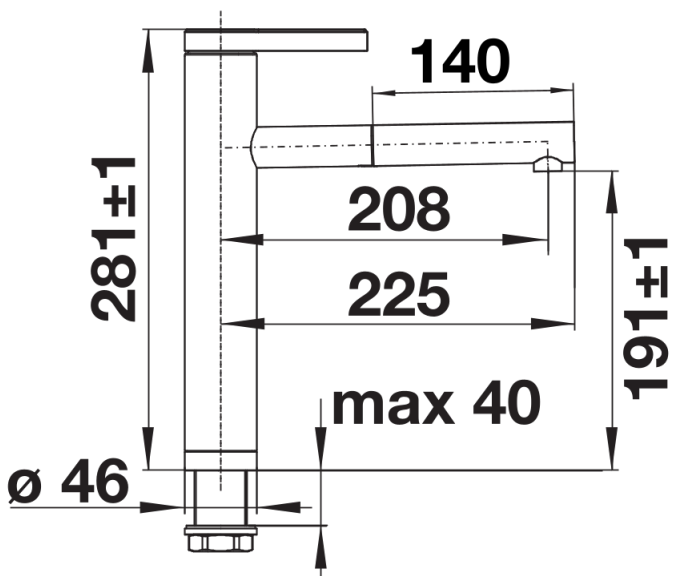
- Spout can be swivelled by 130°
- Ø 35 mm tap hole required
- With ceramic disk cartridge
- Metal-sheathed spray hose
- Flexible connection pipes with a length of 450 mm and  $\frac{3}{8}$ " nut for particularly easy and secure installation
- Patented jet regulator for markedly reduced scaling
- Stabilisation plate to increase the stability of the tap when fitted in stainless steel sinks
- With non-return valve and thus guaranteed against reflux in accordance with EN 1717
- LGA approved
- DVGW approved

## Details

---



Swivel range



Side view