

## Product information sheet LEGRA 45 S

Item no. 526083

### Benefits

---



- Classic lines combined with modern functionality
- Spacious main bowl
- Can be installed reversibly

### Colours

---



Available colours:

- black
- anthracite
- volcano grey
- alu metallic
- white
- soft white
- coffee

SILGRANIT black

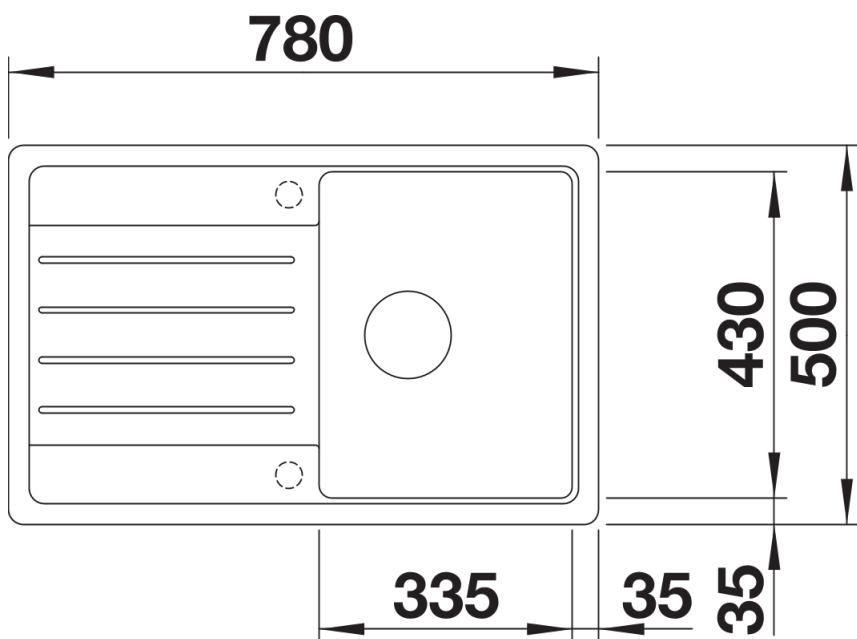
## Scope of supply

---

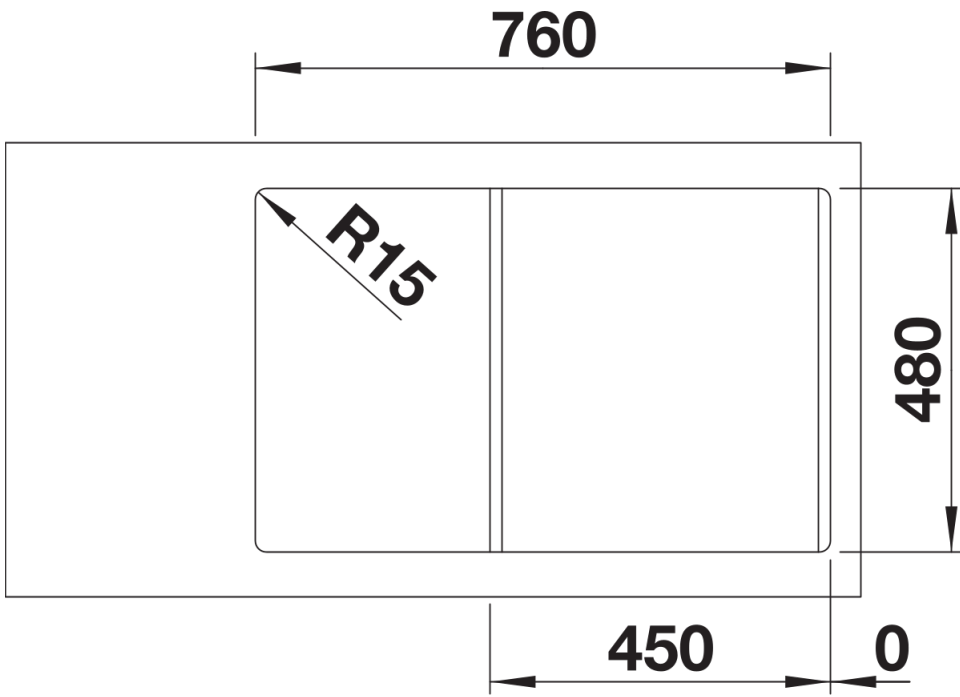
- waste kit with space-saving pipe
- 3 ½" basket strainer

## Details

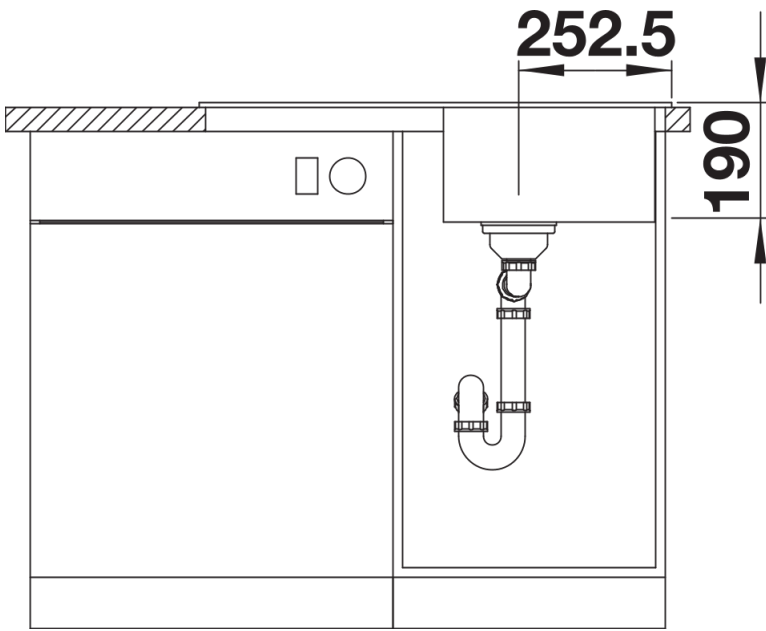
---



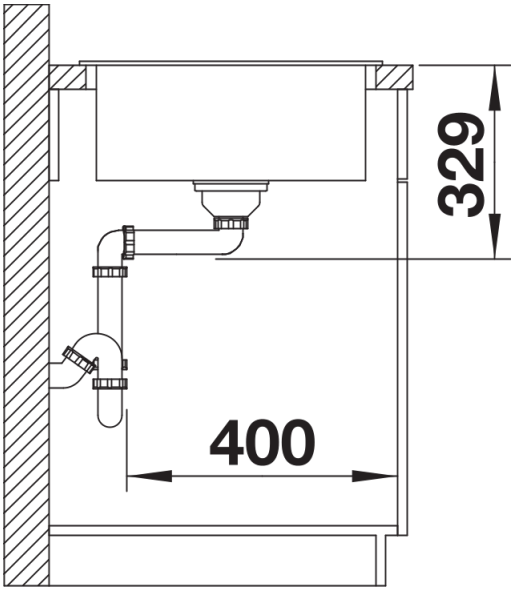
Top view



Cut-out



Front view



Side view