

## Product information sheet FONTAS II Filter

Item no. 523130

### Benefits

---



- Comfortable 3-in-1-mixer tap with cold and warm water lever on the right, filtered water lever on the left
- Separate water circuit with extra spout for filtered water – no mixture with mains water
- Space-saving and practical: with the 3-in-1-tap no additional drilling is required for filtered water supply
- Spout can be swivelled through 360° for greater cover
- Surface finishes to perfectly match sinks and bowls: Colour versions for coloured SILGRANIT models
- Needs to be installed with a water filter system

### Colours

---



Available colours:

- black
- anthracite
- rock grey
- volcano grey
- alu metallic
- white
- soft white
- tartufo
- coffee

SILGRANIT-Look anthracite

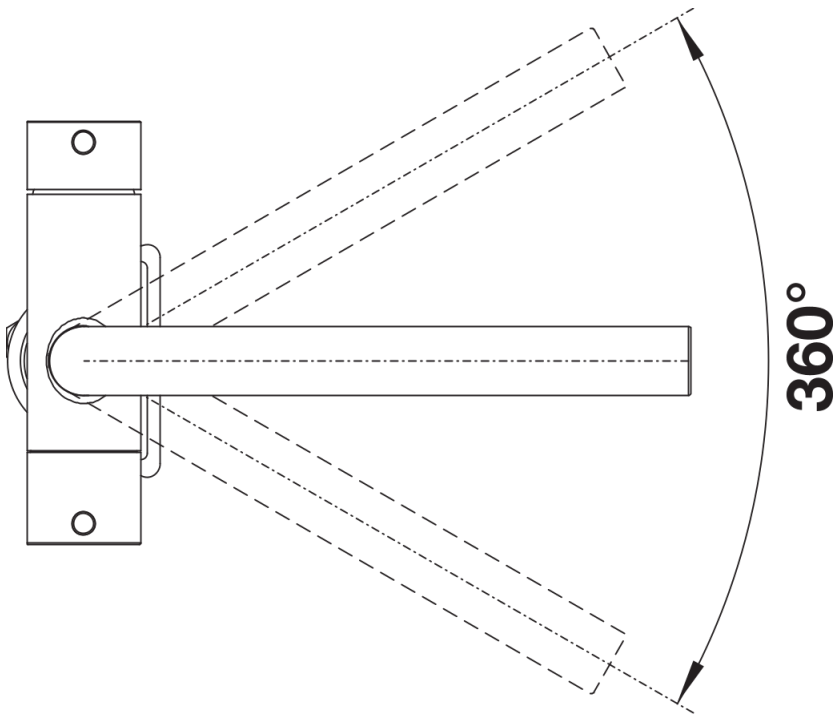
## Scope of supply

---

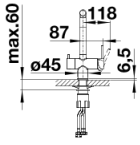
- 360° swivel spout for greater reach
  - Ø 35 mm tap hole required
  - With ceramic disk cartridge
  - Flexible connector pipes, 450 mm long and  $\frac{3}{8}$ " nut for particularly easy and safe installation
  - Patented jet regulator for markedly reduced scaling
  - Stabilisation plate to increase the stability of the tap when fitted in stainless steel sinks
  - LGA approved
- Filter system not included.

## Details

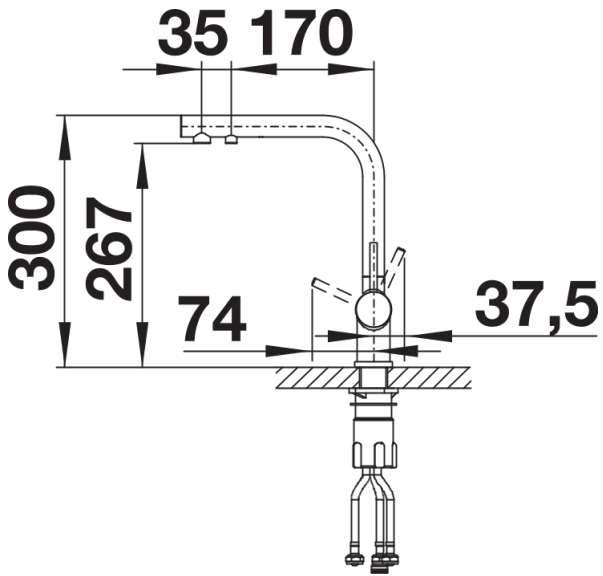
---



Swivel range



Side view hand gear 2D



Side view