

Basic set for single lever bath mixer for concealed installation

Finish: n.a. Article Number: 31741180



Description

product features

- connection dimension: DN15
- ceramic cartridge
- temperature limitation adjustable
- minimum mounting depth: 55 mm
- maximum mounting depth: 83 mm

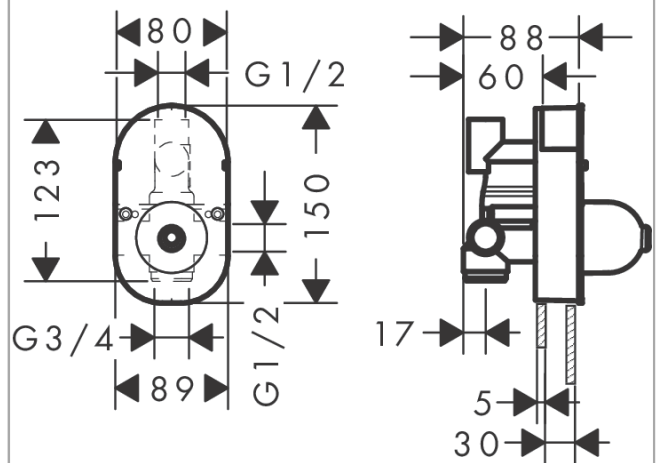
Certificates / Sustainability



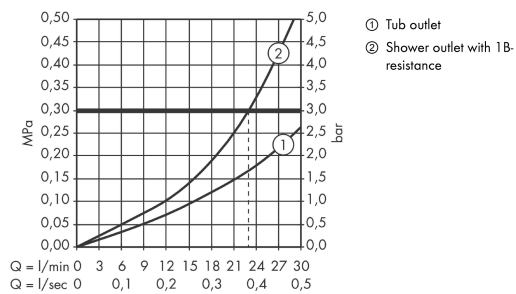
Product image



Scale drawing



Flowchart

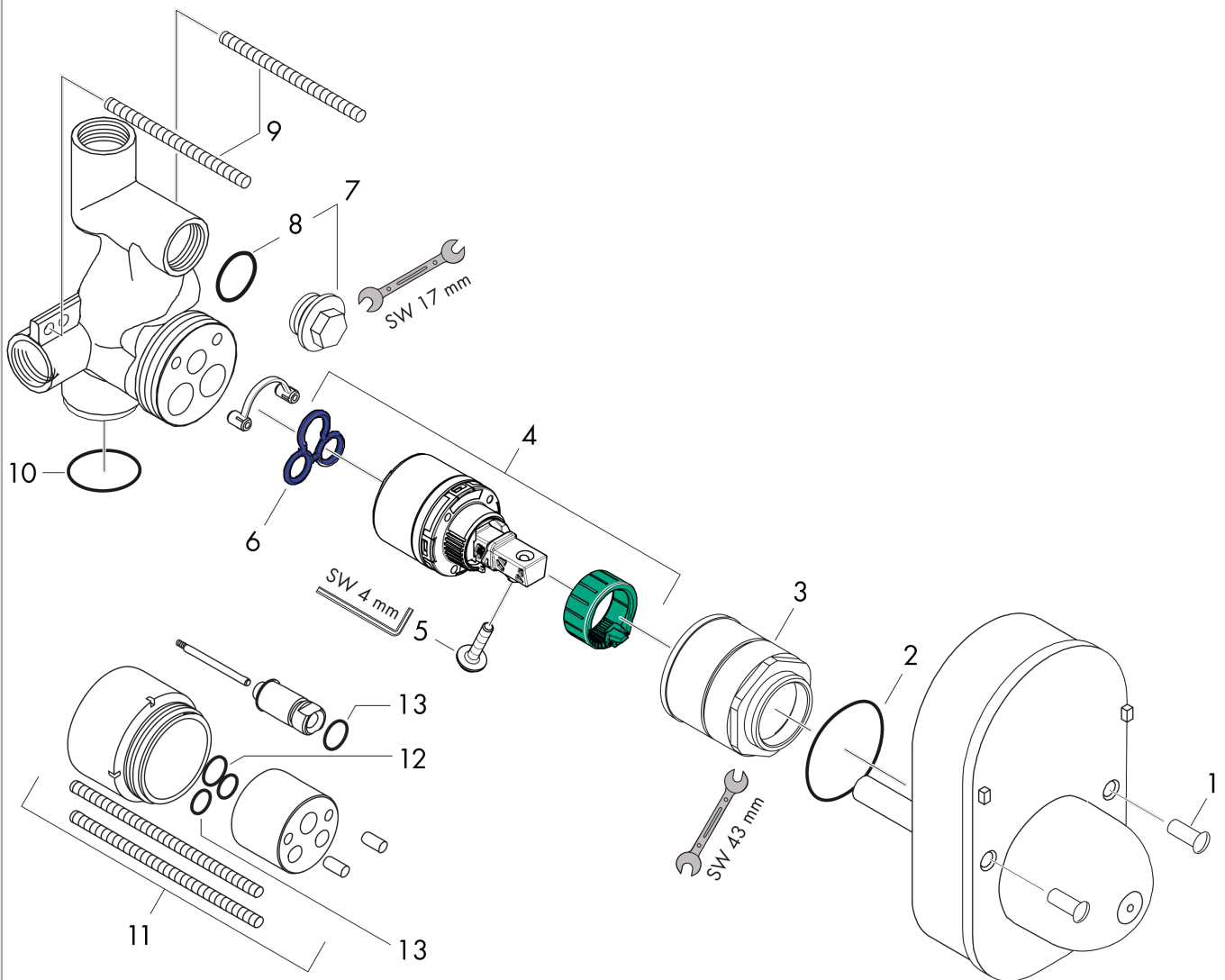


Basic set for single lever bath mixer for concealed installation
 Finish: n.a. Article Number: 31741180



Exploded Drawing

Year of production: >01/18



Basic set for single lever bath mixer for concealed installationFinish: n.a. Article Number: **31741180****Spare part list**

Year of production: >01/18

Pos.	Description	Article Number	PC	PU
1	hollow screw	96065000	2	1
2	O-ring 43x1,5	98148000	1	1
3	nut	95007000	10	1
4	cartridge, assy	92730000	11	1
5	locking screw for handle	95140000	2	1
6	seal	95008000	3	1
7	plug	97222000	6	1
8	O-ring 16x2,5	98134000	1	1
9	screw M5 x 75	97553000	2	1
10	O-ring 30x3	98152000	1	1
11	extension set 28 mm tub mixer	32498000	16	1
12	O-ring 10x1,5	98123000	1	1
13	O-ring 12x1,5	98430000	1	1