

Raindance E

Overhead shower 300 1jet EcoSmart 9 l/min with shower arm

Finish: **Chrome** Article Number: **26239000**



Description

product features

- consists of: overhead shower, shower arm
- shower head size: 300 x 300 mm
- spray type: RainAir
- ball-joint: overhead shower angle adjustable
- material spray disc: metal
- shower arm length 390 mm
- maximum flow rate at 3 bar: 7,4 l/min
- flow rate RainAir spray (at 3 bar): 7,4 l/min
- function from: 5,7 l/min
- minimum flow pressure: 1,3 bar
- spray disc removable for cleaning
- installation: wall
- connection thread G 1/2
- connection dimension: DN15
- suitable for continuous flow water heaters

Technology



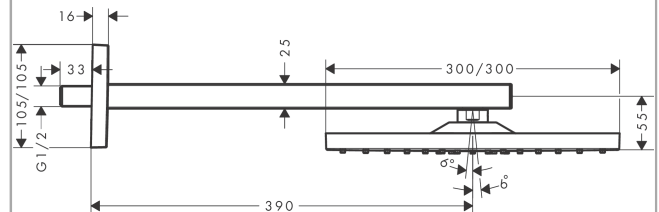
Certificates / Sustainability



Product image



Scale drawing



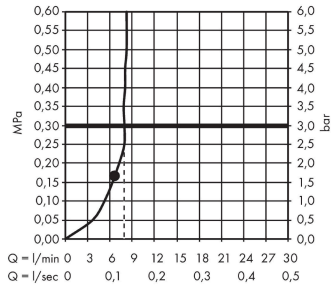
Raindance E

Overhead shower 300 1jet EcoSmart 9 l/min with shower arm

Finish: **Chrome** Article Number: **26239000**



Flowchart



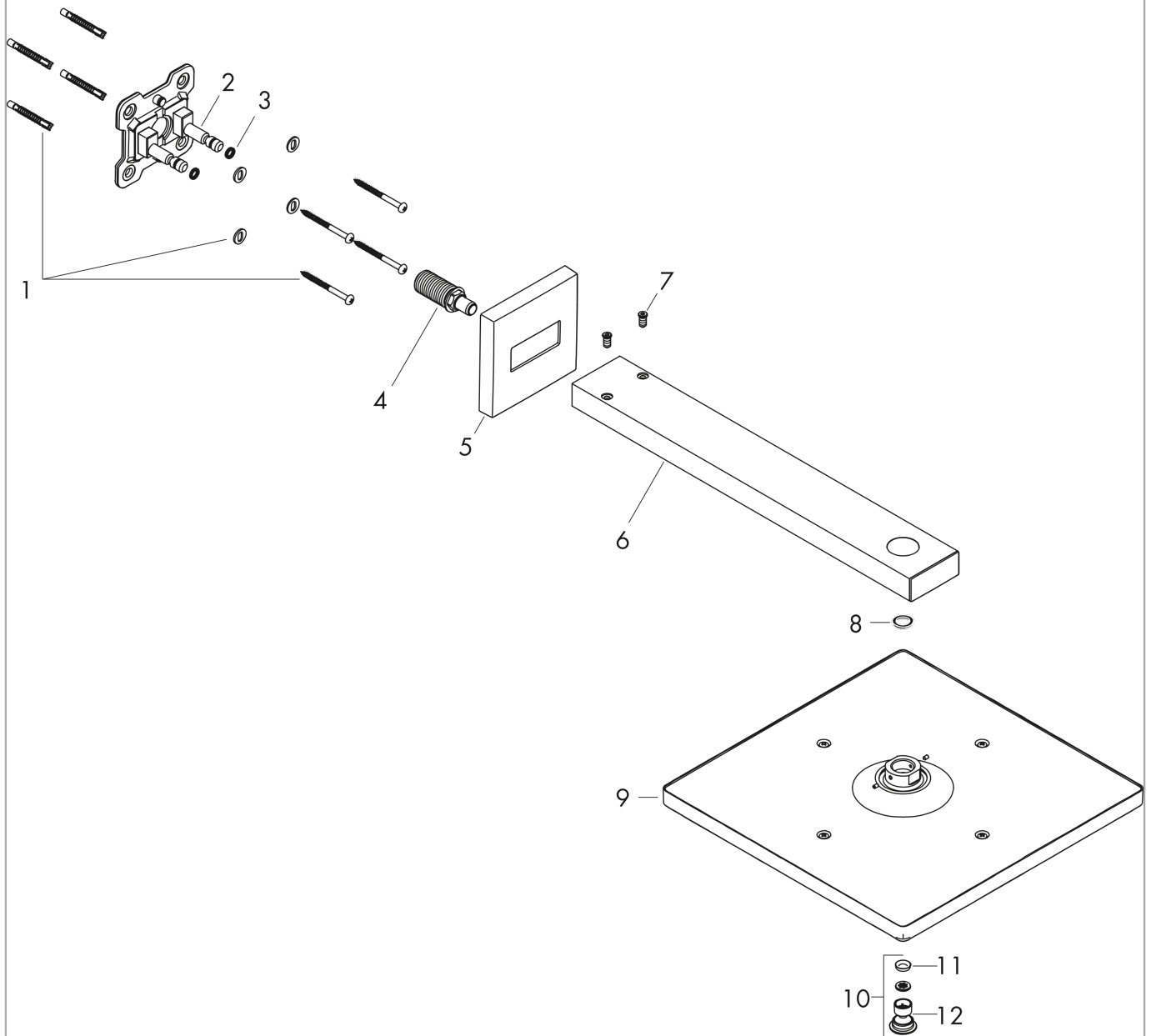
The consumption was measured in combination with the appropriate fittings (thermostat/mixer/in-wall valve) to reflect actual application in practice.

Raindance E
Overhead shower 300 1jet EcoSmart 9 l/min with shower arm
 Finish: **Chrome** Article Number: **26239000**



Exploded Drawing

Year of production: >10/17



Raindance E

Overhead shower 300 1jet EcoSmart 9 l/min with shower arm

Finish: **Chrome** Article Number: **26239000**



Spare part list

Year of production: >10/17

Pos.	Description	Article Number	PC	PU
1	mounting set	96179000	4	1
2	wall flange	93441000	11	1
3	O-ring 6x2	98458000	1	1
4	connecting thread	93416000	10	1
5	escutcheon	93126000	9	1
6	shower arm	93221000	18	1
7	screw	93431000	3	1
8	seal	98058000	1	1
9	head shower	93220000	21	1
10	air jet (Eco)	93137000	7	1
11	filter	93128000	3	1
12	O-ring 15x2	98163000	1	1