

## Product information sheet KANO

Item no. 525028

### Benefits

---



- Slim tap in aesthetic design
- Especially suitable for compact sinks
- Spout can be swivelled through 360° for greater reach
- Colour version for a perfect match with SILGRANIT sinks and bowls

### Colours

---



Available colours:

- black/chrome
- anthracite/chrome
- volcano grey/chrome
- alu metallic/chrome
- white/chrome
- soft white/chrome
- coffee/chrome

SILGRANIT Look dual finish anthracite/chrome

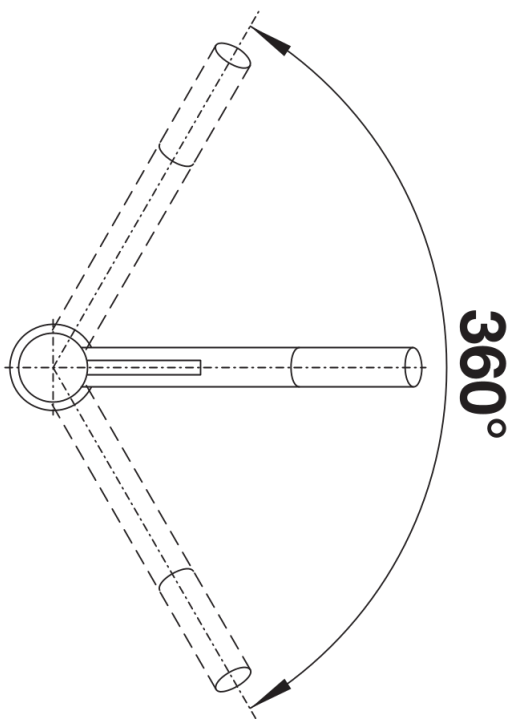
## Scope of supply

---

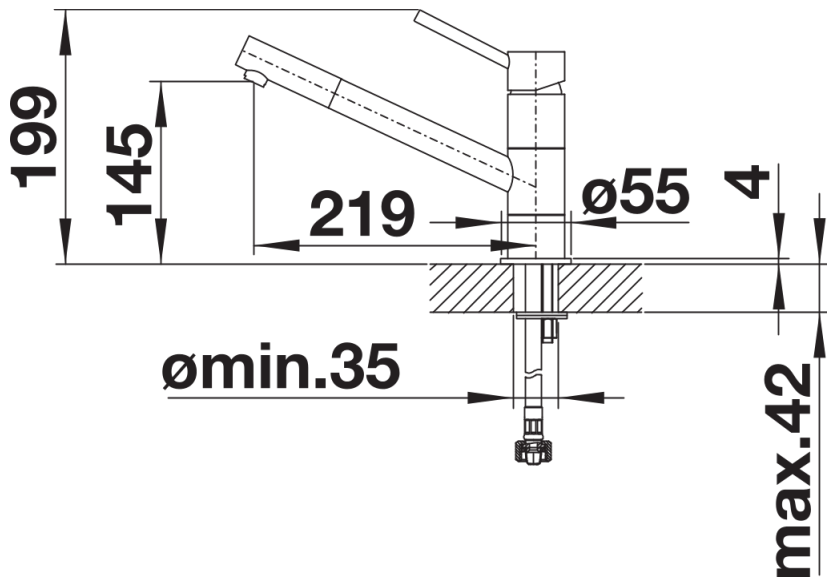
- 360° swivel spout for greater reach
- Ø 35 mm tap hole required
- With ceramic disk cartridge
- Flexible 350 mm connector pipes and  $\frac{3}{8}$ " nut for particularly easy and secure installation
- Patented jet regulator for markedly reduced scaling
- Stabilisation plate to increase the stability of the tap when fitted in stainless steel sinks

## Details

---



Swivel range



Side view