

Product information sheet VIU-S

Item no. 524813

Benefits



- Modern and compact mixer tap with a flexible spray hose
- Exchangeable hose cover in four vivid colours
- Convenient and safe docking of the spray hose
- Lateral lever set to cold start for added energy savings
- Pleasant and concise water spray

Colours



Available colours:

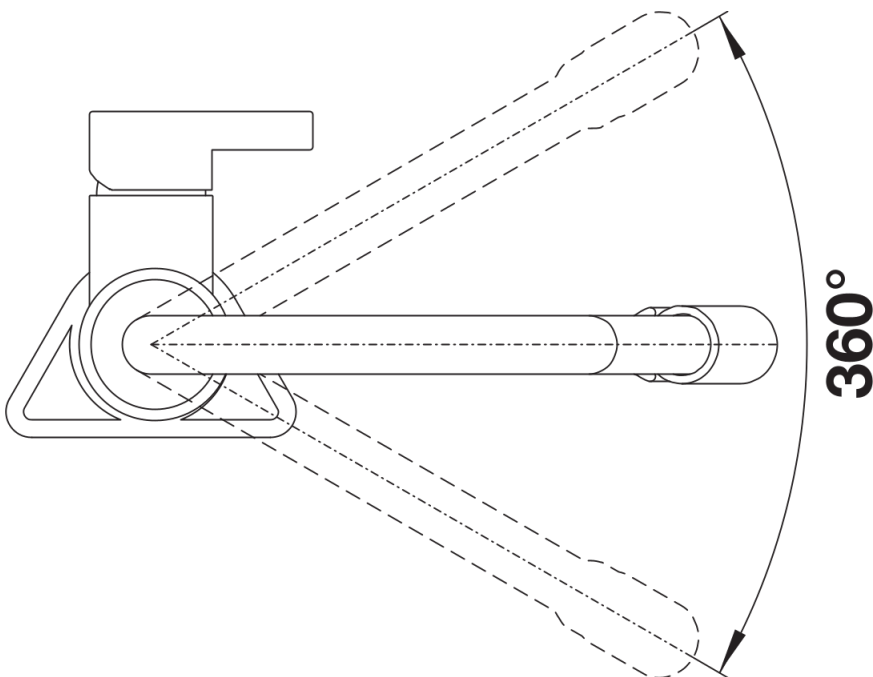
chrome

galvanic chrome

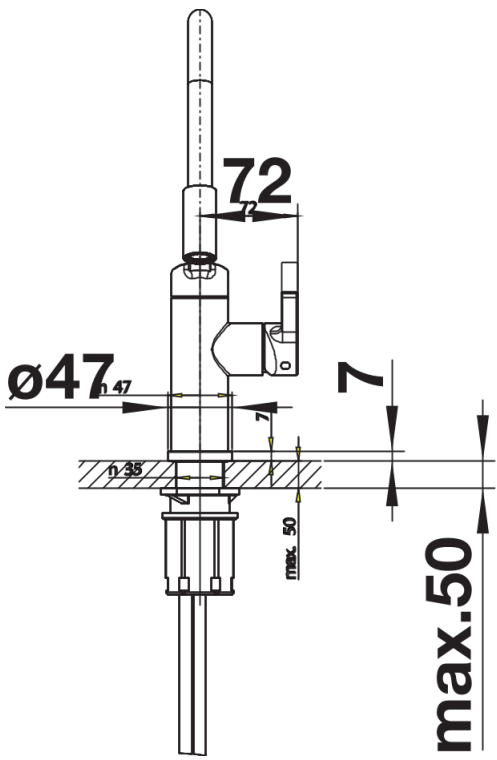
Scope of supply

- Includes four exchangeable hose covers: kiwi, orange, lemon and lava grey (pre-installed)
- 360° swivel spout for greater reach
- Ø 35 mm tap hole required
- With ceramic disk cartridge
- Textile covered spray hose
- Flexible connector pipes, 450 mm long and $\frac{3}{8}$ " nut for particularly easy and safe installation
- Patented jet regulator for markedly reduced scaling
- Stabilisation plate to increase the stability of the tap when fitted in stainless steel sinks
- LGA certified
- Planned for DVGW certificate

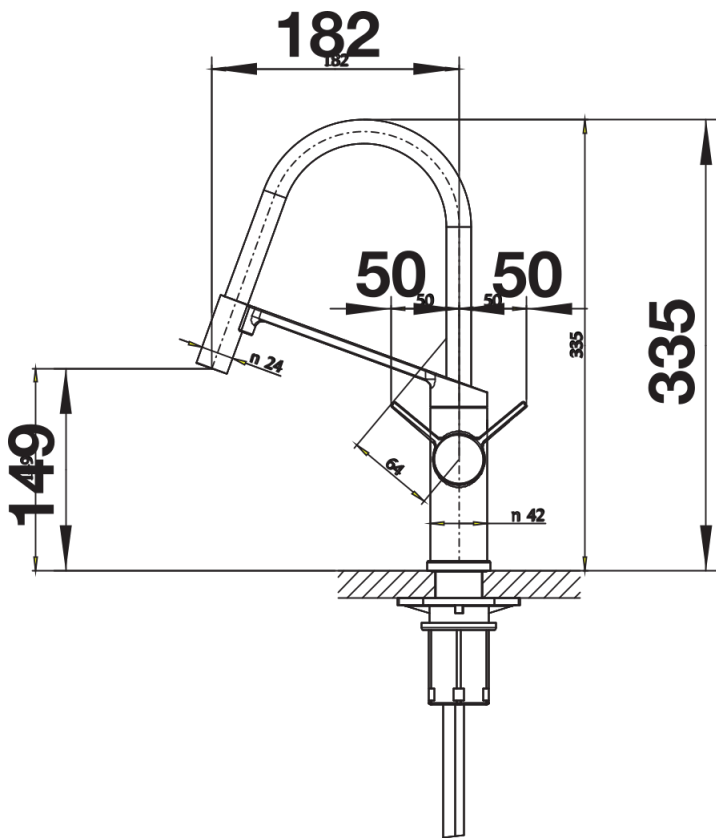
Details



Swivel range



Side view hand gear 2D



Side view