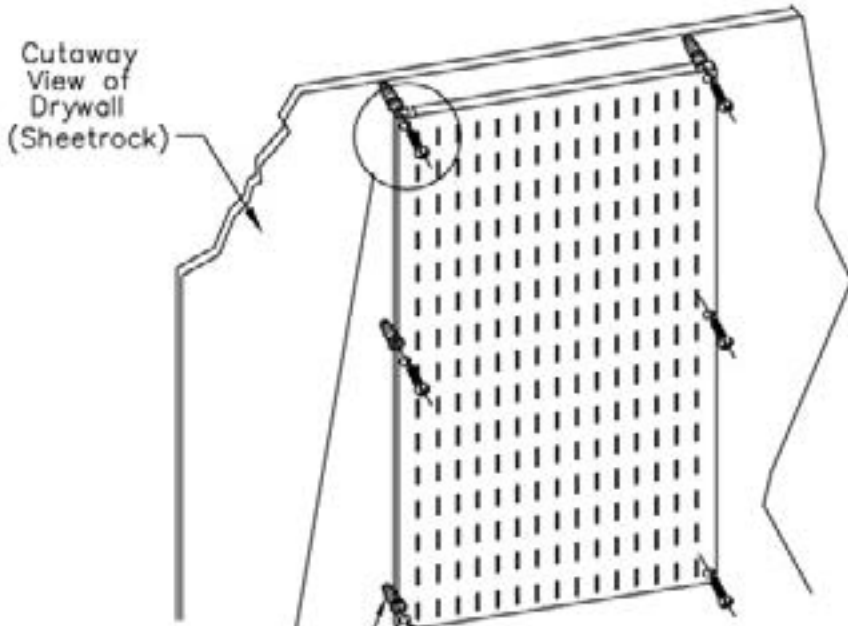


Panels into Drywall



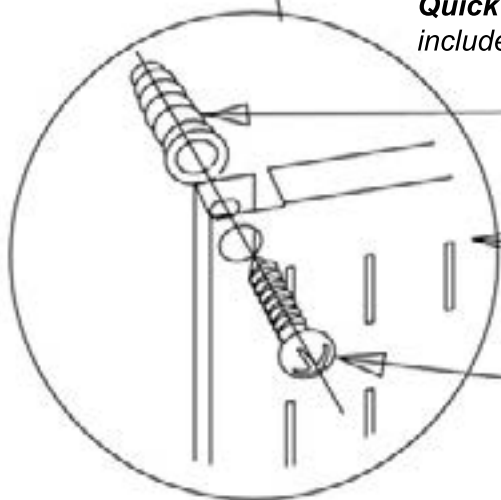
Warning: Due to sheet metal edges Wall Control strongly recommends the use of gloves while installing metal pegboard panels

Slots should be vertical for use with Wall Control Accessories

On all holes where a stud or solid framing is not accessible, use the plastic drywall anchors provided.

Mark the hole position and drill a 1/4" hole to accommodate the anchor provided

Quick Tip: Stripping out the mounting holes in drywall with the screws included create a perfect sized hole to hammer the provided anchors into



Plastic wall anchor (provided) inserted into sheetrock

Panel Face

Mounting screw (provided) passes through panel face to mount flush with return flange and wall or flat surface into stud, anchor, or other backing

