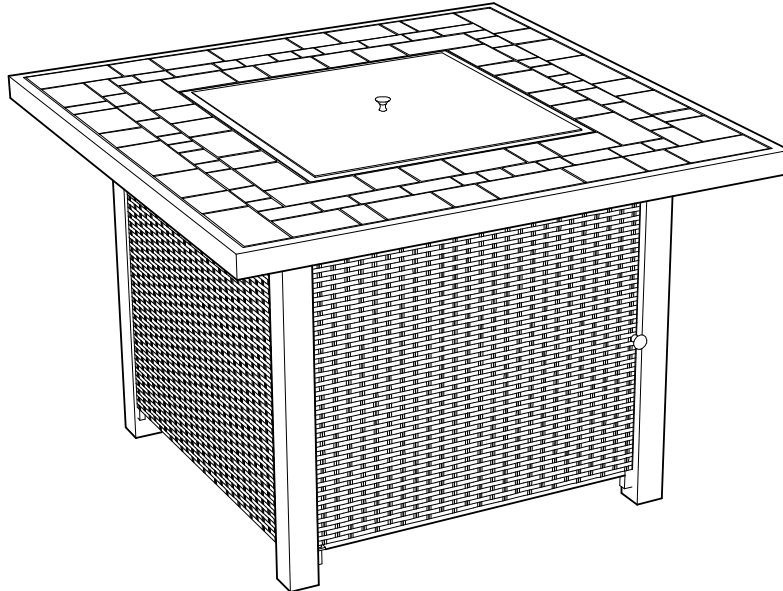


ITEM/Article #: A208020000



**WE HAVE YOU IN MIND, LET US SERVE YOU!
Nous pensons en vous, laissez nous vous aider!**

Questions? Issues? / Questions? Problèmes?

CONTACT US / Contactez-nous

24 hours / 7 days a week



Warranty Parts
Liste des pièces
sous garantie

www.sunjoyonline.com



customer.care@sunjoygroup.com



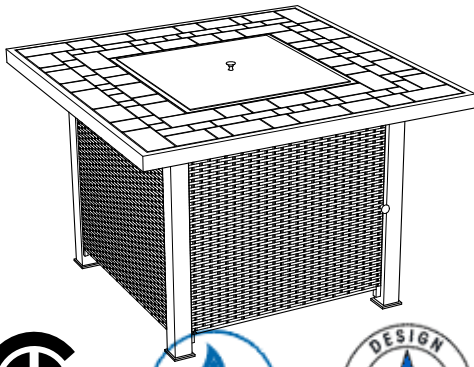
A20802000022

Country of Origin: China

Production Number: XXXXXXXXXX

⚠ WARNING: For Outdoor Use Only.
 Installation and service must be performed by a qualified installer, service agency, or the gas supplier.

INSTALLER: Leave this manual with the appliance.
CONSUMER: Retain this manual for future reference.



Propane cylinder required (not included)
 1 AA 1.5V battery required (not included)

**⚠ DANGER
 FIRE OR EXPLOSION HAZARD**

If you smell gas:

1. Shut off gas to the appliance.
2. Extinguish any open flame.
3. If odor continues, leave the area immediately
4. After leaving the area, call your gas supplier or fire department.

Failure to follow these instructions could result in fire or explosion, which could cause property damage, personal injury, or death.

⚠ WARNING: If the information in this manual is not followed exactly, a fire or explosion may result causing property damage, personal injury, or loss of life.

⚠ WARNING

Do not store or use gasoline, or other flammable vapors and liquids, in the vicinity of this or any other appliance.
 An LP-cylinder not connected for use shall not be stored in the vicinity of this or any other appliance.

⚠ DANGER

CARBON MONOXIDE HAZARD



This appliance can produce carbon monoxide which has no odor. Using it in an enclosed space can kill you.
 Never use this appliance in an enclosed space such as a camper, tent, car or home.

This appliance complies with "ANSI Z21.97-2017/CSA 2.41-2017, Outdoor Decorative Gas Appliances.

IMPORTANT, RETAIN FOR FUTURE REFERENCE: READ CAREFULLY

For Outdoor Use only. Not for Commercial Use.

TABLE OF CONTENTS

General information	2
Specification.....	3
Important safety information and precaution.....	3-4
Expanded view.....	5
Parts list.....	6-7
Installation.....	8-14
Location.....	15
Set up.....	15
Gas connection	15
Operation.....	16
Leak check.....	16
Ignite lighting.....	16-17
Storage and Maintenance.....	17
Trouble shooting	18
Limited warranty.....	18

WARNING : Failure to position the parts in accordance with these diagrams or use only parts specifically approved with this appliance may result in property damage or personal injury.

WARNING: This product can expose you to Carbon Monoxide, which is known to the State of California to cause birth defects or other reproductive harm. For more information go to www.P65Warnings.ca.gov

GENERAL INFORMATION

IMPORTANT

Please take time to read these instructions thoroughly and follow each step carefully for safe and easy operation. Keep this manual to consumer for installer and consumer future reference/use.

We would like to hear from you with any comments or suggestions. In the continental U.S. You can also send us an email to customs.care@sunjoygroup.com

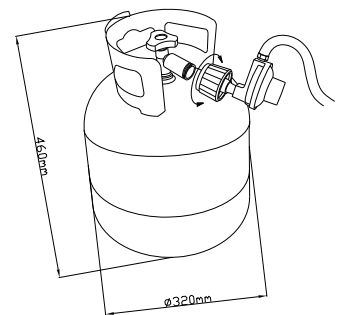
SPECIFICATION

Product name	Augusta Tile Top Fire Pit Table
Model NO.	A208020000
Rated Heat Output	37,000BTU/HR
Fuel	Propane-LP
Gas Supply	20 lb. LP-Gas cylinder
Manifold Pressure	11 Inches W.C.
Orifice Size (diameter)	1.9mm
Gas Supply Pressure	Max.250 PSI Min.25 PSI

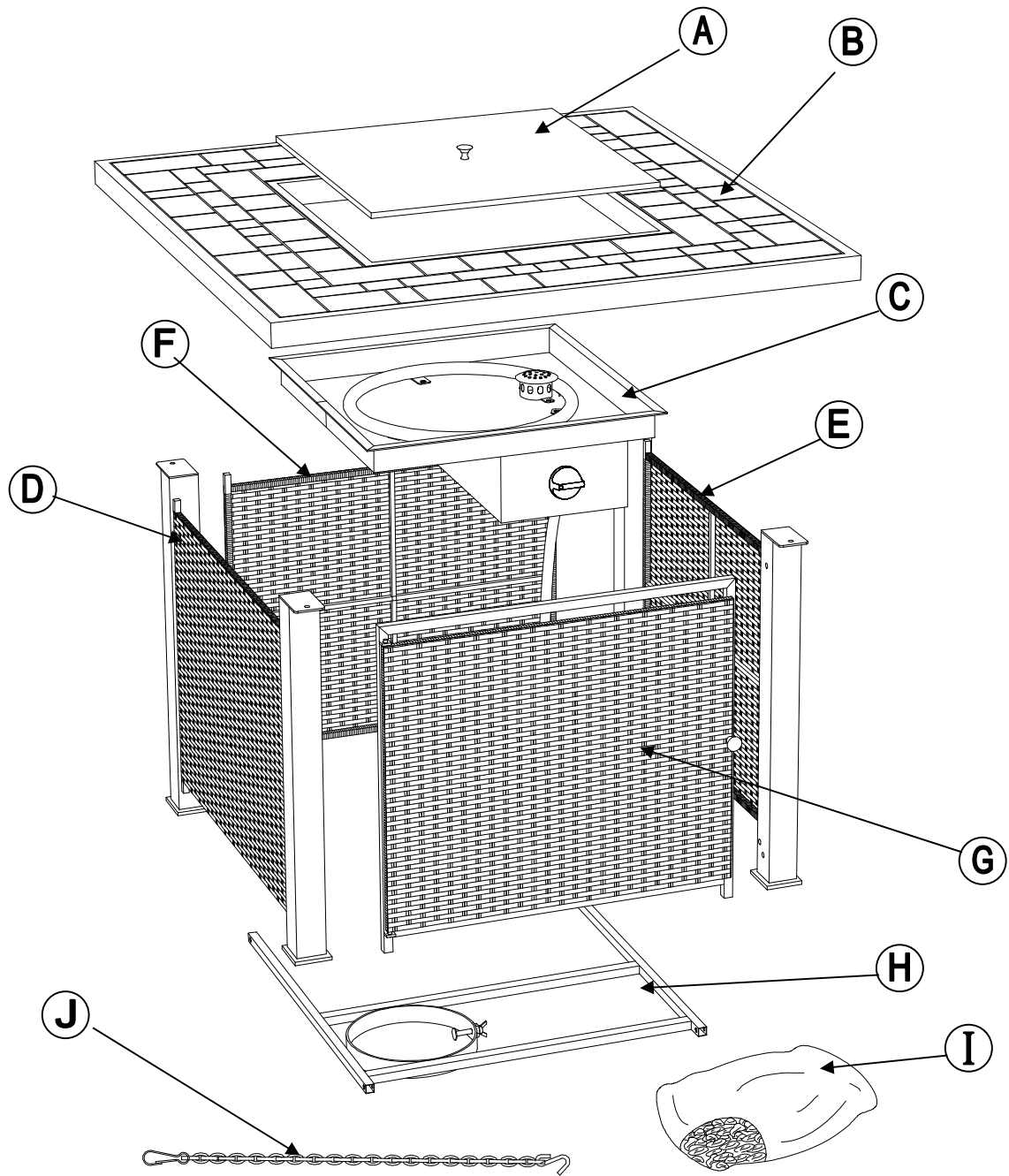
IMPROTANT SAFETY INFORMATION AND PRECAUTION

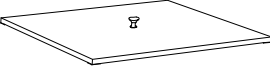
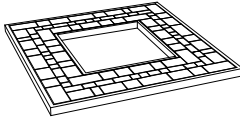
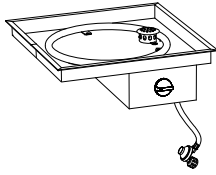
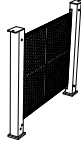

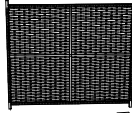
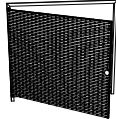
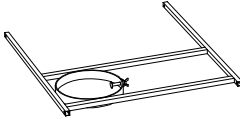


- The installation must conform with local codes, or in the absences of local codes with the *National Fuel Gas Code, ANSI Z223.1/NFPA54*; International Fuel Gas Code, Natural Gas and Propane Installation Code, CSA B149.1; or Propane Storage and Handling Code, B149.2, as applicable.
- The LP gas supply cylinder to be used must be:
 - 1- Constructed and marked in accordance with the U.S. Department of Transportation (D.O.T.) Specifications for LP-Gas Cylinders, or the Standard for Cylinders, Spheres and Tubes for transportation of Dangerous Goods and Commission, CAN/CSA-B339 as applicable;
 - 2- Provided with a listed overfilling prevention device;
 - 3- Provided with a cylinder connection device compatible with the connection for the appliance.
- Always place the appliance on a firm and level surface.
- Solid fuels shall not be burned in this gas appliance. When using decorative Lava Rocks, use only Lava Rocks (INCLUDED).
- The appliance shall be used only outdoors in a well-ventilated space and shall not be used in a building, garage or any other enclosed area.
- When in use, keep the appliance area clear and at least 40 in / 101.6 cm side, back and top clearance from combustibile materials, gasoline and other flammable liquid and vapors. Do not use the appliance under overhead combustibile surfaces. Certain items or materials, when stored under the appliance or nearby, will be subjected to radiant heat and could be damaged.
- Open the door and inspect the hose assembly and burner prior to each use. If there is evidence of excessive abrasion or wear or if the hose or burner is damaged, it must be replaced by appropriate part from the manufacturer.
- Inspect the gas connections of the appliance prior to each use. Do not to operate the unit if there is a gas leak. Have the appliance inspected annually by a qualified service person.

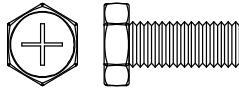
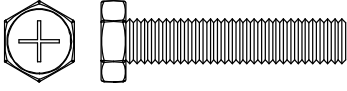
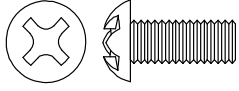
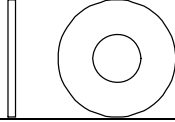

- The pressure regulator and hose assembly provided with the appliance must be used. The replacement part must be the same as the part specified by manufacturer.
- The assembly of LP-gas and leak checking please refer to the “Gas connection” on page 15 and “leak Test” on page 16.
- **Children and adults should be alerted to the hazards of high surface temperatures and should stay away to avoid burns or prevent clothing ignition.**
- **Young children and pets should be carefully supervised when they are in the area of the appliance.**
- **Any guard or other protective device removed for servicing the appliance must be replaced prior to operation.**
- **Clothing or other flammable materials should not be hung from the appliance or placed on or near the appliance.**
- Do not use the appliance if any part has been under water. Immediately call a qualified technician to inspect the appliance and to replace any part of the control system and any gas control which has been under water.
- LP-gas supply cylinder to be used must be constructed and marked in accordance with the specifications for LP-gas cylinders of the U.S. Department of Transportation (DOT).
- The cylinder supplies system must be arranged for vapor withdrawal and the cylinder must include a collar to protect the cylinder valve.
- Use only 20 lb / 9 kg LP-Gas cylinders.
- Do not burn wood or any other materials in this appliance.
- The appliance must be isolated from the gas supply piping system by closing its individual manual shutoff valve during any pressure testing of the gas supply piping system at test pressure equal to or less than 1/2psi (3.5kPa).
- That other cylinder may be acceptable for use with the appliance provided they are compatible with the appliance retention means and accompanied by illustration(s) depicting the cylinder mounted to the appliance utilizing the cylinder retention means and the point of contact between the cylinder and the retention means.
- Properly place the hose out of pathways where people may trip over it or in areas where there may be subject to accidental damage.
- The burner must be replaced prior to the appliance being put into operation if it is evident that the burner is damaged. The replacement burner must be the same as the part specified by manufacturer.
- The cleaning of the appliance including the burner, please refer to “Storage and Maintenance” on page 17.



EXPANDED VIEW

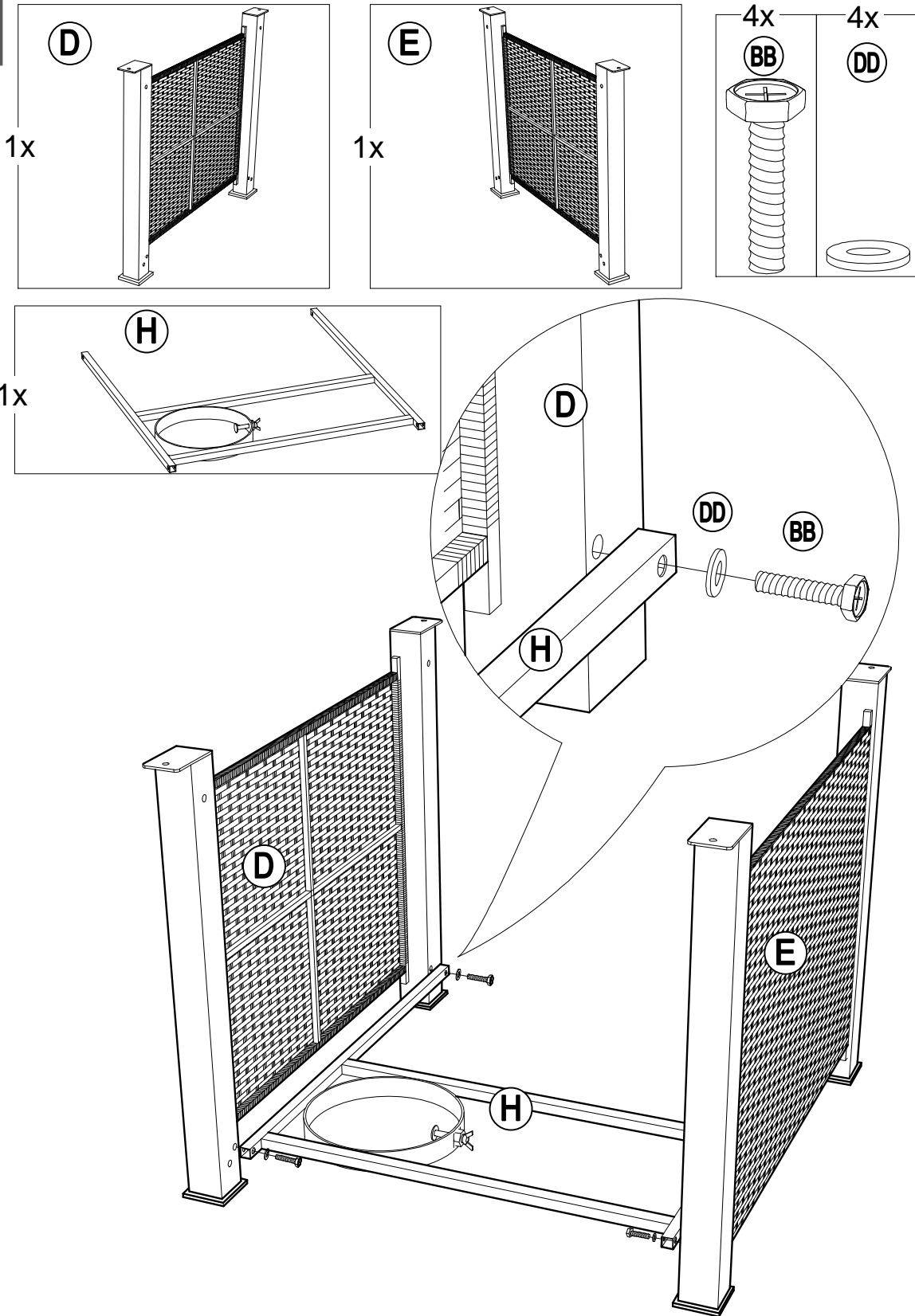


Parts List				
Label	Part Number	Description	Qty	Part Image
A	P003100076	Lid	1	
B	P002100262	Table top	1	
C	P002500106	Fire bowl	1	
D	P003800302	Side panel 1	1	
E	P003800303	Side panel 2	1	
F	P004000165	Rear door	1	
G	P004100095	Door	1	
H	P006700051	Cylinder rack	1	
I	P006600020	Lava rock	4KG	
J	P005100189	Chain	1	

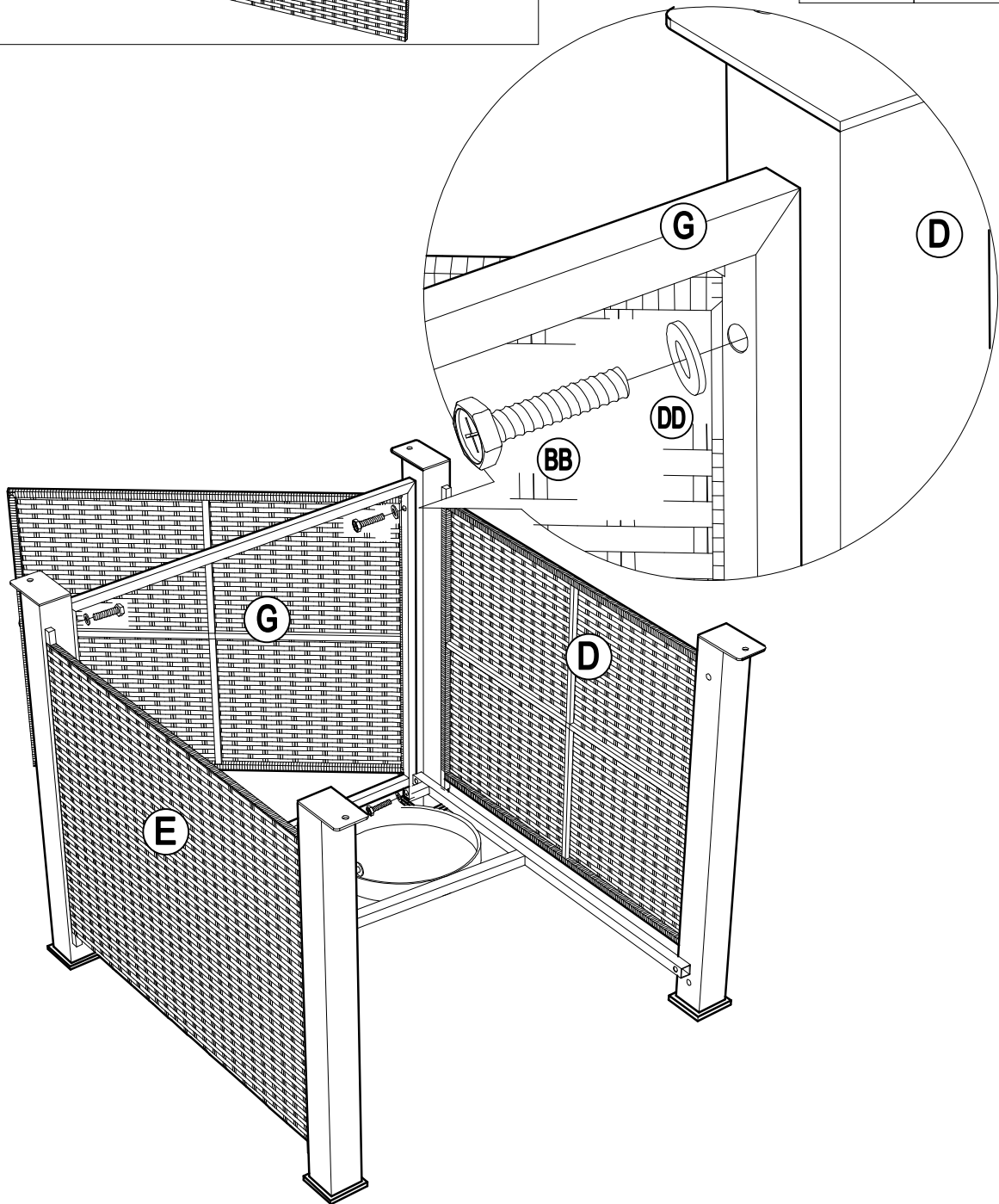
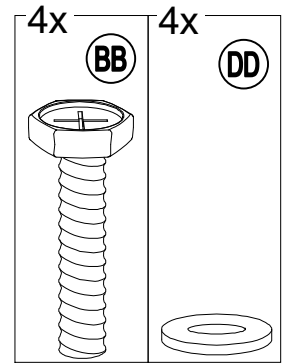
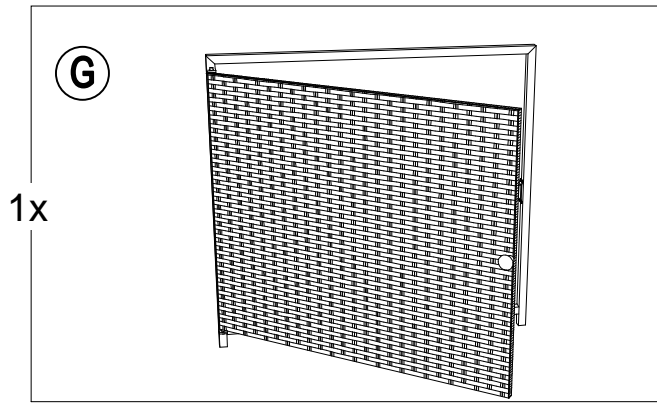
Hardware Pack					
Label	Part Number	Description	Qty	Add	Part Image
AA	H010020011	Bolt M6*15	4	1	 Actual Size
BB	H010020023	Bolt M6*30	12	2	 Actual Size
CC	H010110016	Bolt M6*15	4	1	 Actual Size
DD	H050030001	Flat washer M6	20	2	 Actual Size
EE	H090010017	Wrench M6	1	0	

INSTALLATION

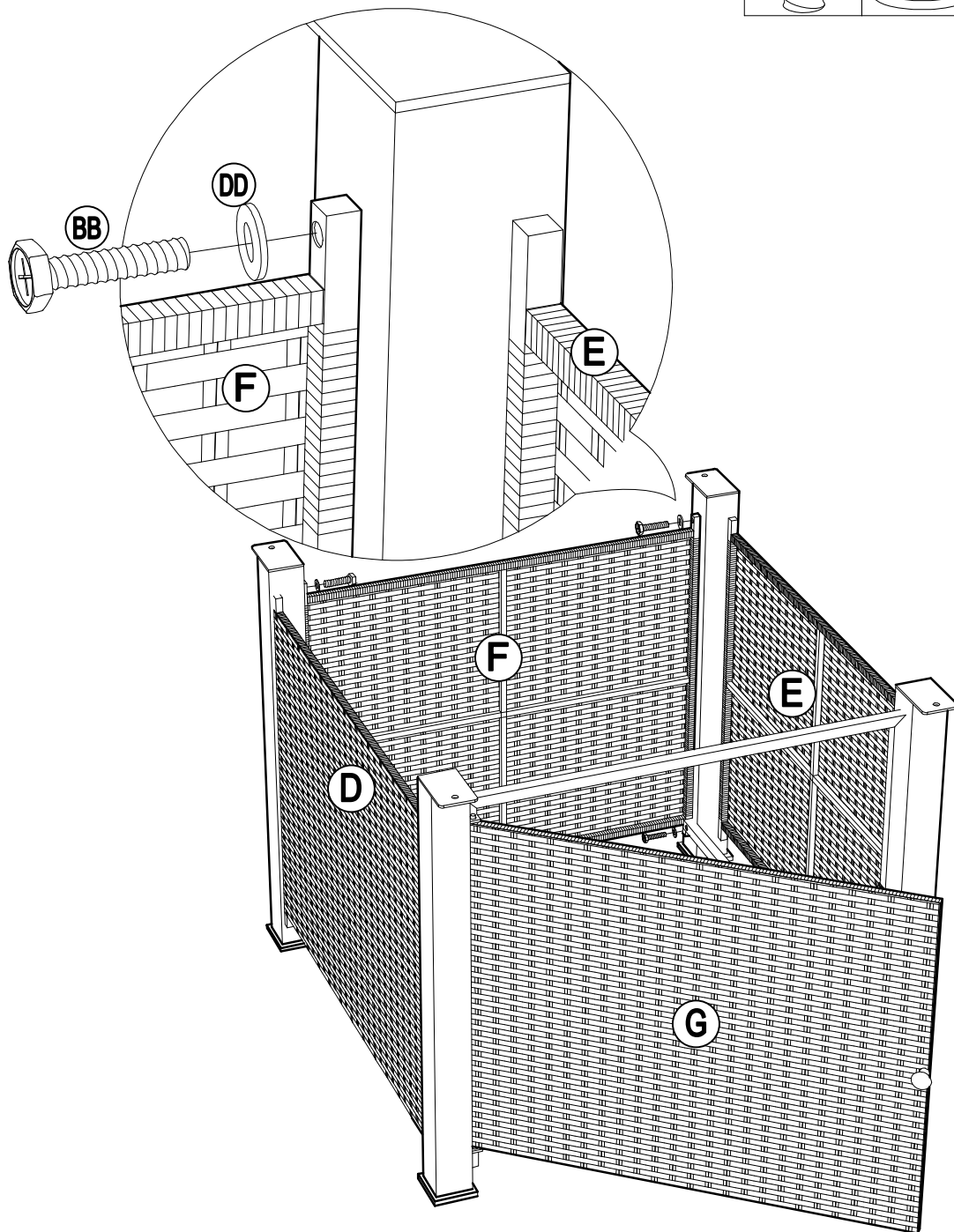
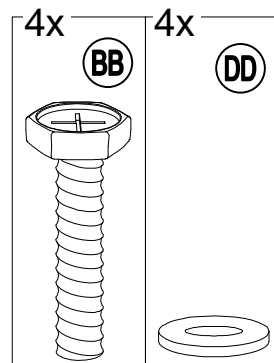
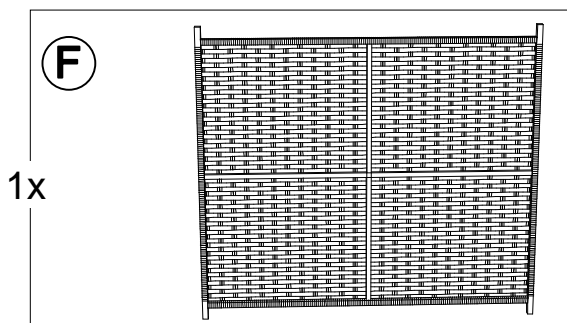
1



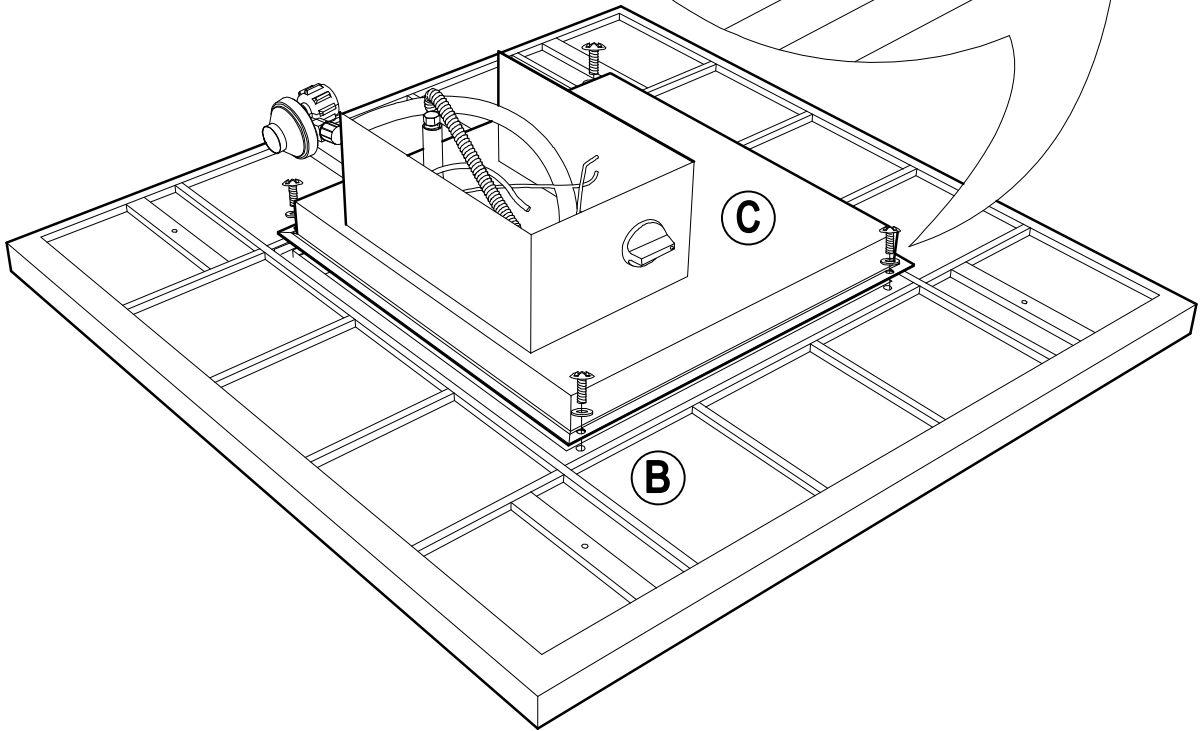
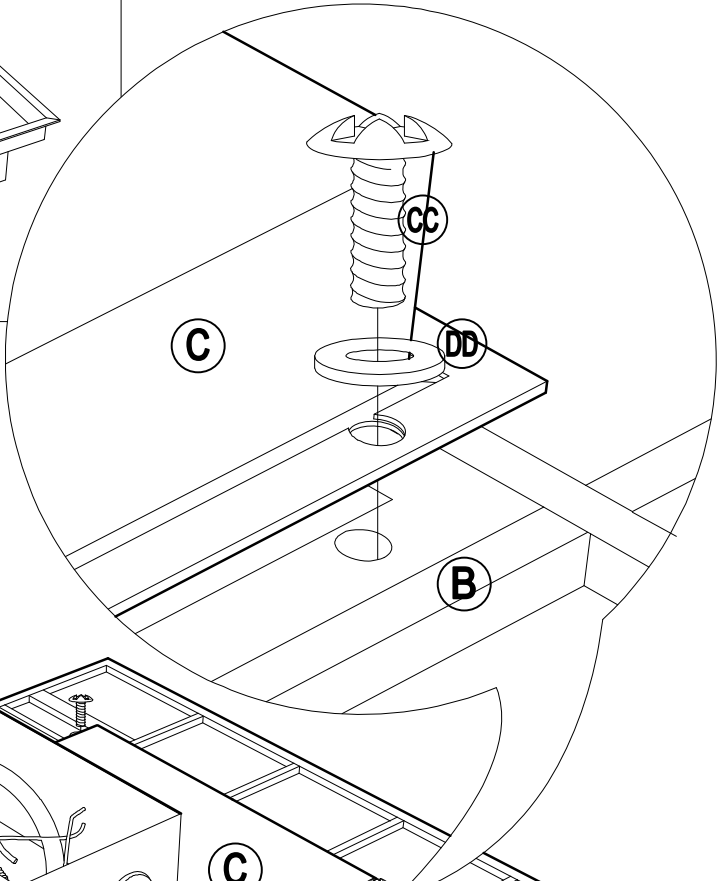
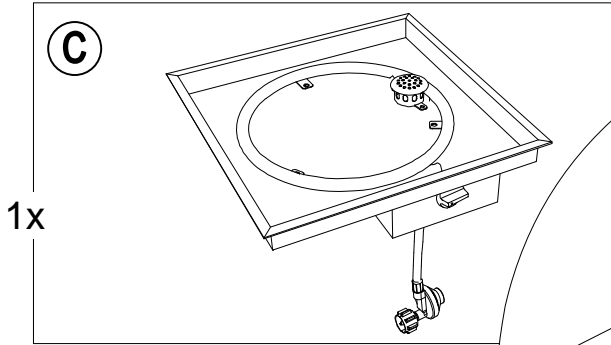
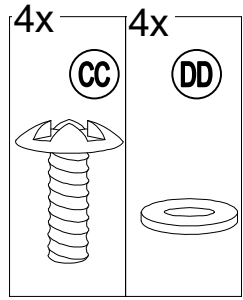
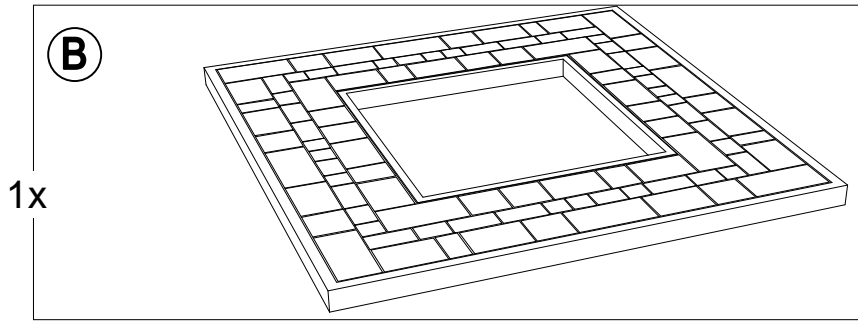
2



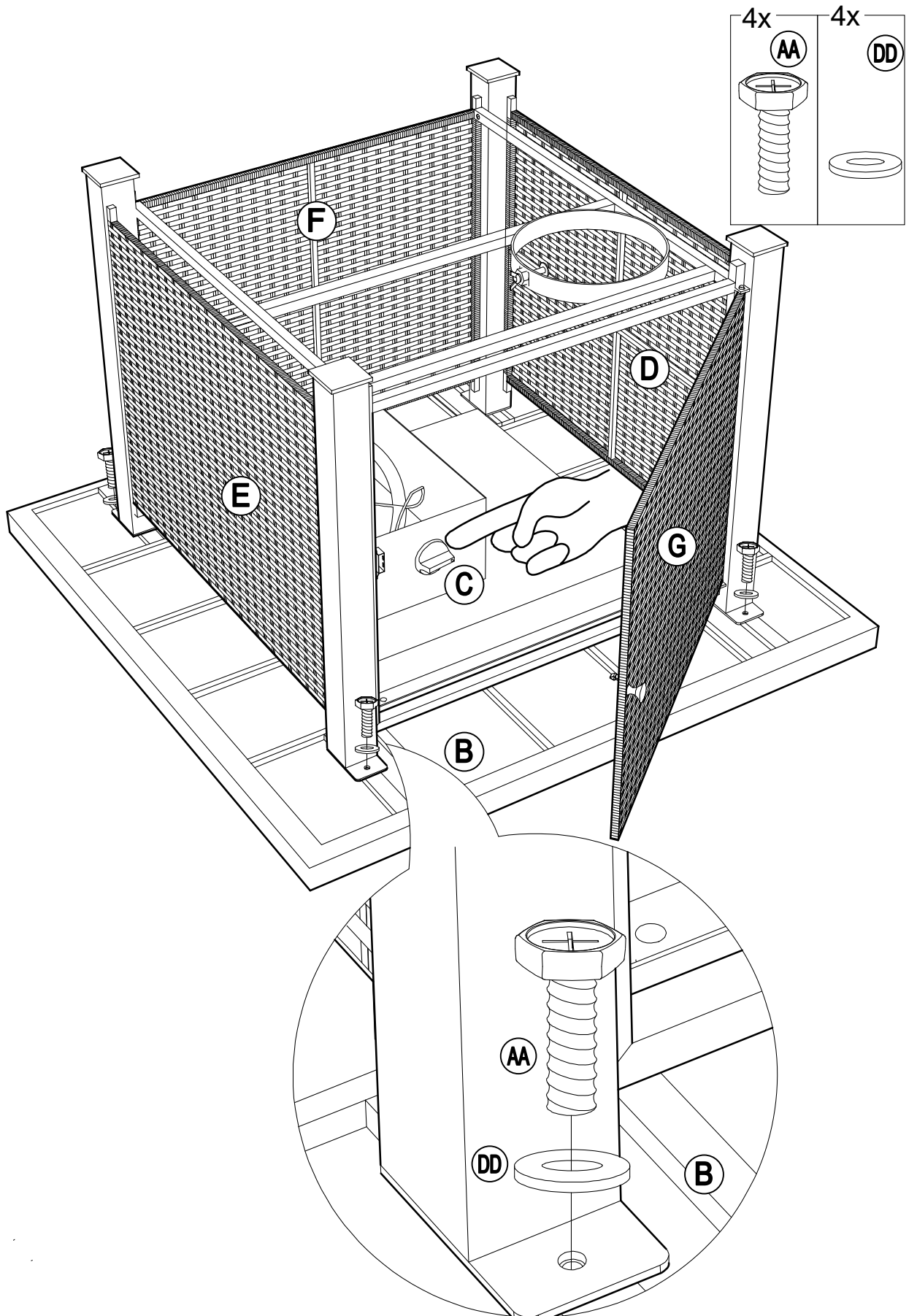
3



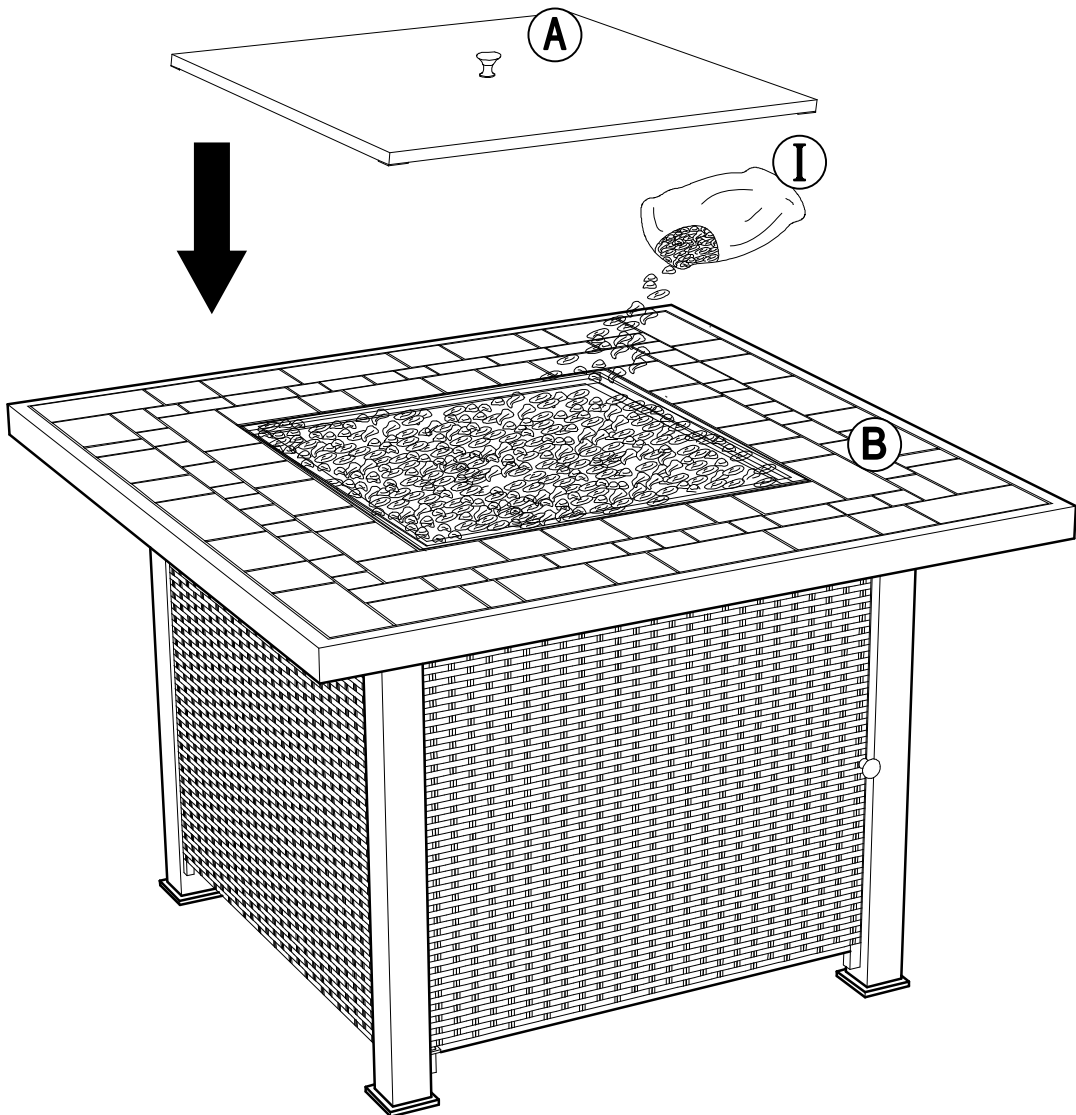
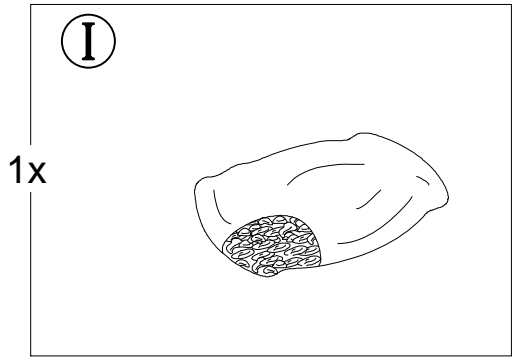
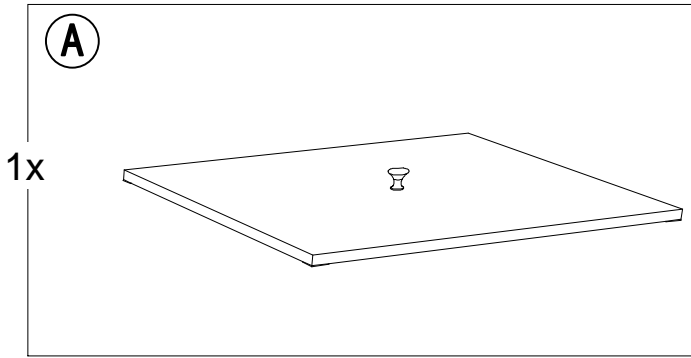
4



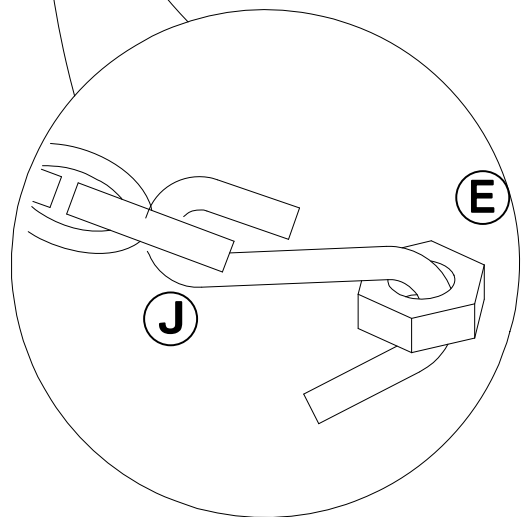
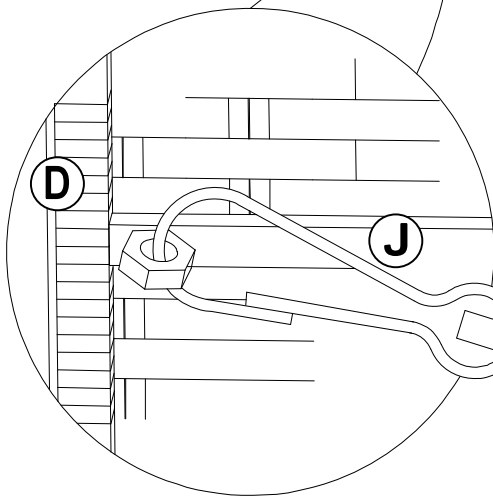
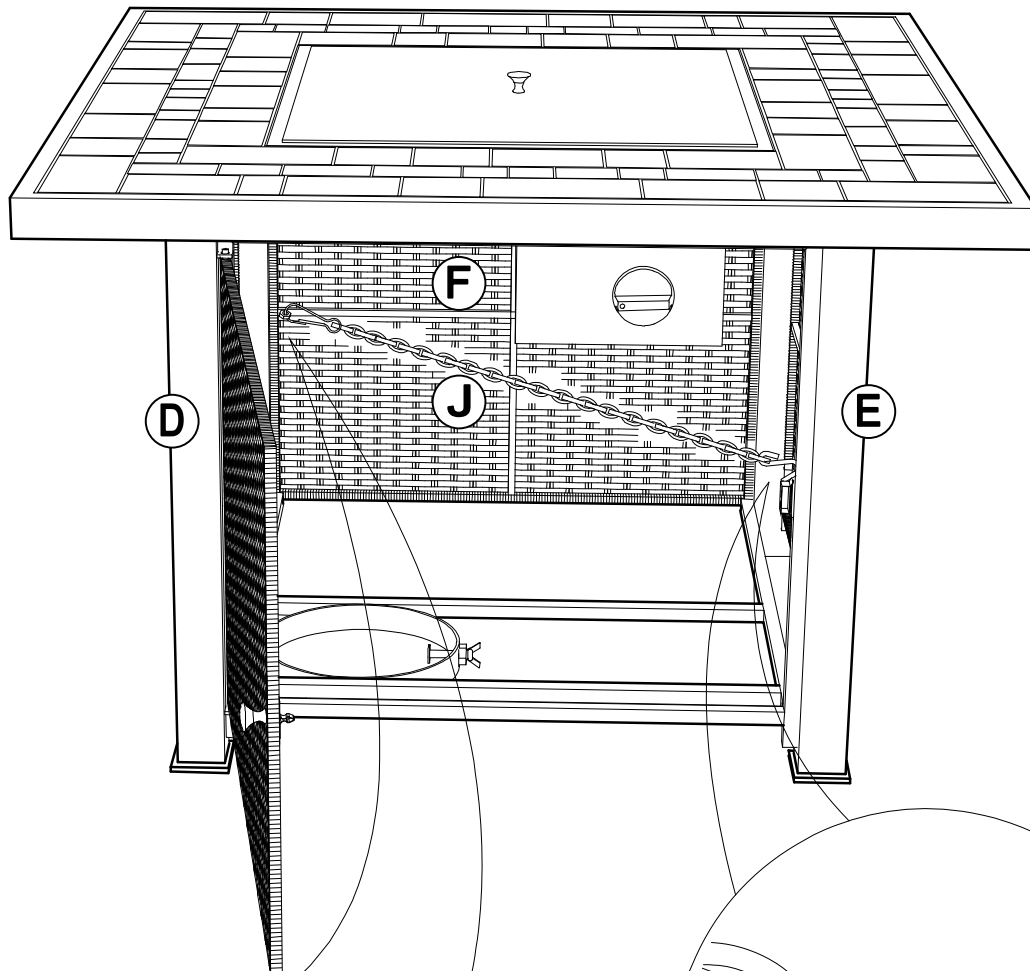
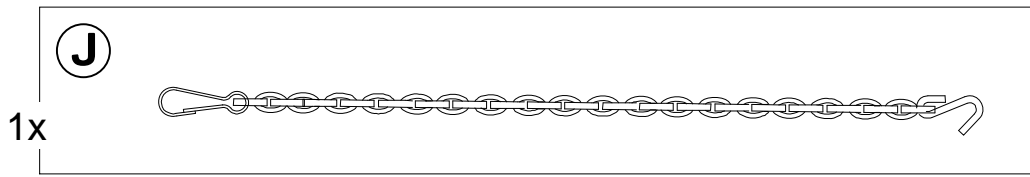
5



6



7



LOCATION

Your Gas appliance must be installed on a flat, stable surface, away from any combustible materials or construction.

SET-UP

Your Gas appliance comes assembled, ready for a Gas connection.

1- Remove the appliance from container box and place it on any level, outdoor, non-combustible surface.

NOTE: Do not place this appliance on grass or dirt area. This may prevent proper safety venting.

2- Open the gas door and put the cylinder inside.

3- Unscrew the battery box as shown in Fig 1. Insert the negative electrode side of the battery into the bottom of battery box as shown in Fig 2. Then screw the battery box as shown in Fig 3.

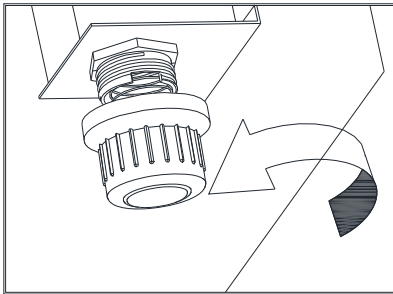


Fig 1

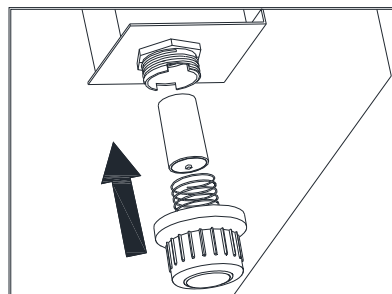


Fig 2

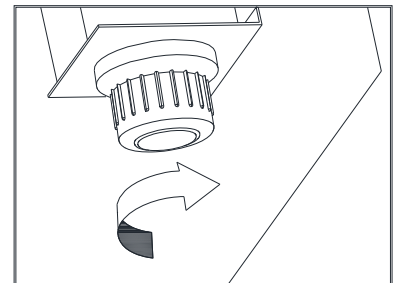


Fig 3

Note: If the battery of the pulse electronic igniter runs out of power, please replace the new battery as above.

Gas Connection

1- Open the door and control valve outside. See Fig 4.

2- Put the cylinder into the cylinder rack. See Fig 5.

3- Connect the regulator and the cylinder as per Fig.6. Make sure there is no leakage or damage (please refer to "Leak Test" on page 13 and the damage checking on page 4).

4- Turn the butterfly nut on the cylinder frame, so that the nut is held against the bottom of the cylinder, to make sure the cylinder can be fixed. See Fig 7.

5- Disconnect the regulator and the cylinder as per Fig.8

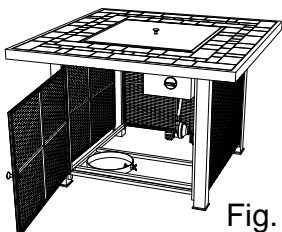


Fig. 4

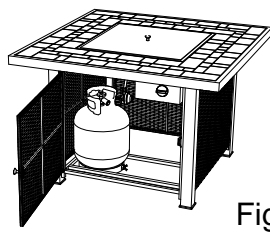


Fig. 5

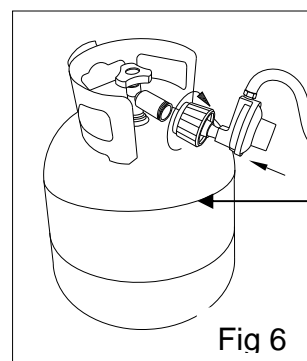


Fig 6

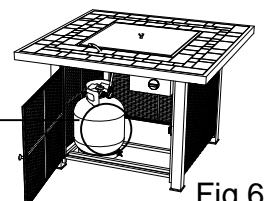


Fig.6

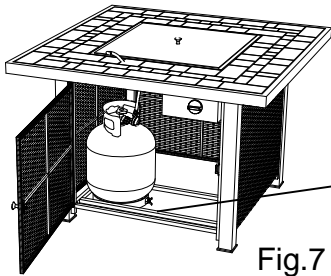


Fig.7

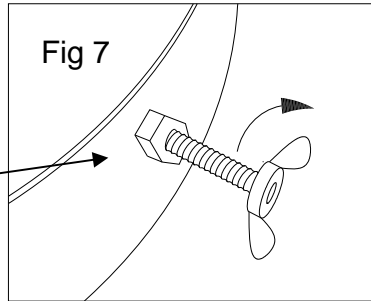


Fig 7

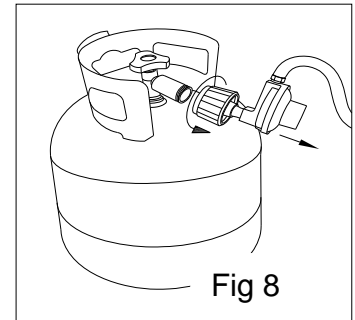


Fig 8

OPERATION:

LEAK TEST

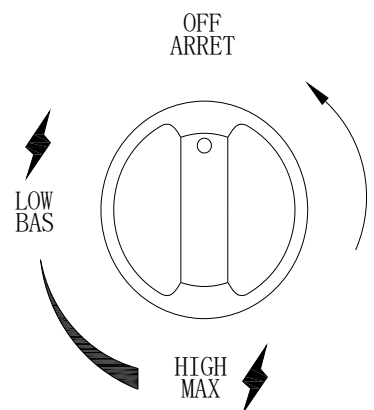
!!!WARNING!!!

- Do not use an open flame to check for leaks.
- Do not smoke during testing.
- Do not test indoors.
- A leak check must be performed whenever the gas cylinder is replaced.

1. Make sure the control knob is in the "OFF" position.
2. Make sure the gas cylinder is correctly and securely connected to the pressure regulator, without over tightening.
3. Turn on the gas cylinder valve. Apply 50% soap and 50% water solution to the gas hose and connections between the control knob and gas cylinder.
4. If something is leaking, you will see bubbles form. In case of leaks, turn off the gas supply, undo the leaking connection, re-connect it and try again. If the leak persists, consult Customer Service Center for assistance.
5. If the connection does not leak, continue to the next step.

LIGHTING THE BURNERS

1. Push in and turn control knob to LOW.
2. If the burner is not lit, turn the knob back to "OFF" .
Wait 5 minutes and repeat step 1.
3. If burner is lit, Continue to depress control knob for 1-2 minutes until the thermocouple is hot.
4. Release control knob and the burner should stay lit.
5. Turn control knob to desired heat setting, LOW-HIGH.
6. Turn control knob to OFF to shutdown. Turn off gas supply at cylinder. Allow a 5-minutes complete shut off period before relighting the appliance.



NOTE: While in use, the burner flame should be mainly blue in appearance with a small amount of yellow. The flame can be identified by the following figure.



Warning: Lighting the Fire Pit improperly could lead to an unsafe condition.

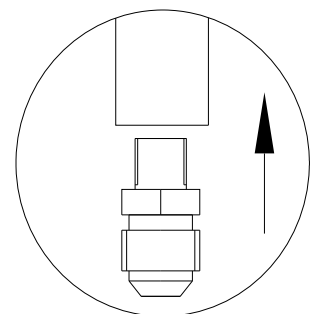
7. Press in and turn the control valve knob clockwise to OFF to shut down fireplace. Close the gas cylinder valve when the fireplace is not in use.

(**CAUTION:** Do not kink flexible gas hose. If it is kinked, a gas leak could occur.)

STORAGE AND MAINTENANCE:

To obtain the best performance from your fireplace, you must perform the following storage and maintenance activities on a regular basis:

- Allow at least 35 minutes for the fireplace to cool down after use, before disconnecting and removing the gas cylinder.
- Store the gas cylinder in a dry, well-ventilated and sheltered area protected from inclement weather and dust, out of the reach of children, and not in a building, garage or any other closed area.
- The fireplace may be stored indoors only if the cylinder is disconnected and removed.
- Keep the fireplace area clear and free from combustible materials, gasoline and other flammable vapors and liquids.
- **Installation and repair should be done by a qualified service person. The fireplace should be inspected before use and at least annually by a qualified service person. More frequent cleaning may be required as necessary. It is imperative that the control compartment, burner, and circulating air passageways of the fireplace be kept clean.**
- If you disassemble the burner when cleaning the fireplace, please reassemble it according to the picture on the right to make sure the burner induction tunnel is on and exactly cover the orifice base. It is imperative that the control compartment, burner, and circulating air passageways of the fireplace be kept clean. It is recommended not to disassemble the burner.
- Permanent installation and repair should be done by a qualified service person. The fireplace should be inspected annually by a qualified service person.



TROUBLE SHOOTING:

PROBLEM OBSERVED	POSSIBLE CAUSE	CORRECTIVE MEASURES
Gas odor	Gas leak	See "If you smell gas:" on front cover of manual Check all gas connections
Delayed ignition	Low gas pressure Clogged or dirty burner ports Blocked orifice Spent battery	Check gas supply pressure Clean burner ports-see manual section Check orifice opening Change new battery
Incorrect burner flame	Incorrect gas supply or pressure Blocked orifice Clogged or dirty burner ports	Check gas supply pressure Check and clean orifice opening Clean burner ports

If you want to replace the parts listed, please contact SUNJOY Customer Service Center

LIMITED WARRANTY:

Subject to the conditions set out below, this product is warranted to the original purchaser to be free from defects in workmanship and materials for **one (1) year** from the date of purchase.

- Satisfactory proof of the purchase date must be furnished at the time of notification of the defect for any claim under the warranty to be enforceable.
- This warranty covers all parts found defective in workmanship and/or materials during the warranty period and can be repaired or replaced at the discretion of the manufacturer at no cost to the original purchaser.
- This warranty will be void if the product has not been assembled, installed or operated according to the instructions, or subjected to abuse, improperly treated, neglected, rusted by exposure to the elements, misused and/or if any repairs, maintenance, or service has been done by an unauthorized person.
- Returns must be properly packaged and returned to the dealer from whom the product was acquired.
- The manufacturer, distributor and retailer will not be liable for any incidental or consequential loss or damage arising from the installation or operation of the product and/or the failure of any part for any reason.
- There are no other express or implied warranties, except for those stipulated herein. This warranty gives specific rights and the original purchaser may have additional rights and remedies in law.
- This warranty does not cover commercial use.

Please do not return this product to the store. For technical assistance on assembly or replacement parts email customer.care@sunjoygroup.com or visit www.sunjoyonline.com to place your order or fax your parts replacement order form

Made in China