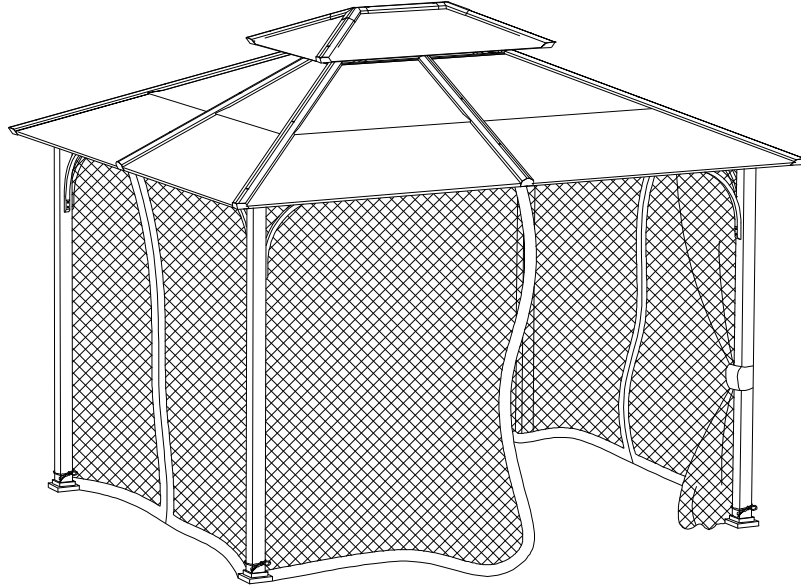


ASSEMBLY INSTRUCTION
ITEM#: A102009100



WE HAVE YOU IN MIND, LET US SERVE YOU!

Questions? Issues?

CONTACT US

24 hours / 7 days a week

 Warranty Parts

www.sunjoyonline.com



customer.care@sunjoygroup.com



A10200911022

Country of Origin: China

Production Number: XXXXXXXXXX

Important Safety Instructions



Warning! To reduce the risk of serious injury, read the following safety instructions before assembling and using the gazebo.

Please check with your local governing authority/local municipal codes regarding installation of structures before assembly.

Caution! Proper placement of your gazebo is essential.

Do not place the product underneath electrical lines.

Keep children away during assembly.

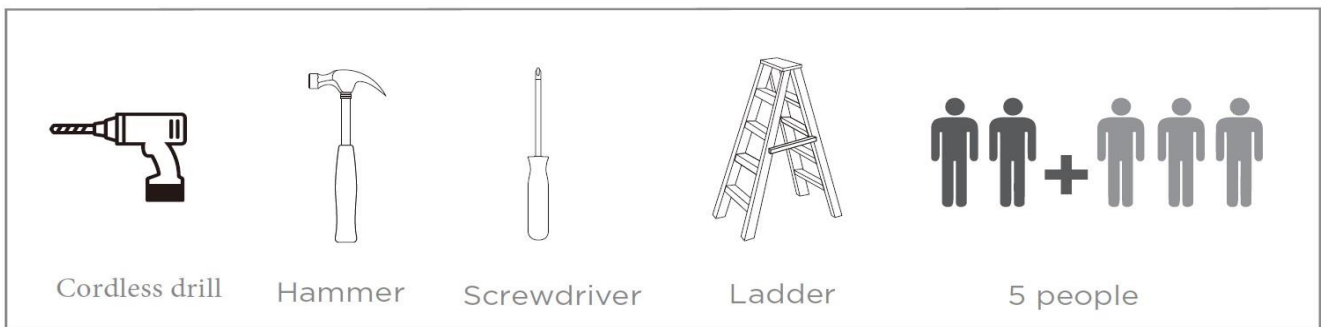
This product contains small parts which can be swallowed by children.

Keep fingers away from the places where they can be pinched or trapped. Do not attempt to assemble the gazebo if any parts are missing.

- This product is intended for domestic outdoor use only.
- The product should be placed on flat, horizontal ground.
- Ensure enough clearance around the product. Before assembling the product, find level ground not less than 6' (1.8 m) away from any structures or obstructions, such as fences, garages, houses, overhanging branches, laundry lines, or electrical wires.
- This gazebo is not to be regarded as part of a building/house structure. The gazebo is to be anchored onto the ground for added safety. Do not assemble the gazebo onto soil/earth ground. It is best advisable to have the gazebo built onto a wooden deck or concrete ground for stability. If it is to be build onto a wooden deck/ground, do ensure that the wooden deck/ground has a strong foundation. It is advisable to use appropriate floor plugs (not provided) to anchor the gazebo onto the wooden/concrete ground.
- Some structures may require two or more people to install safely. Check for underground utilities before digging or driving stakes into the ground.
- During installation, follow all safety warnings provided with your tools, and use safety glasses.
- In case you set up more than one gazebo, keep a minimum distance of 10' (3 m) between the gazebos.
- Any assembly or maintenance of the product must be carried out by adults only.
- Arrange necessary manpower when assembling or moving the product.
- Some parts may contain sharp edges. Wear protective gloves if necessary.
- Keep children and pets away while setting up the gazebo.
- Check all nuts and bolts periodically to ensure bolts/nuts are tightened.
- Repairing and replacing parts should be done by a qualified technician.
- This gazebo is intended for decorative and sunshade purposes only, and it is not designed to withstand harsh weather, including high winds, rain, and snow.
- Do not light any fires inside or near the product!
- Stay calm if fire breaks out. Search for the nearest exit. Do not return to the gazebo before firemen allow you to do so.
- Do not hang heavy weights on the roof frame.
- Do not climb onto the roof of the gazebo. Falling off the gazebo can result in serious injury.
- Retain the original packaging to store the gazebo.

IMPORTANT:

- Please read and understand this manual before any assembly. Before beginning assembly of product, make sure all parts are present. Compare parts with packaging contents list.
- **When assembling wooden parts, do not overtorque the bolts to avoid splitting the wood. See image illustration.**
- Place all parts from the box in a cleared area and position them on the floor in front of you.
- Remove all packing materials and place them back into the box. Do not dispose of the packing materials until assembly is complete.
- Needed for assembly: (The following tools are not included)

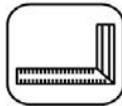


This identifies information that requires special attention. Improper assembly could lead to an unsafe or dangerous condition.



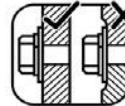
Use Level

Check that set or assembly is properly level before proceeding.



Square Assembly

Check that assembly is square before tightening bolts.




Tighten Bolts

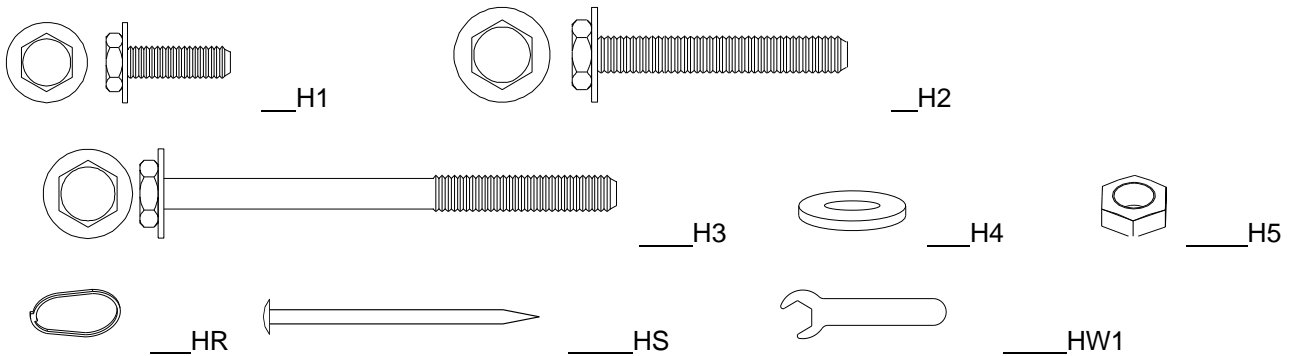
Do not overtorque mounting bolts. Over-tightening may cause the wood to crack creating splinters and other structural damage.



Measure Distance

HARDWARE INCLUDED

 **NOTE:** Hardware not shown to actual size.



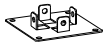
Part	Part Number	Description	Quantity
H1	H100010047	Bolt M6*20	198+10
H2	H100010046	Bolt M6*40	52+3
H3	H100010074	Bolt M6*75	16+1
H4	H050030001	Flat washer M6	16+1
H5	H040010004	M6 Nut	16+1
HR	P005100264	Plastic ring	52+3
HS	H070010003	Dia. 8 * 180 Stake	8
HW1	H090010017	Wrench M6	2

Pre-installation (continued)

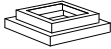
PACKAGE CONTENTS



___A



___B



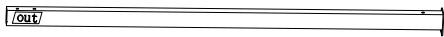
___C



___D



___E



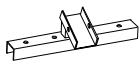
___F



___G



___J



___K



___L



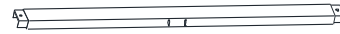
___M



___N



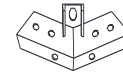
___P



___Q



___R



___S



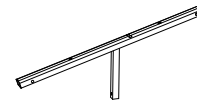
___T



___U



___V



___W



___X



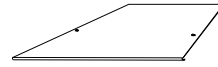
___Y



___AA



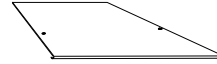
___AB



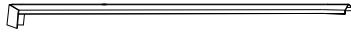
___AP



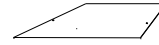
___AC



___AQ



___AD



___AR



___AE



___AS



___AF



___AT



___AG



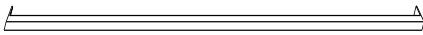
___AU



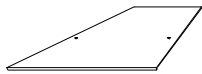
___AJ



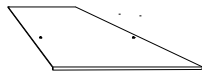
___AV



___AK



___AL



___AM



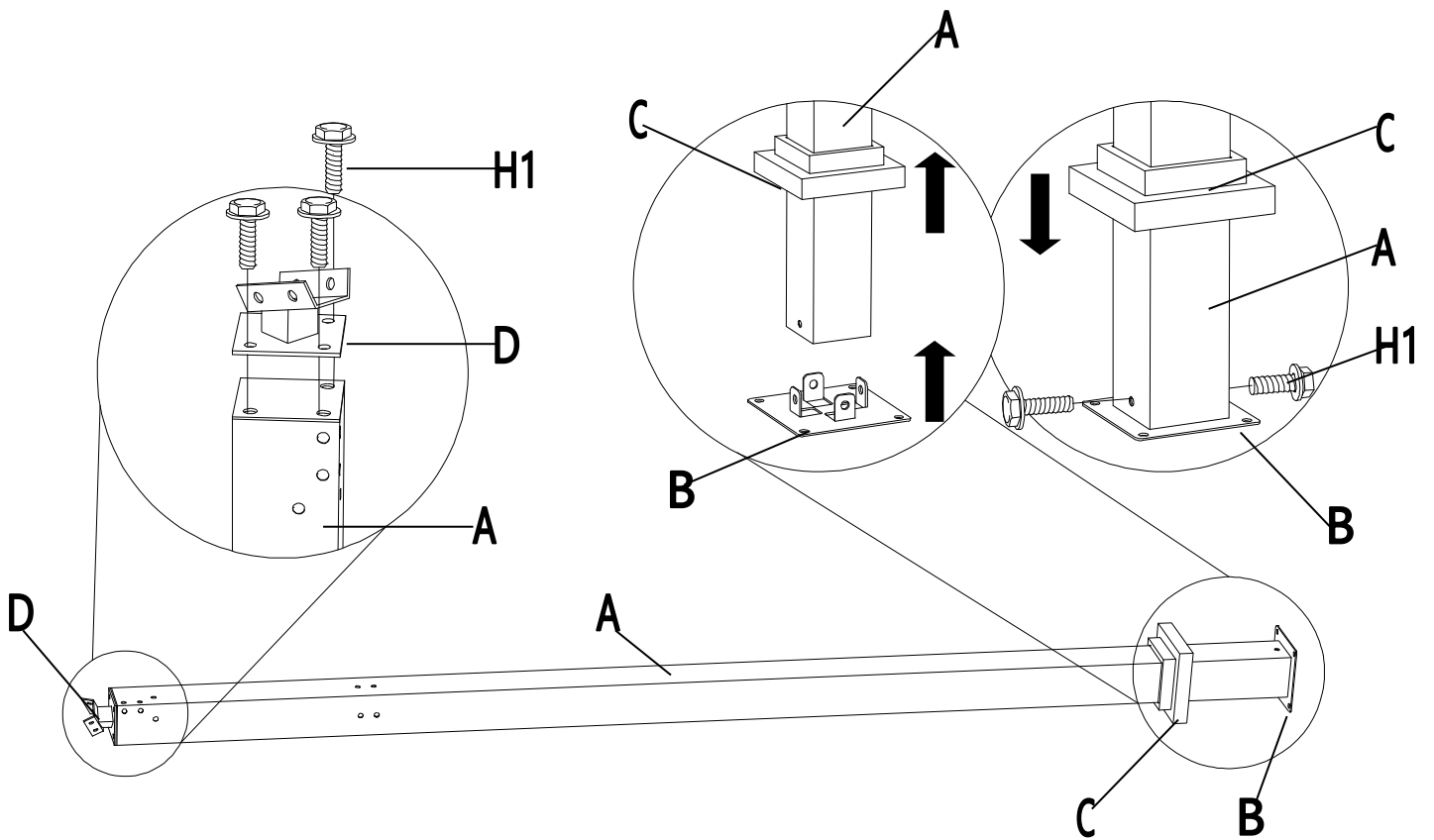
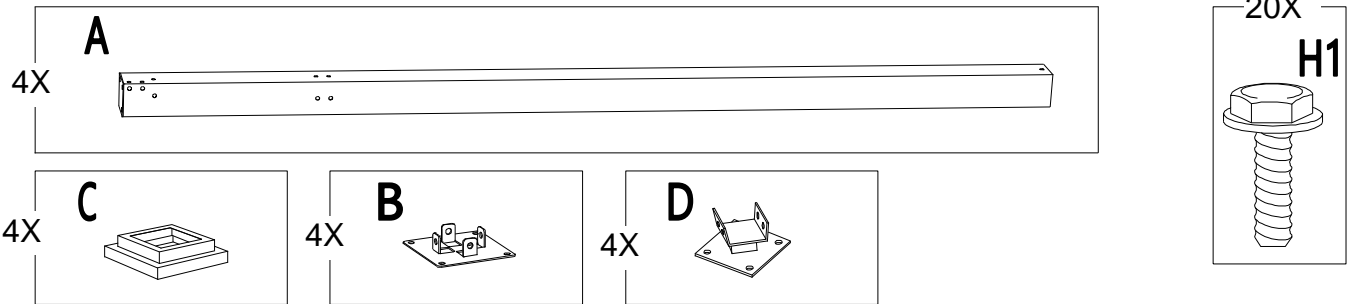
___AN

Pre-installation (continued)

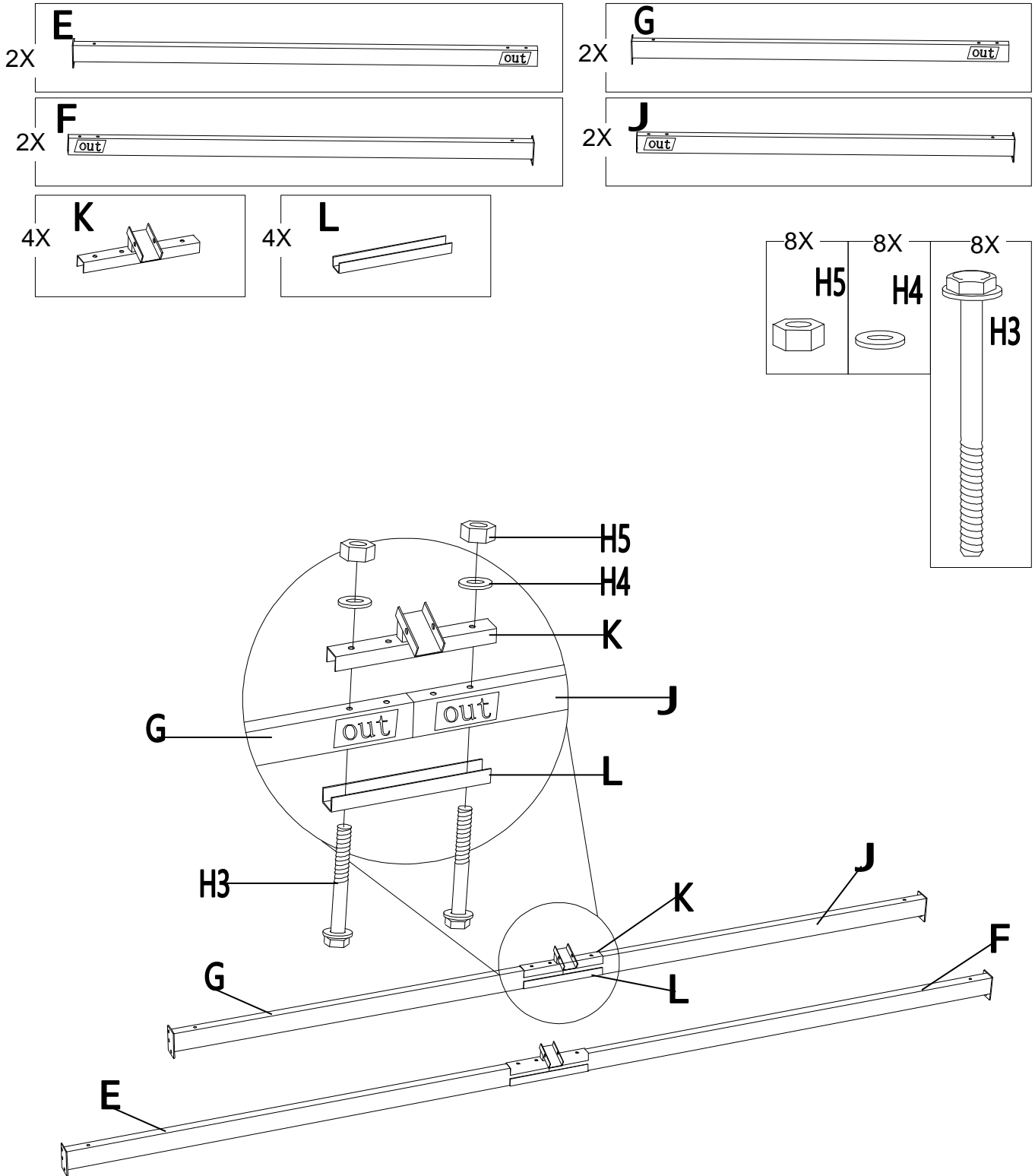
Part	Part Number	Description	Quantity
A	P00020060101	Post	4
B	P00010025901	Stake base	4
C	P00610021801	Stake cover	4
D	P00050025001	Slanting beam connector	4
E	P00040115901	Long cross beam (Left)	2
F	P00040116001	Long cross beam (Right)	2
G	P00040116101	Short cross beam (Right)	2
J	P00040116201	Short cross beam (Left)	2
K	P00050104301	Middle beam connector 1	4
L	P00050104401	Middle beam connector 2	4
M	P00570034303	Long pipe	4
N	P00570034203	Short pipe	4
P	P00500035401	Curve support	8
Q	P00050156702	Big top long connector tube	2
R	P00050157202	Big top short connector tube	2
S	P00050157503	Big top connector	4
T	P00060196801	Slanting beam	4
U	P00060197401	Middle beam 2	4
V	P00050156303	Small roof connector	1
W	P00060023402	Small roof support beam	4
X	P005800001	Hook	1
Y	P00060202601	Small Roof Panel Flashing(Long Side)	2
AA	P00060202001	Small Roof Panel Flashing(Short Side)	2
AB	P00070022301	Small roof short panel	2
AC	P00070022201	Small roof long panel	2
AD	P00080009701	Small roof support beam cover	4
AE	P00090015201	Small roof cover	1
AF	P00060199402	Big roof long side beam	4
AG	P00060198602	Big roof short side beam	4
AJ	P00060200601	Big roof long side lower beam	4
AK	P00060200501	Big roof short side lower beam	4

Part	Part Number	Description	Quantity
AL	P00070095901	Big roof long side upper panel (Left)	2
AM	P00070096801	Big roof long side upper panel (Right)	2
AN	P00070094901	Big roof short side upper panel	2
AP	P00070099101	Big roof long side bottom panel (Left)	2
AQ	P00070100201	Big roof long side bottom panel (Right)	2
AR	P00070098601	Big roof short side bottom panel (Left)	2
AS	P00070099601	Big roof short side bottom panel (Right)	2
AT	P00080033601	Slanting beam cover	4
AU	P00080034701	Middle beam cover	4
AV	P00120027101	Mosquito netting	1

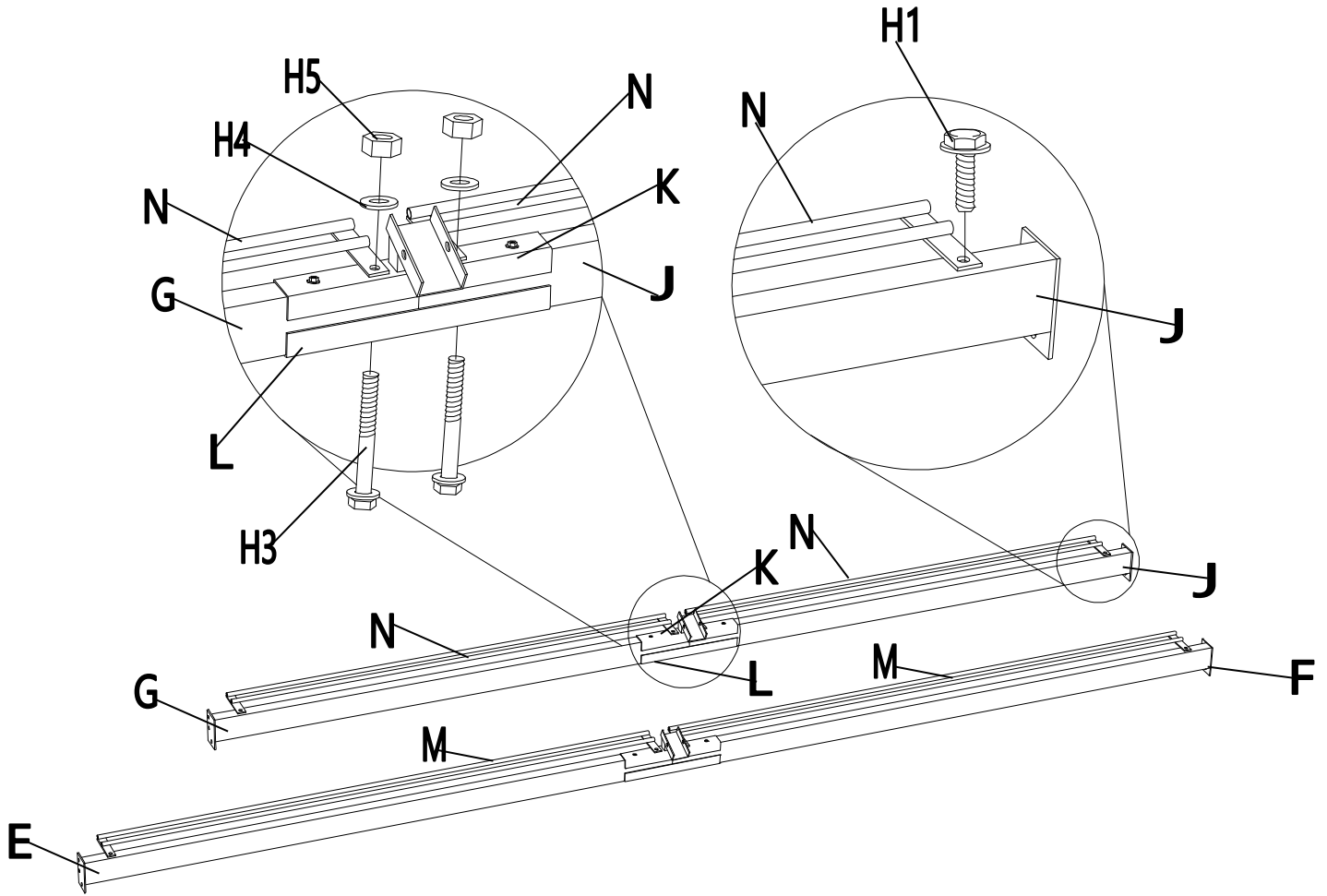
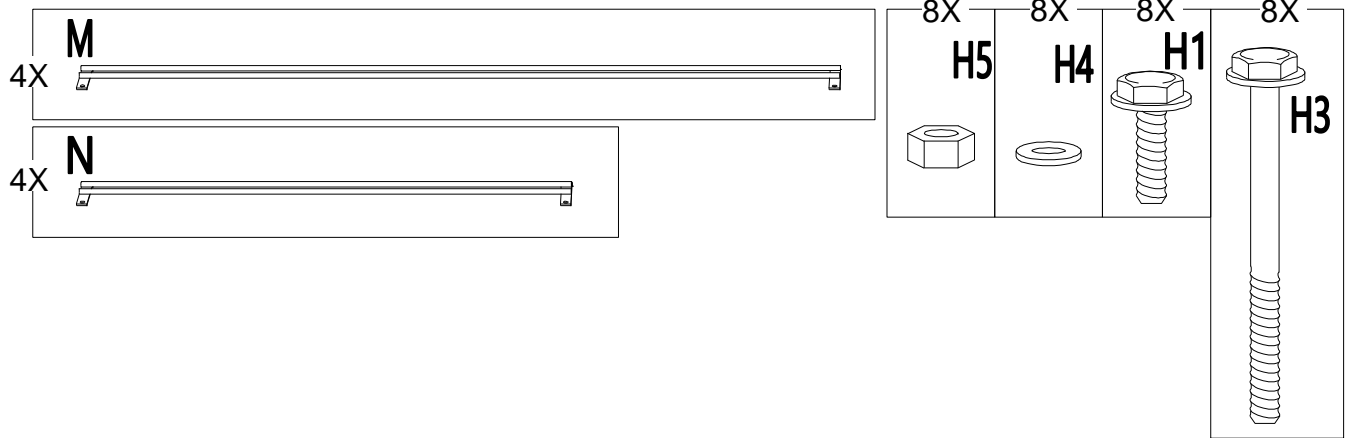
1



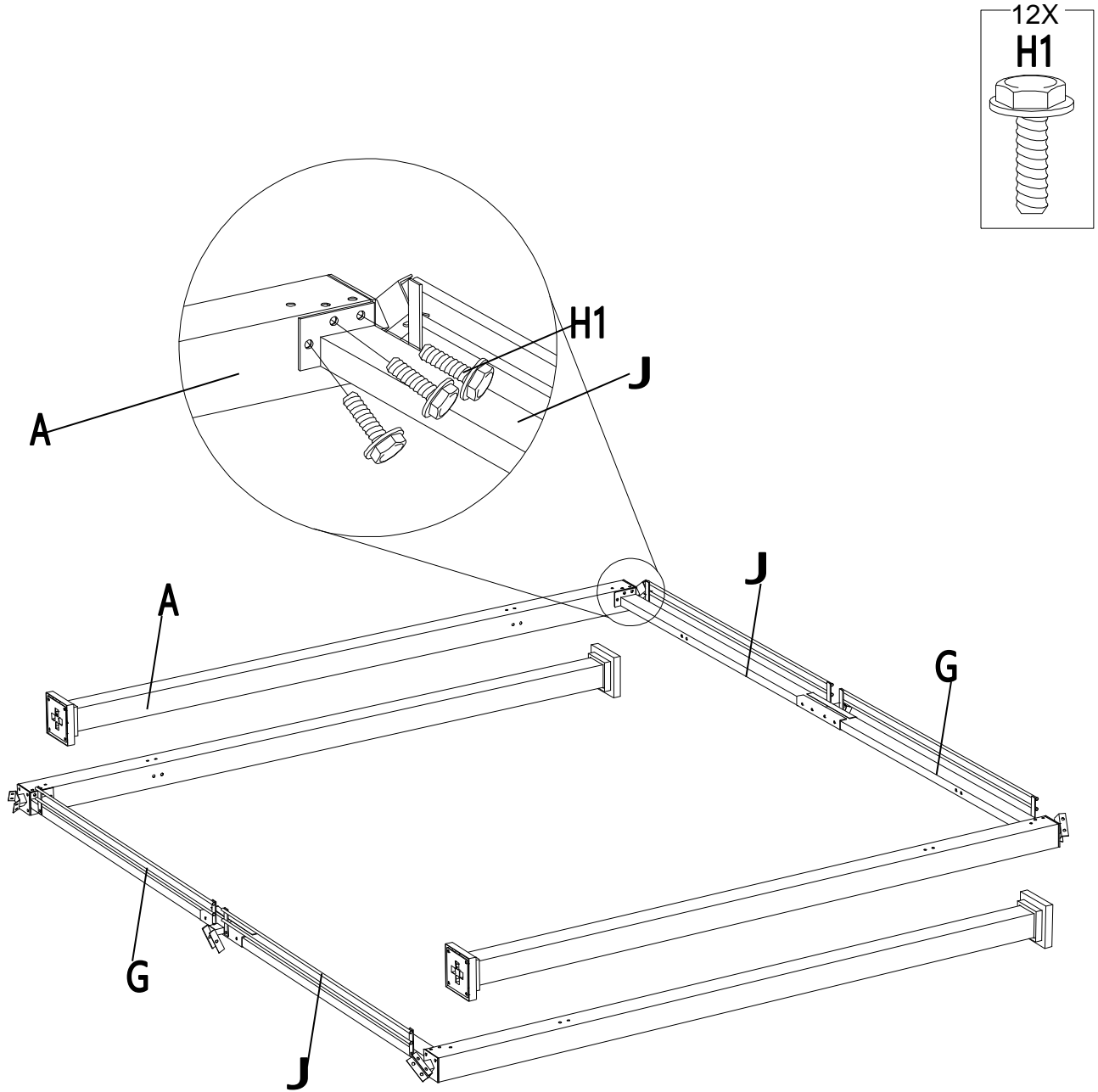
2



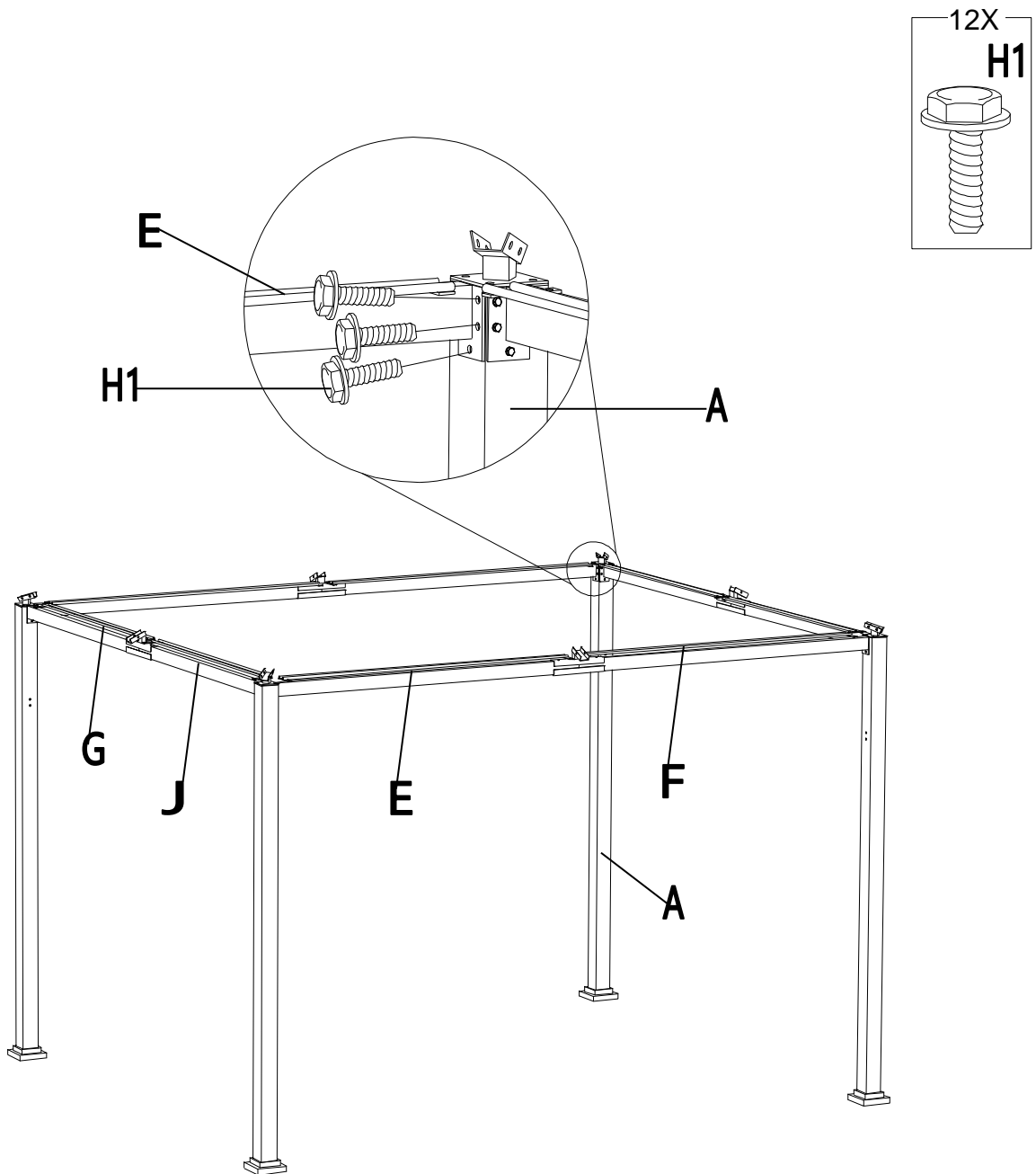
3



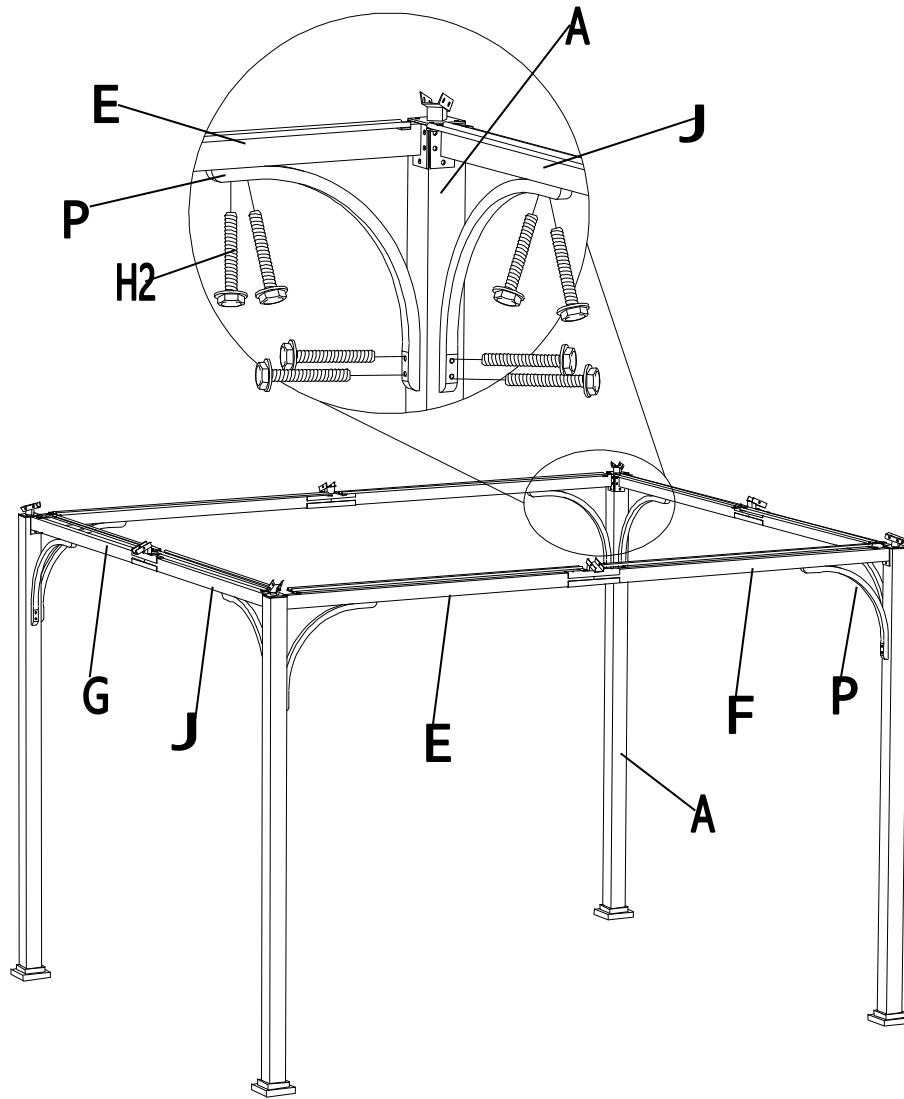
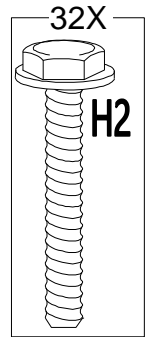
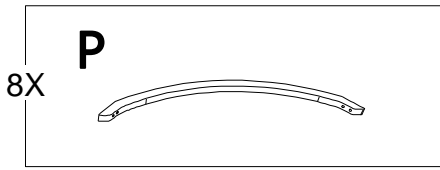
4



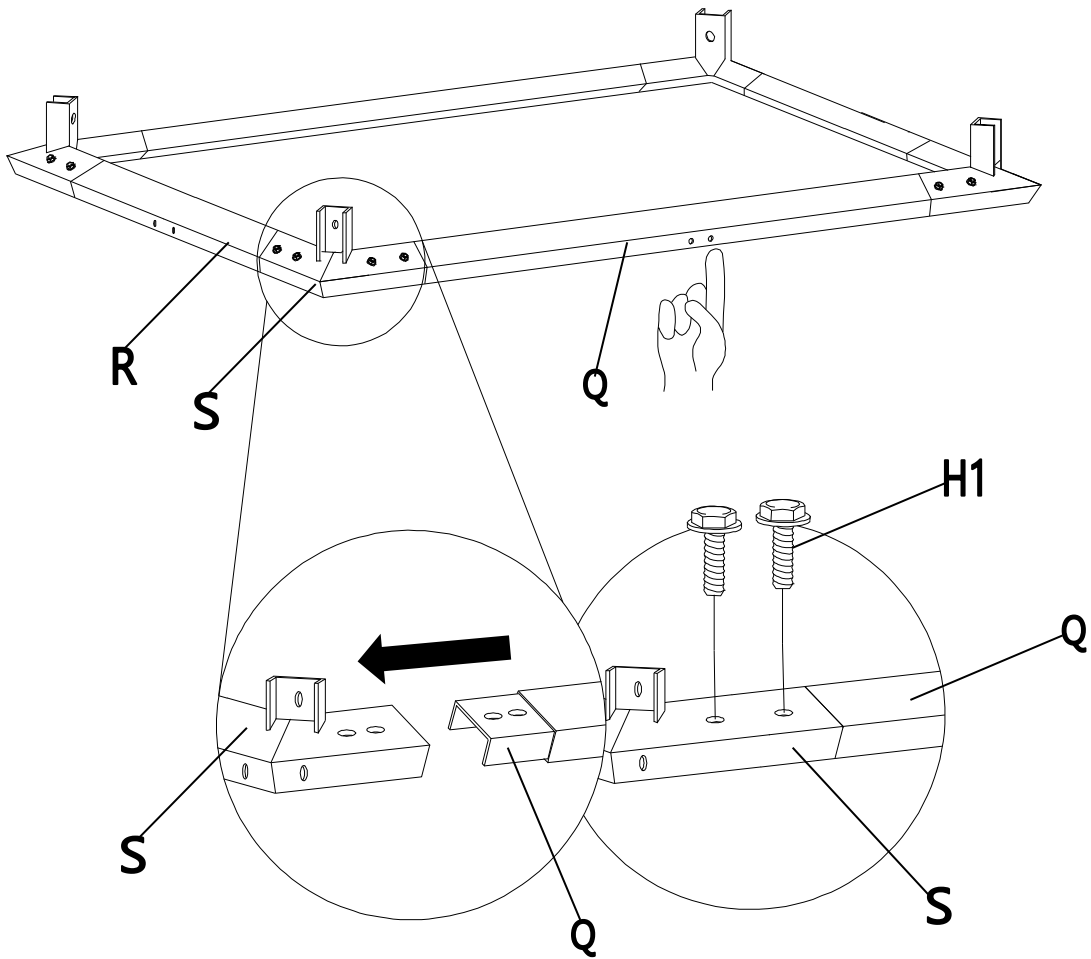
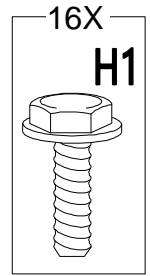
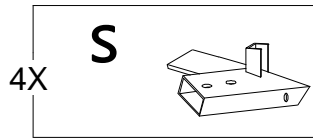
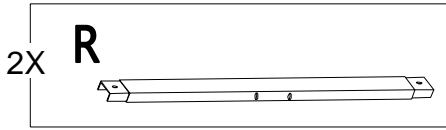
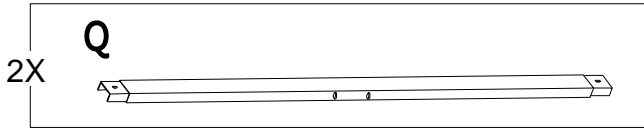
5



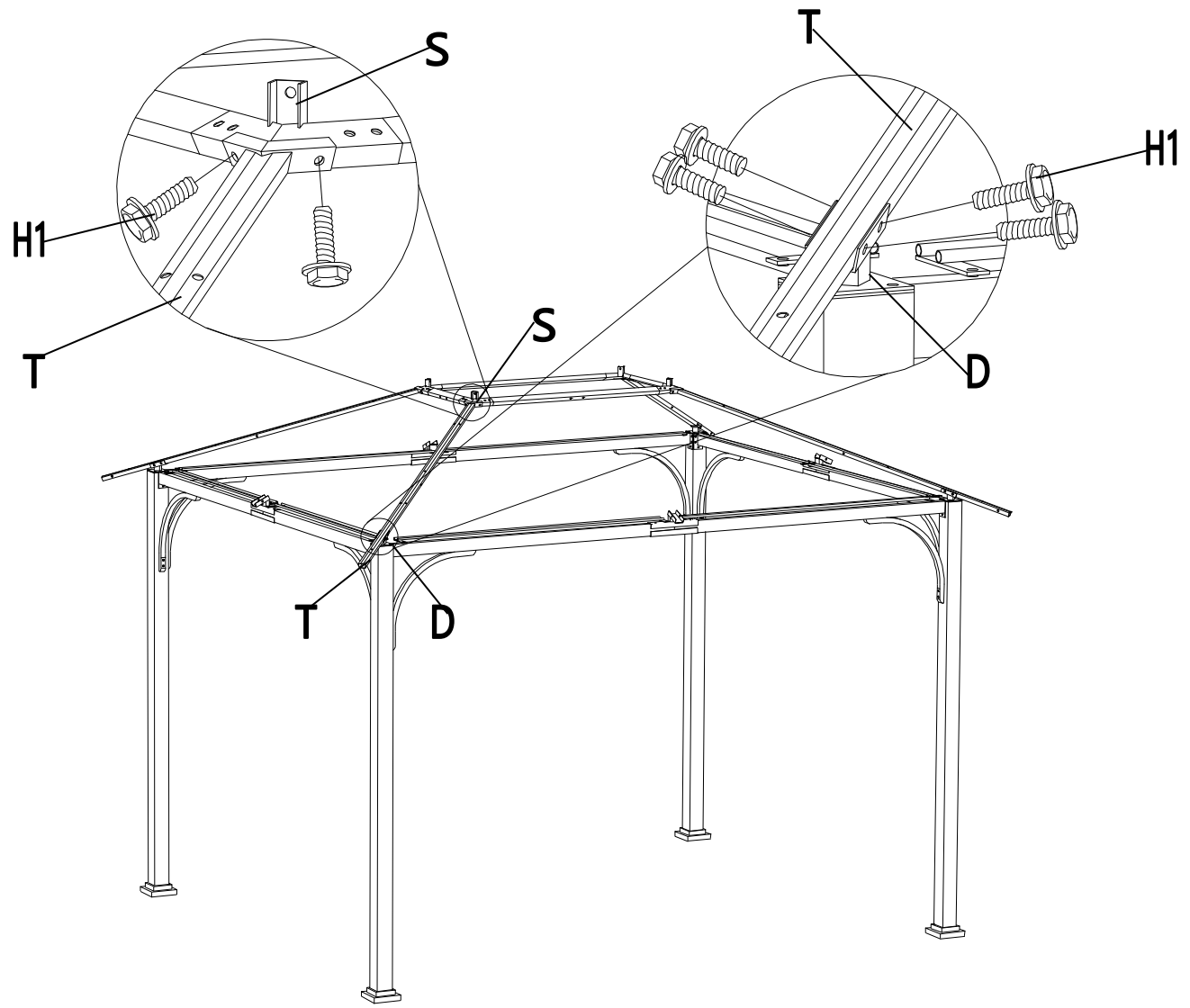
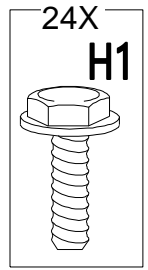
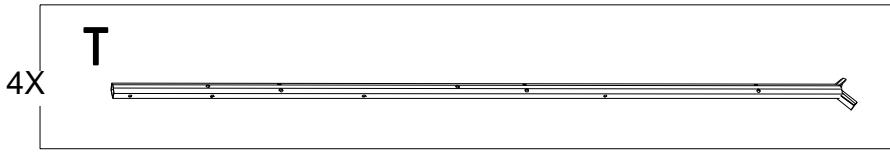
6



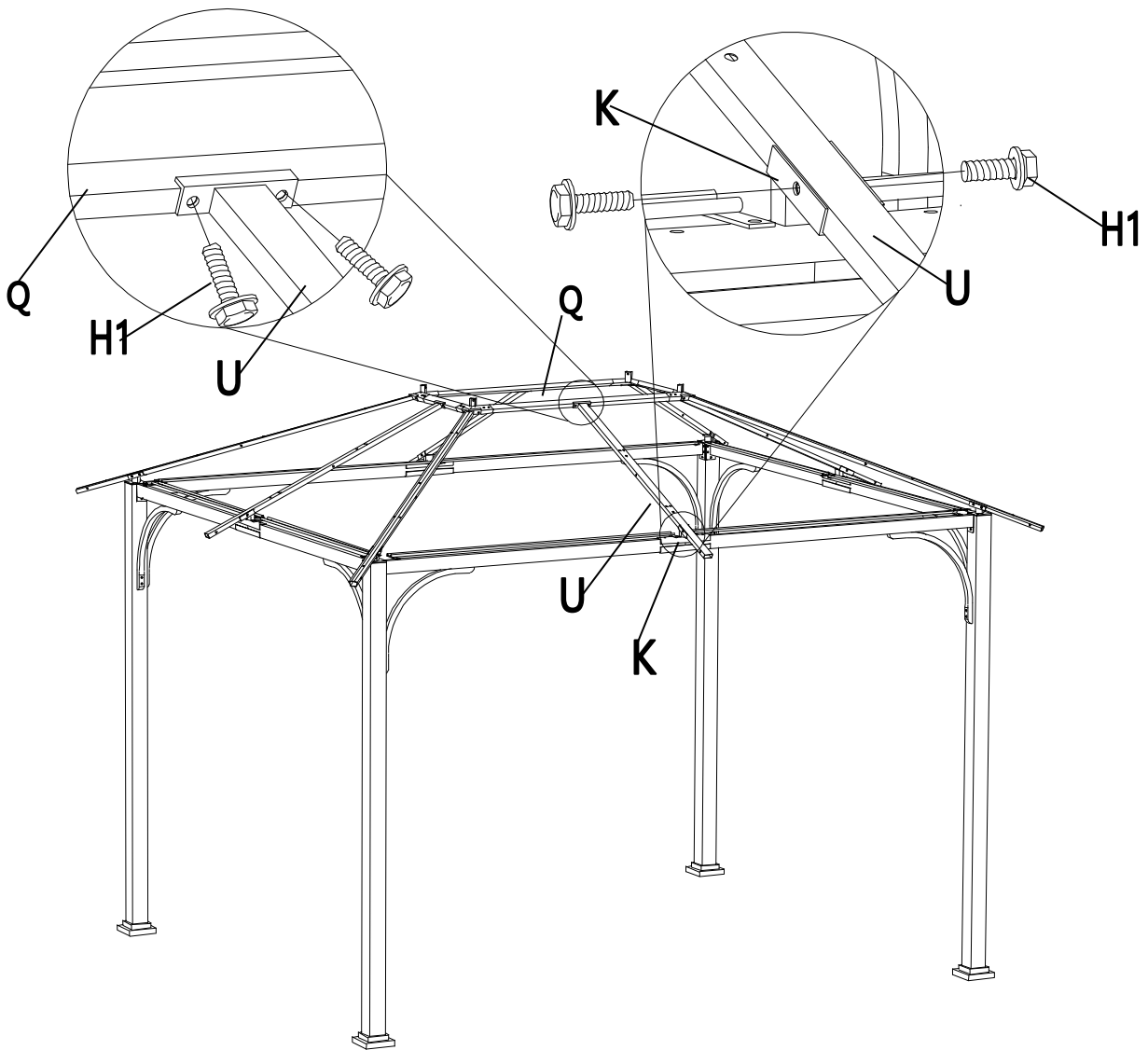
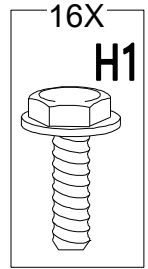
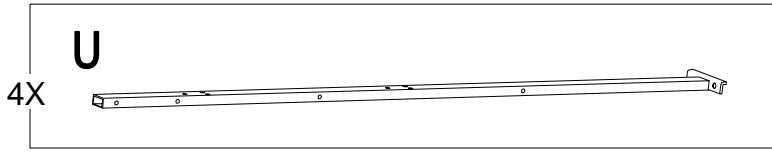
7



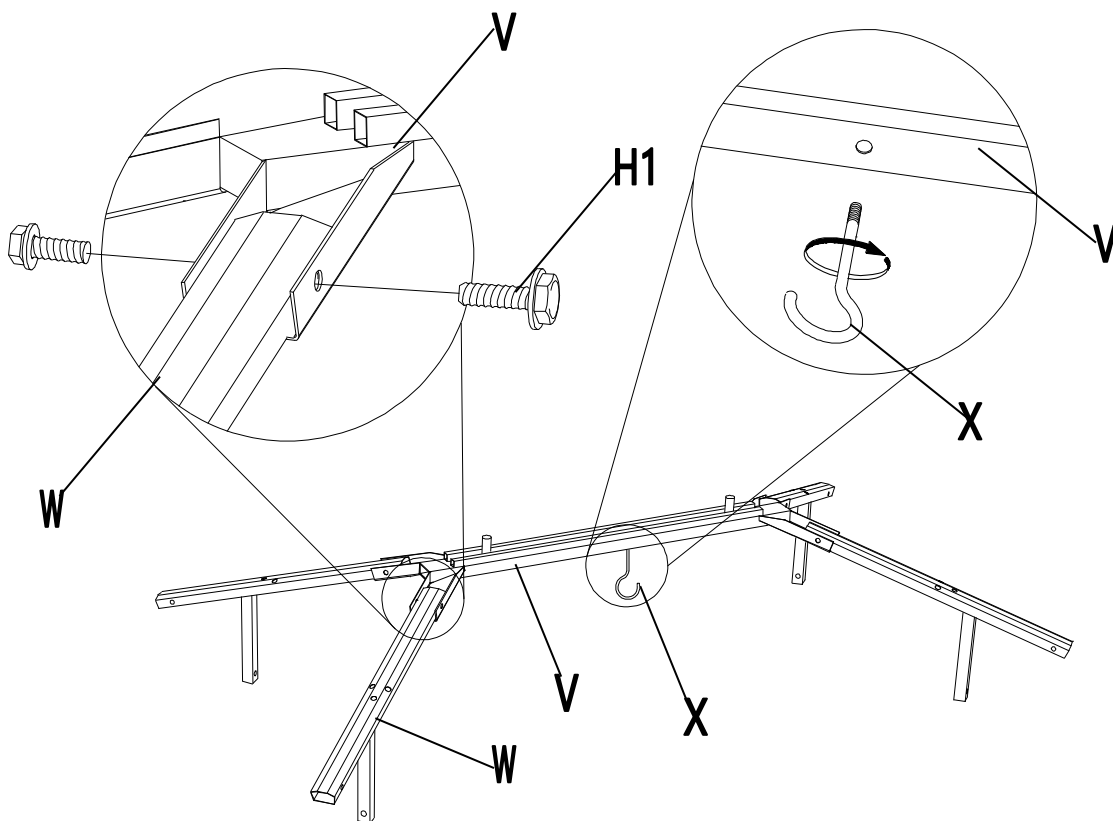
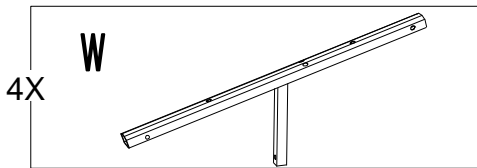
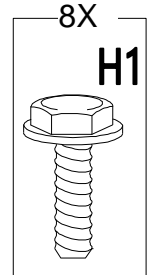
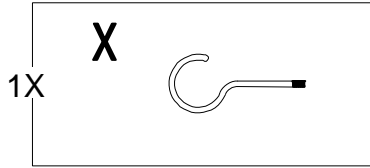
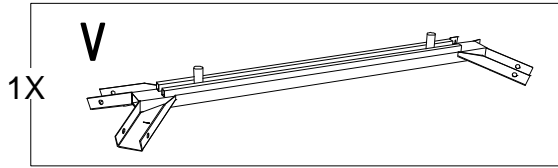
8



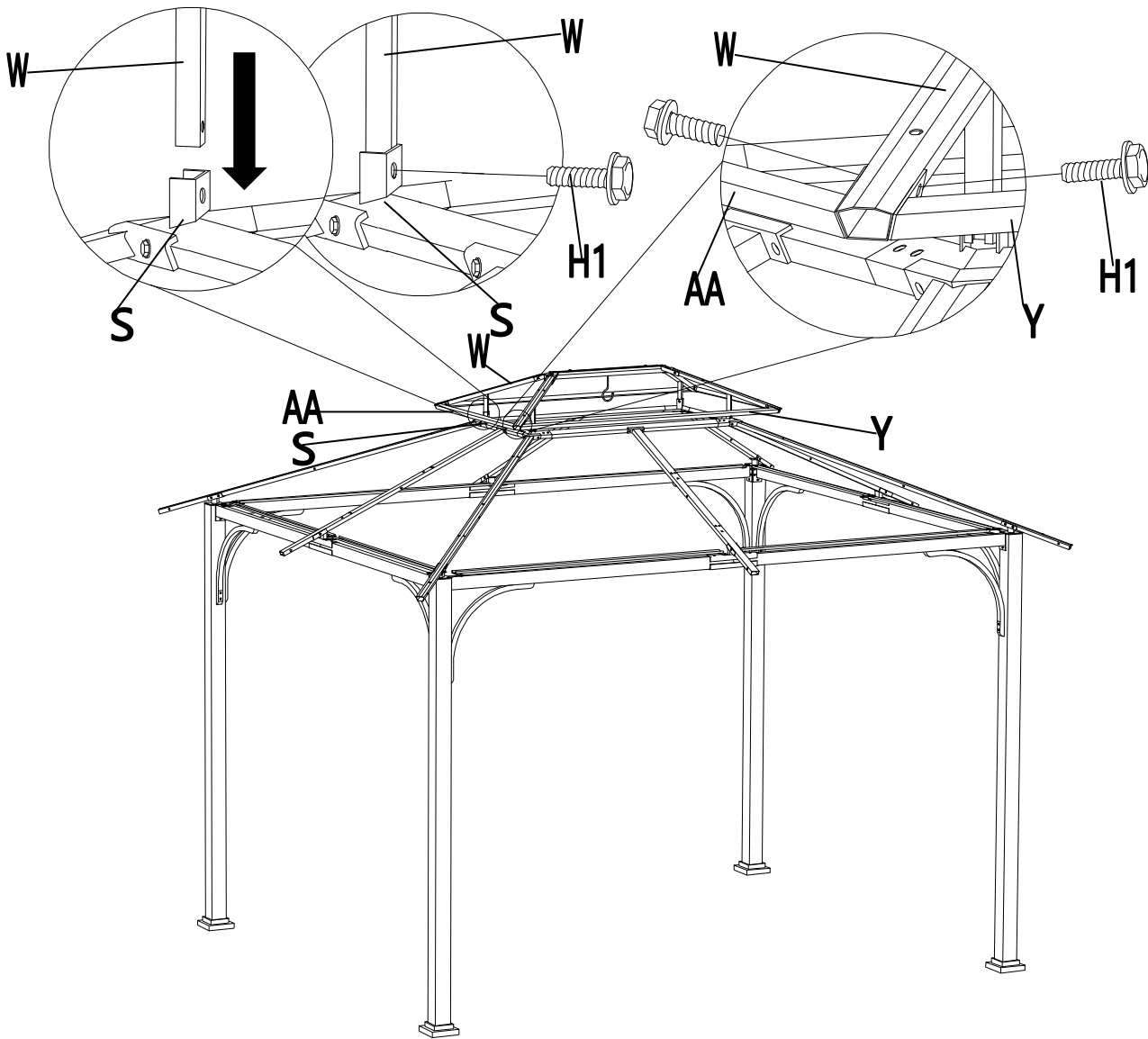
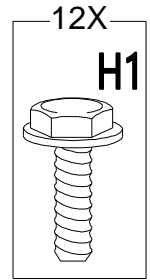
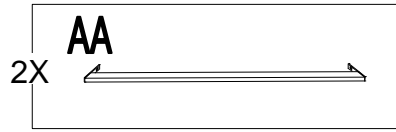
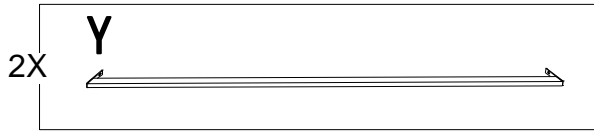
9



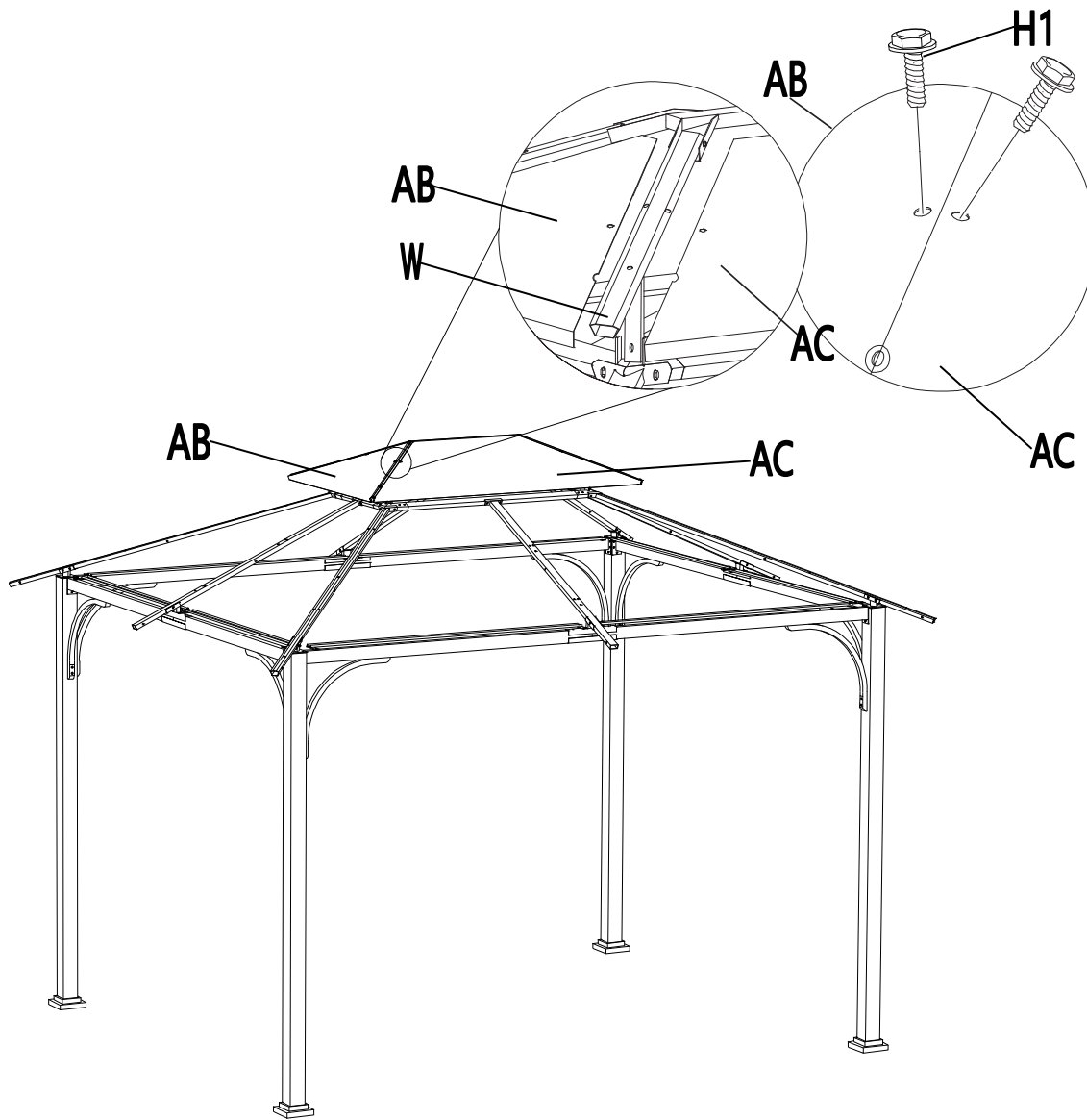
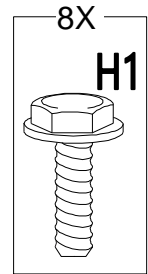
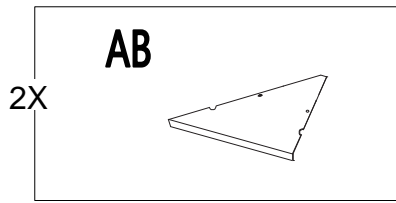
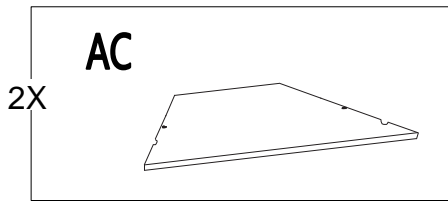
10



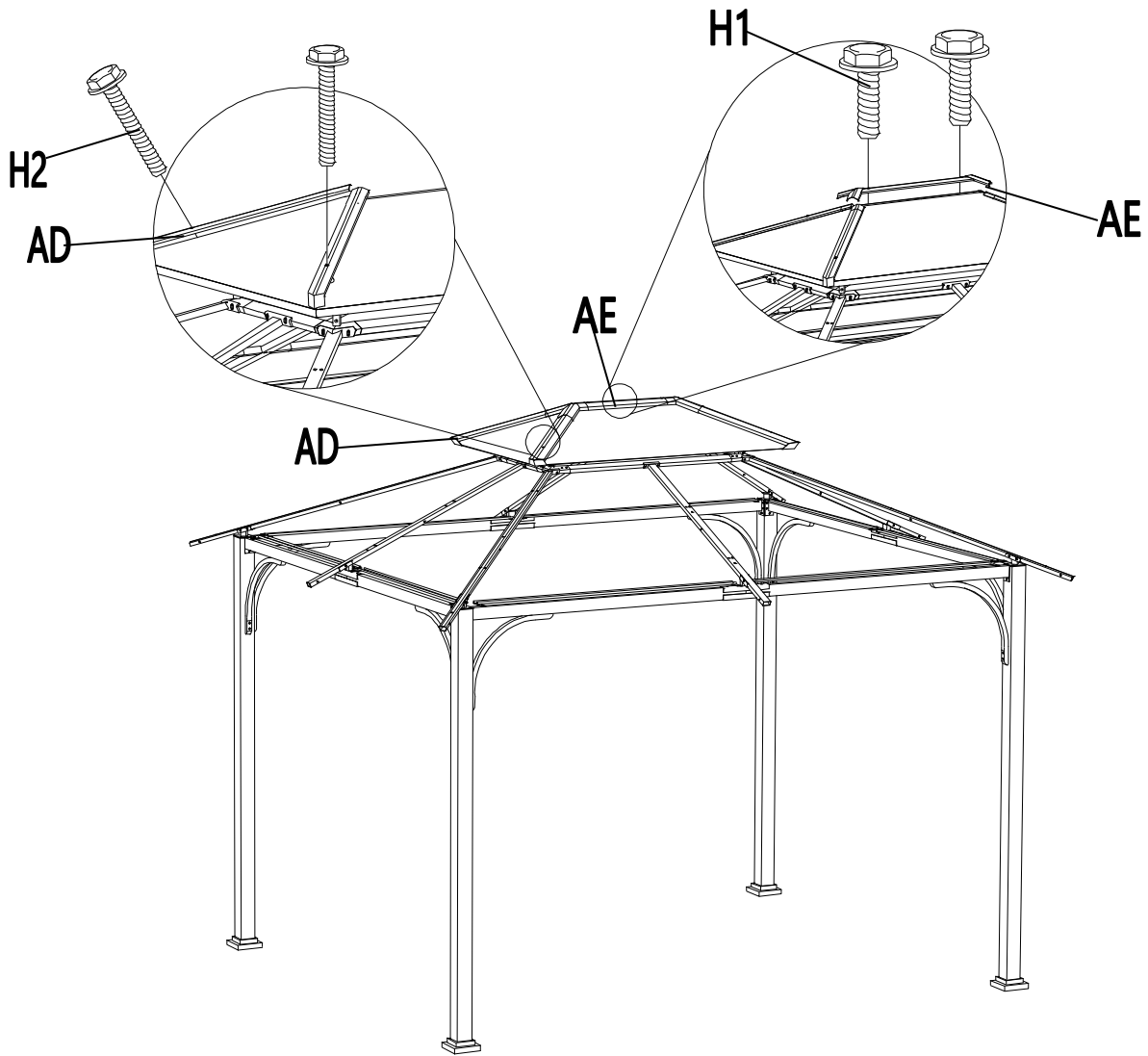
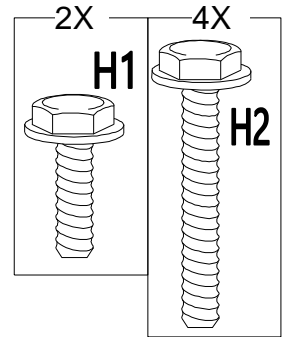
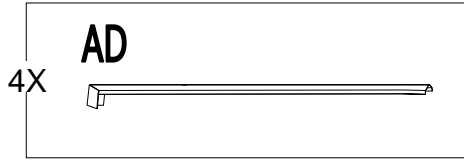
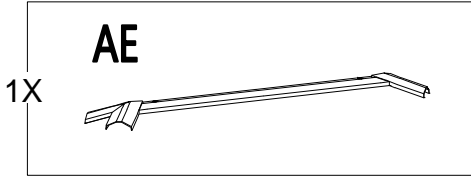
11



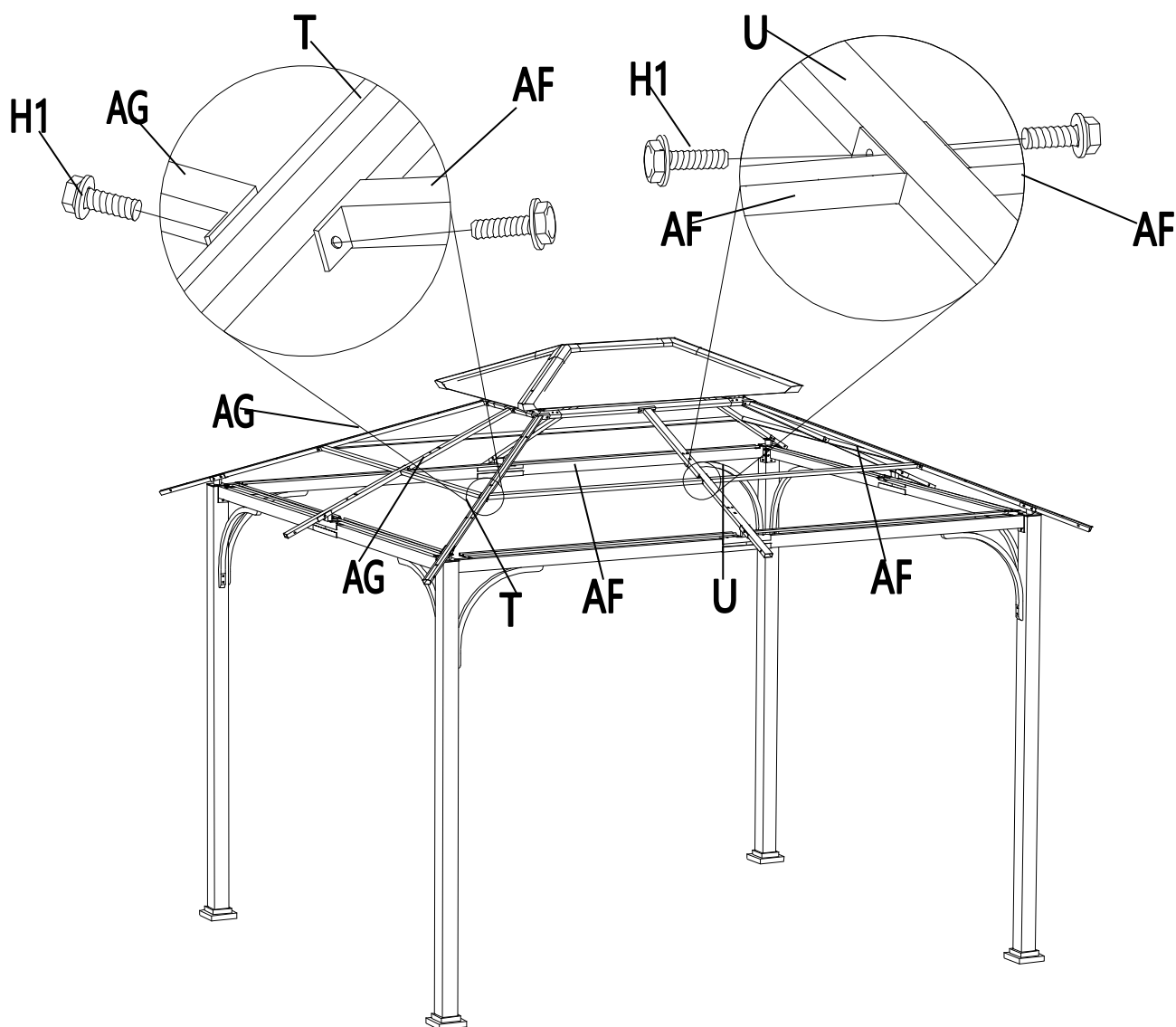
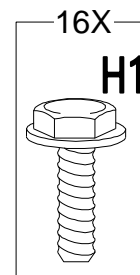
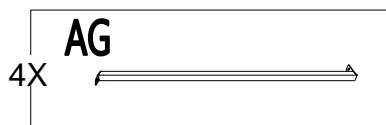
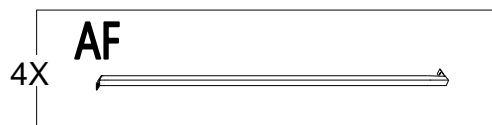
12



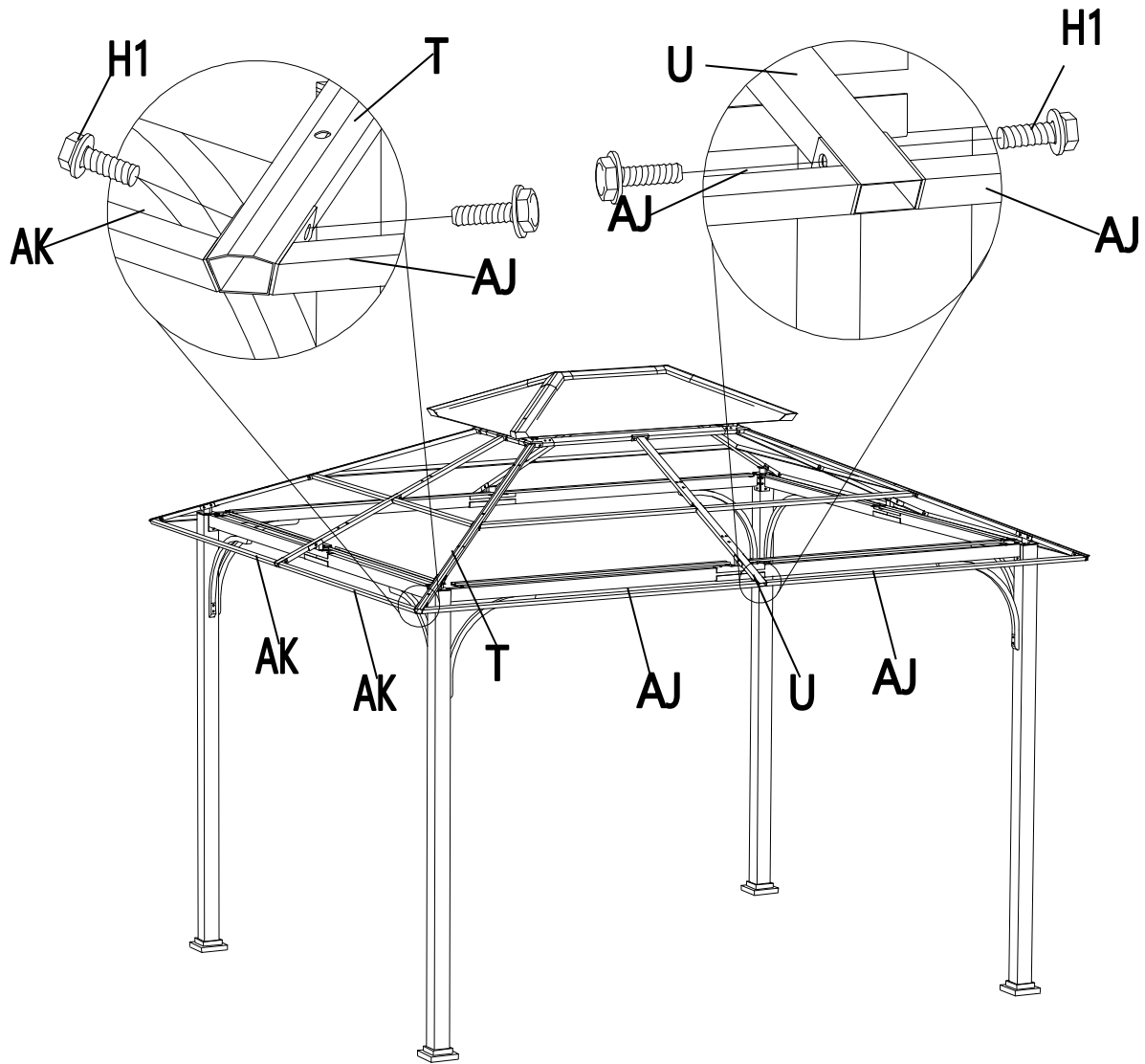
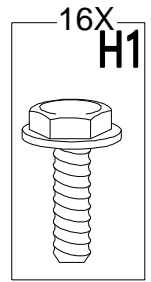
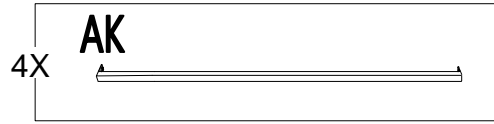
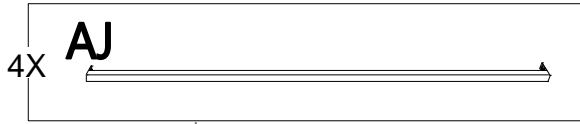
13



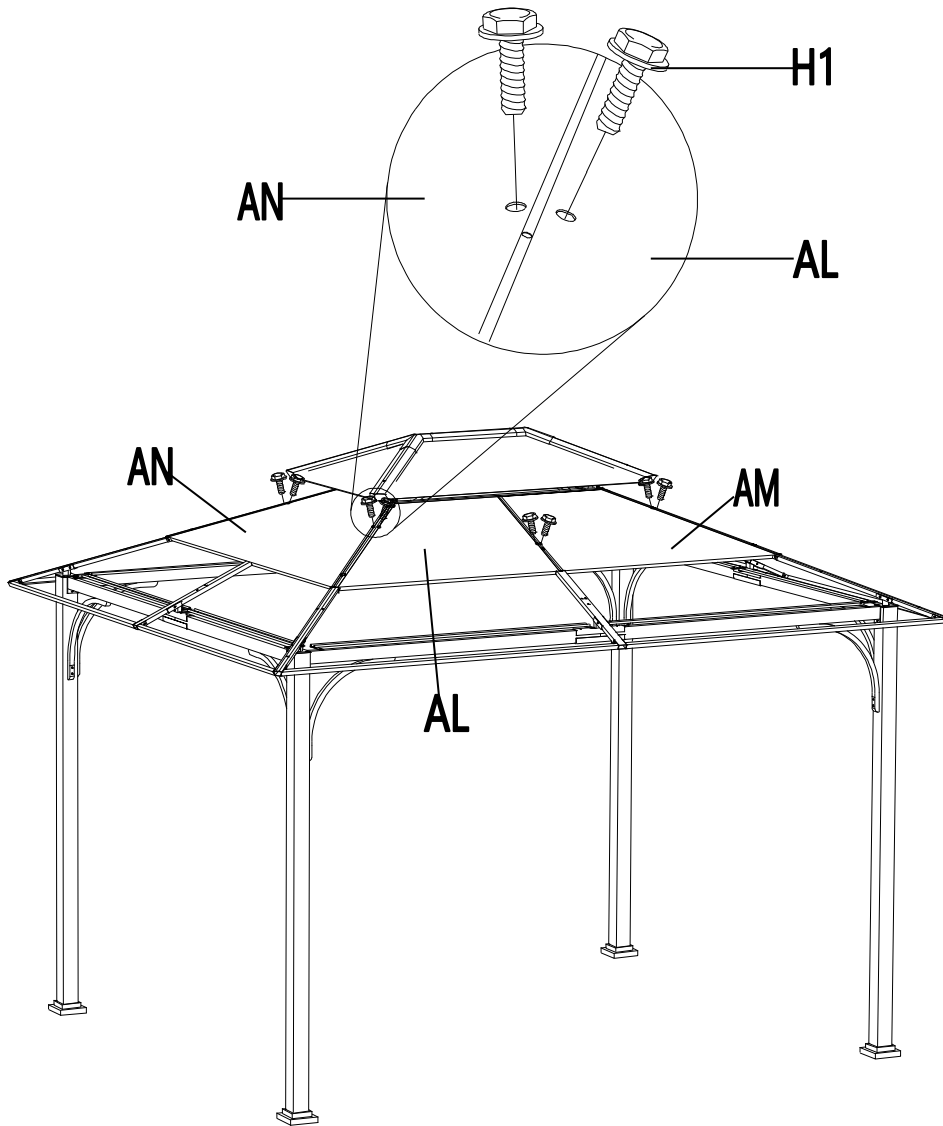
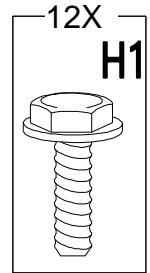
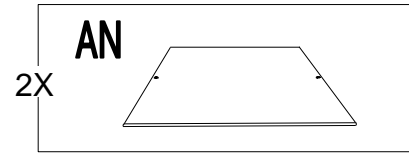
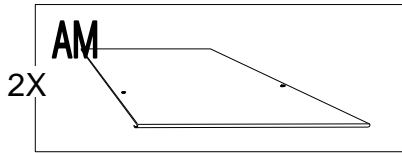
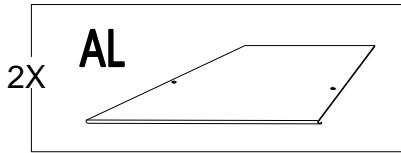
14



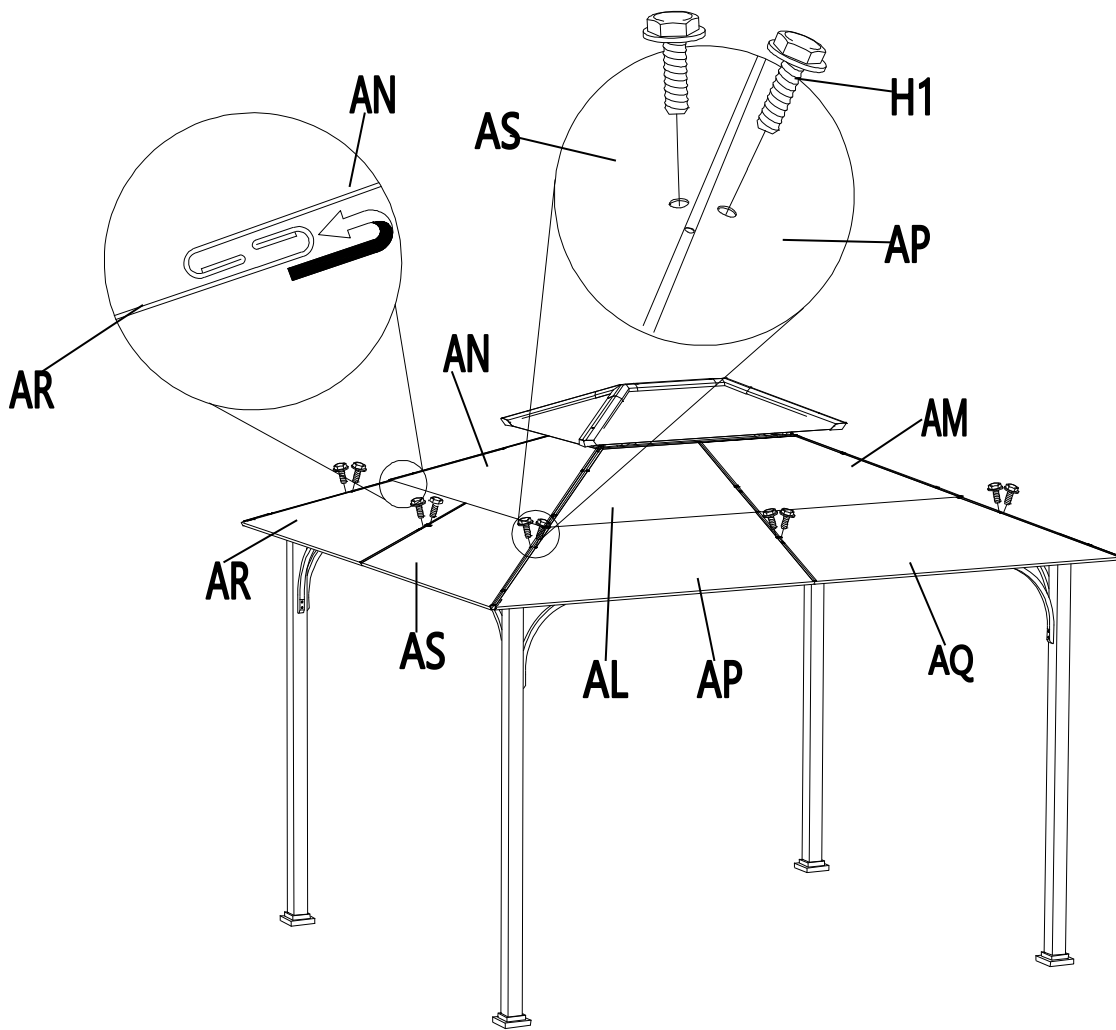
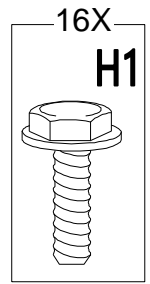
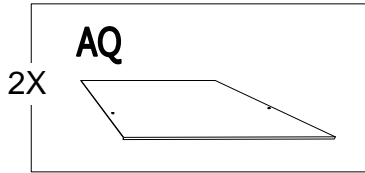
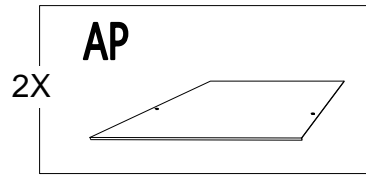
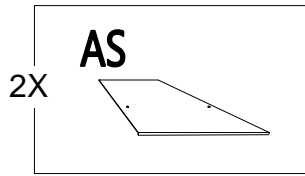
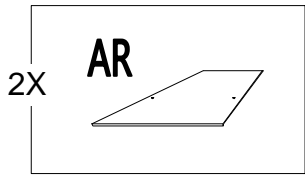
15



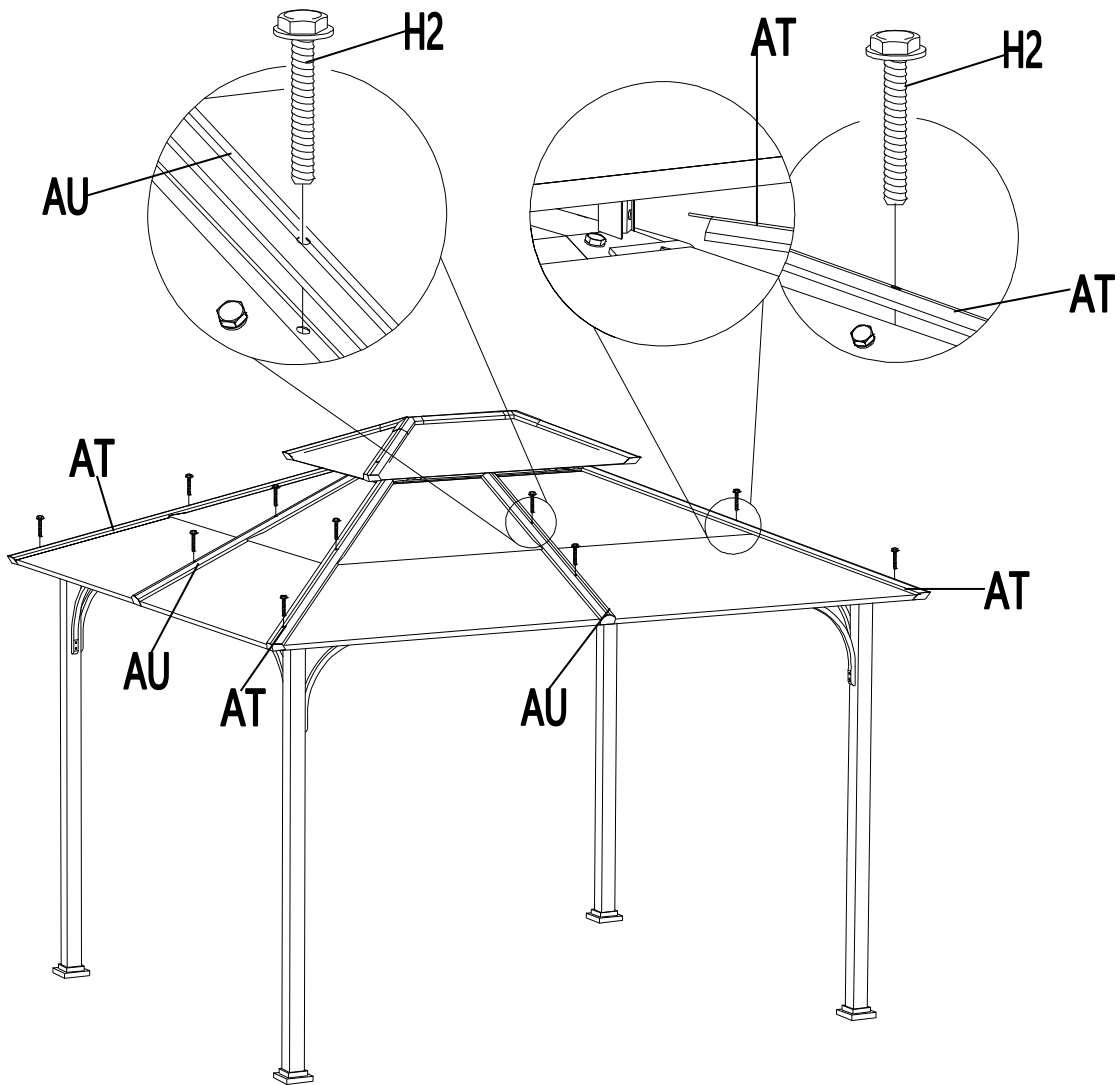
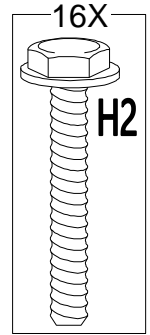
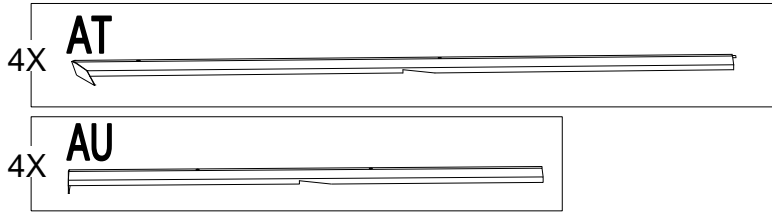
16



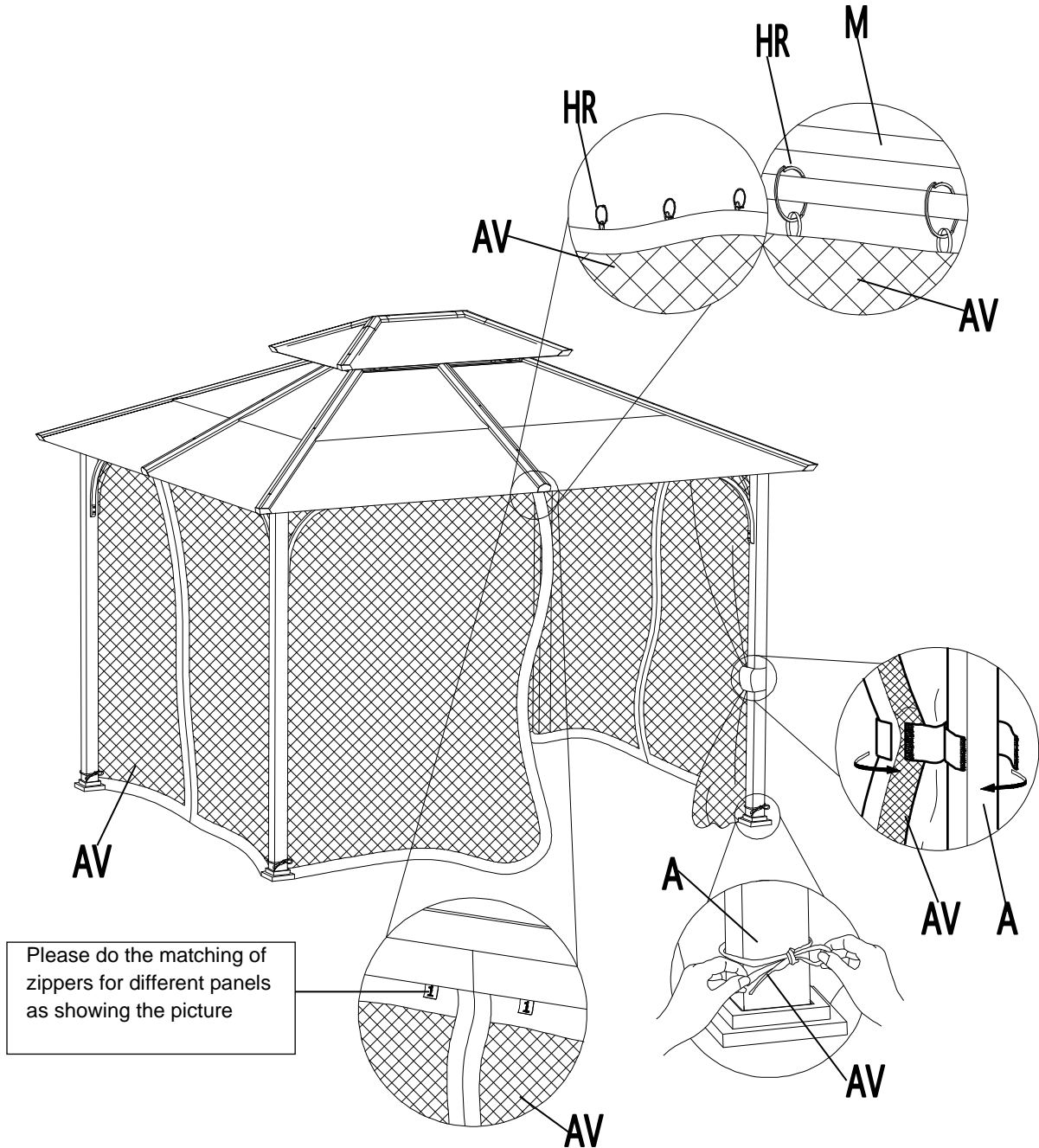
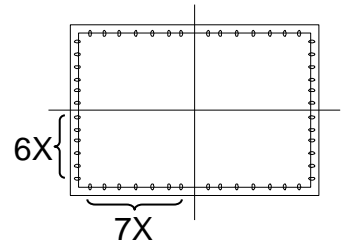
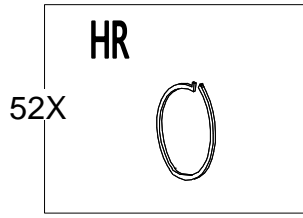
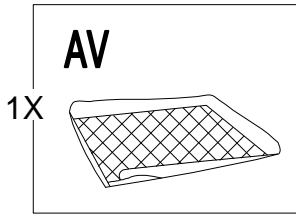
17



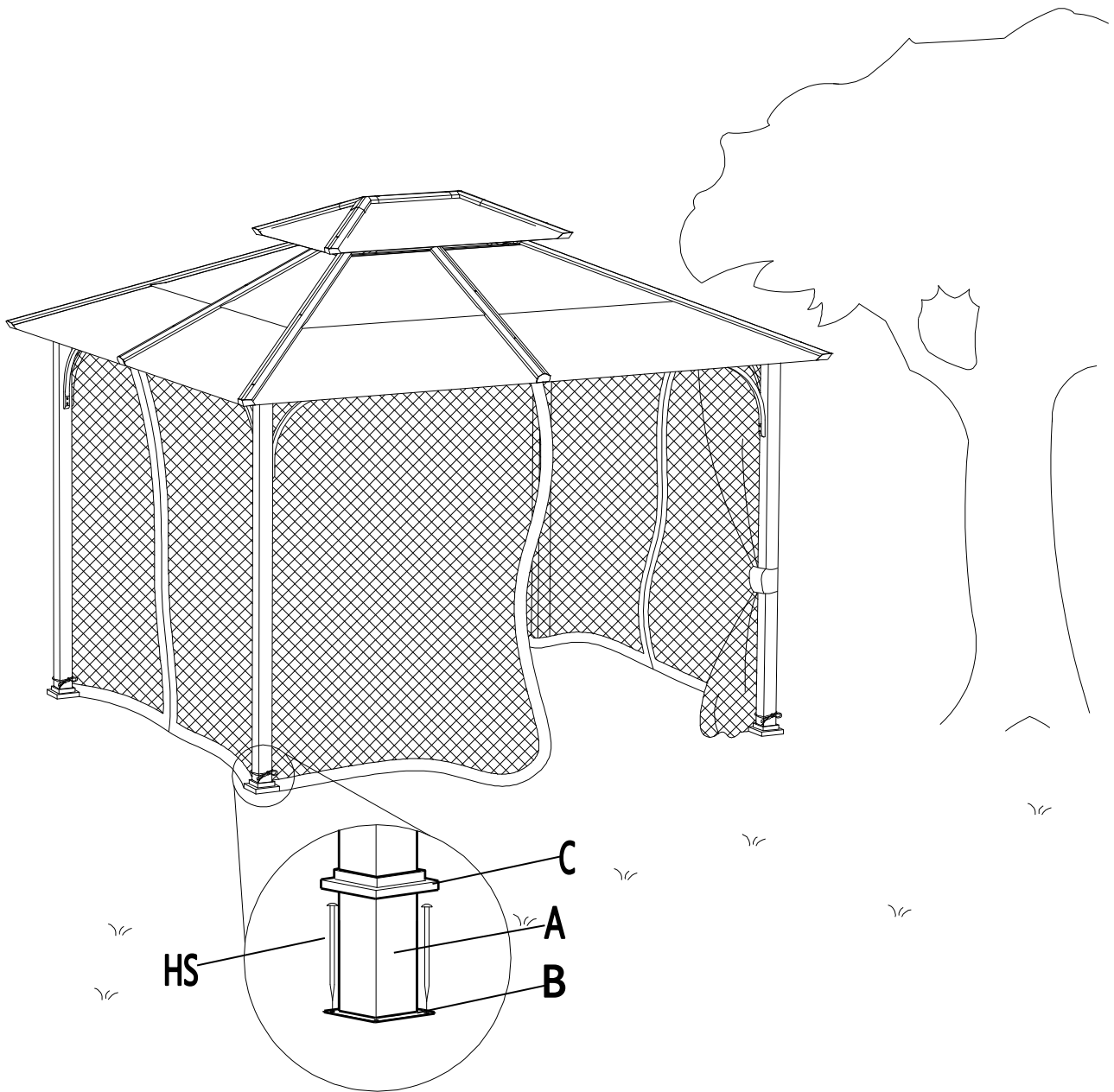
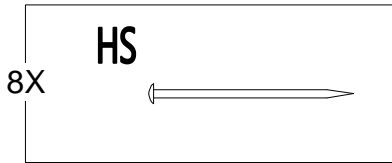
18



19



20



Care and Maintenance

Before using, clean the Chair completely with a soft dry towel. When not in use, wipe free of any dirt or loose objects, wash with a mild solution of soap and water; rinse thoroughly and dry completely. Do not use strong detergent or abrasive cleaners. Over time nuts and bolts can loosen. Occasionally, check nuts and bolts, re-tighten if necessary.

Limited Manufacturer's Warranty

SUNJOY Group warrants to the original purchaser that this item is free from defects in workmanship and materials for a period of 1 year from the date of purchase, provided the item was factory-sealed at the time of purchase and is maintained with care and used only for personal, residential purposes. Should any manufacturing defect arise within this warranty period, SUNJOY Group will replace (at our option) any defective merchandise or parts upon proof of purchase; however, transportation and delivery costs, as well as payments to a third party for assembly or disassembly of the item, remain the responsibility of the purchaser. A purchaser of an "open box," previously-returned, or "clearance" item, as well as original purchasers outside of the warranty period, may obtain replacement parts from SUNJOY Group for products in current production, at nominal cost.

Exclusions

Items used for commercial, contract, or other non-residential purposes, or items damaged due to acts of nature, vandalism, misuse, or improper assembly are not covered. Corrosion or rusting of hardware is not covered. Proof of purchase (dated register receipt) is required for warranty claims. Warranty is to the original purchaser and is non-transferable. Any replacement of warranted items will be in the original style and color, or a similar style and color if the original is unavailable or has been discontinued. As some states do not allow exclusions or limitations on an implied warranty, the above exclusions and limitations may not apply. This warranty gives you specific rights, and you may also have other rights, which vary from state to state.