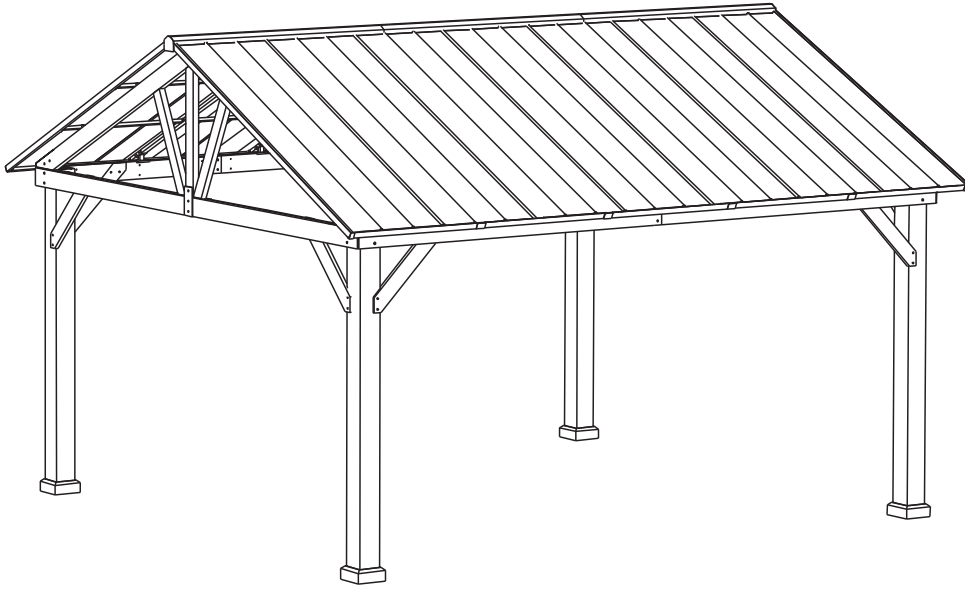


ASSEMBLY INSTRUCTION
ITEM#: A102008110



WE HAVE YOU IN MIND, LET US SERVE YOU!

Questions? Issues?

CONTACT US

24 hours / 7 days a week

 www.sunjoyonline.com

 customer.care@sunjoygroup.com



A10200811022

Important Safety Instructions



Warning! To reduce the risk of serious injury, read the following safety instructions before assembling and using the gazebo.

Please check with your local governing authority/local municipal codes regarding installation of structures before assembly.

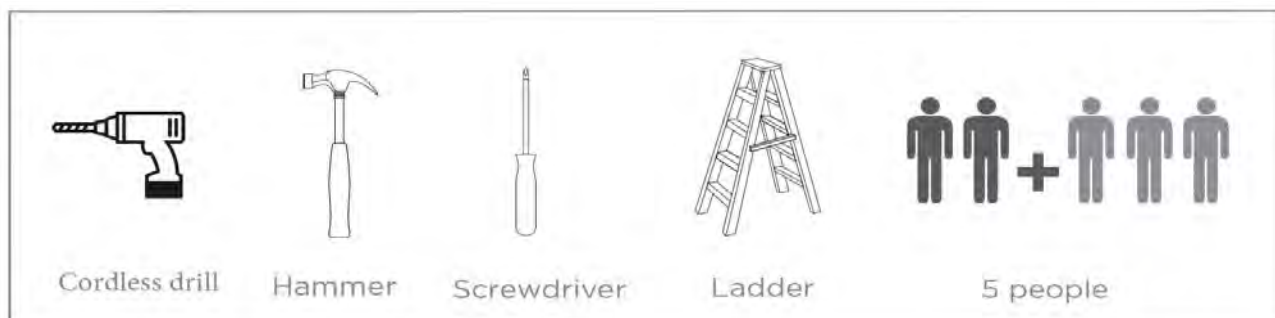
Caution! Proper placement of your gazebo is essential.
Do not place the product underneath electrical lines.
Keep children away during assembly.
This product contains small parts which can be swallowed by children.
Keep fingers away from the places where they can be pinched or trapped.
Do not attempt to assemble the gazebo if any parts are missing.

- This product is intended for domestic outdoor use only.
- The product should be placed on flat, horizontal ground.
- Ensure enough clearance around the product. Before assembling the product, find level ground not less than 6' (1.8 m) away from any structures or obstructions, such as fences, garages, houses, overhanging branches, laundry lines, or electrical wires.
- This gazebo is not to be regarded as part of a building/house structure. The gazebo is to be anchored onto the ground for added safety. Do not assemble the gazebo onto soil/earth ground. It is best advisable to have the gazebo built onto a wooden deck or concrete ground for stability. If it is to be build onto a wooden deck/ground, do ensure that the wooden deck/ground has a strong foundation. It is advisable to use appropriate floor plugs (not provided) to anchor the gazebo onto the wooden/concrete ground.
- Some structures may require two or more people to install safely. Check for underground utilities before digging or driving stakes into the ground.
- During installation, follow all safety warnings provided with your tools, and use safety glasses.
- In case you set up more than one gazebo, keep a minimum distance of 10' (3 m) between the gazebos.
- Any assembly or maintenance of the product must be carried out by adults only.
- Arrange necessary manpower when assembling or moving the product.
- Some parts may contain sharp edges. Wear protective gloves if necessary.
- Keep children and pets away while setting up the gazebo.
- Check all nuts and bolts periodically to ensure bolts/nuts are tightened.
- Repairing and replacing parts should be done by a qualified technician.
- This gazebo is intended for decorative and sunshade purposes only, and it is not designed to withstand harsh weather, including high winds, rain, and snow.
- Do not light any fires inside or near the product!
- Stay calm if fire breaks out. Search for the nearest exit. Do not return to the gazebo before firemen allow you to do so.
- Do not hang heavy weights on the roof frame.
- Do not climb onto the roof of the gazebo. Falling off the gazebo can result in serious injury.
- Retain the original packaging to store the gazebo.

Country of Origin: Malaysia

IMPORTANT:

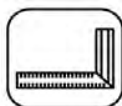
- Please read and understand this manual before any assembly. Before beginning assembly of product, make sure all parts are present. Compare parts with packaging contents list.
- **When assembling wooden parts, do not overtorque the bolts to avoid splitting the wood. See image illustration.**
- Place all parts from the box in a cleared area and position them on the floor in front of you.
- Remove all packing materials and place them back into the box. Do not dispose of the packing materials until assembly is complete.
- Needed for assembly: (The following tools are not included)



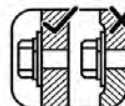
This identifies information that requires special attention. Improper assembly could lead to an unsafe or dangerous condition.

**Use Level**

Check that set or assembly is properly level before proceeding.

**Square Assembly**

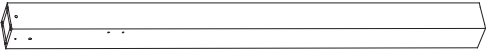














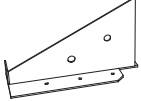
Check that assembly is square before tightening bolts.

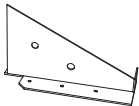

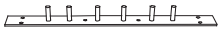




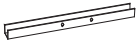


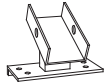



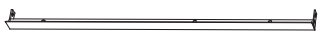




**Tighten Bolts**






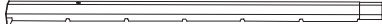





Do not overtorque mounting bolts. Over-tightening may cause the wood to crack creating splinters and other structural damage.

**Measure Distance**

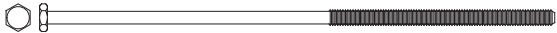
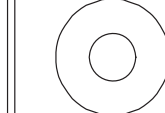
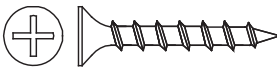

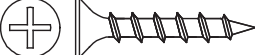
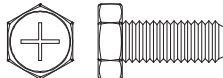

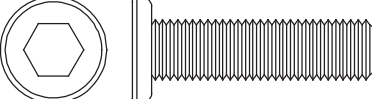
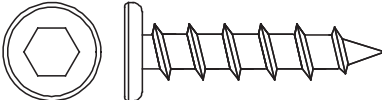
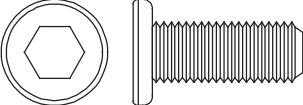
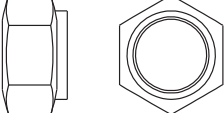
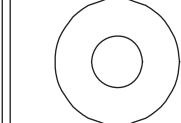
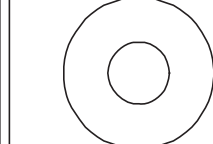
Part List

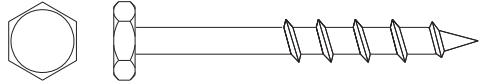
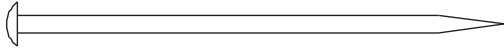
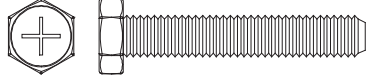

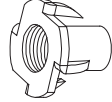
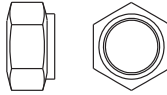

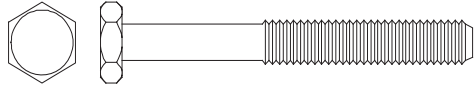



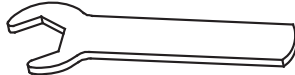
Description	Label	Part Number	Qty	Part Image
Post	08	P000200227	4	
Arc Support 1	10	P005000200	4	
Arc Support 2	11	P005000201	4	
Outer Long Left Beam (Short)	01	P000400506	2	
Outer Long Right Beam (Short)	02	P000400507	2	
Inner Long Beam	05	P000400510	4	
Inner Short Beam (Short)	07	P000400511	4	
Outer Long Left Beam (Long)	16	P000400946	2	
Outer Long Right Beam (Long)	17	P000400947	2	
Inner Short Beam (Long)	18	P000400948	4	
Triangular Support Beam	22	P000601468	4	
Triangular Middle Support Beam	23	P005000439	2	
Triangular Frame Slanting Beam	24	P005000438	4	
Base Cover	B	P006100177	4	
Base	C	P000100338	4	
Triangular Connector 1	C1	P000501250	2	

Triangular Connector 2	C2	P000501251	2	
Triangular Connector 3	C3	P000501252	4	
Beam Upper Connector	D	P000501253	2	
Triangular Upper Press	C4	P002200226	2	
Big Roof Beam 1	F3	P000601458	2	
Big Roof Beam 2	F4	P000601459	1	
Roof Beam Connector 1	G1	P000501247	2	
Roof Beam Connector 2	G2	P000501248	2	
Roof Beam Connector 3	G3	P000501249	2	
Big Roof Middle Beam	H1	P00060209301	8	
Middle Beam Lower Connector	I	P00050161901	8	
Support Tube 1	J1	P005000434	4	
Support Tube 2	J2	P005000435	2	
Hook	P	P005800001	1	
Big Roof Lower Tube 1	L5	P00060209401	2	
Big Roof Lower Tube 2	L6	P00060209501	2	
Big Roof Lower Tube 3	L7	P00060209601	2	
Big Roof Lower Tube 4	L8	P00060209701	2	
Big Roof Lower Tube 5	L9	P00060209801	2	

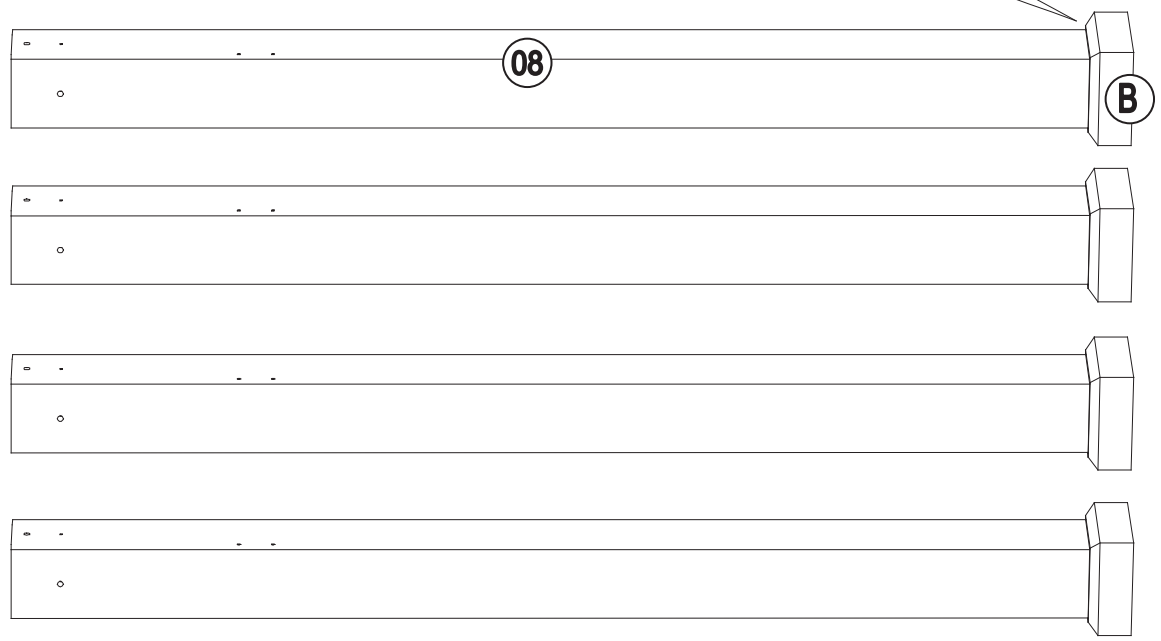
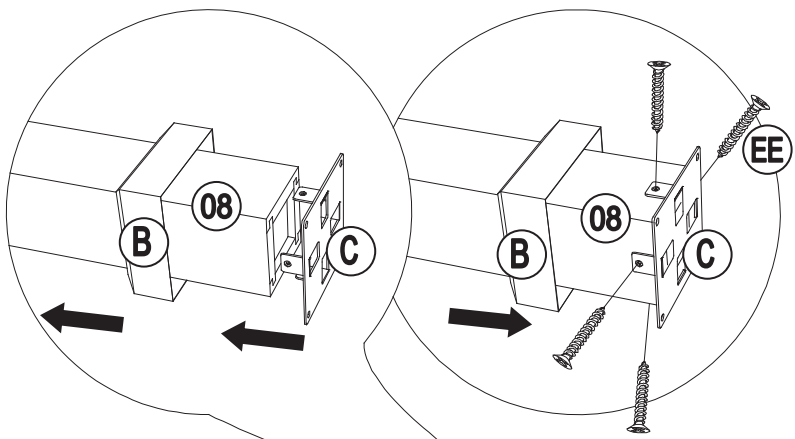
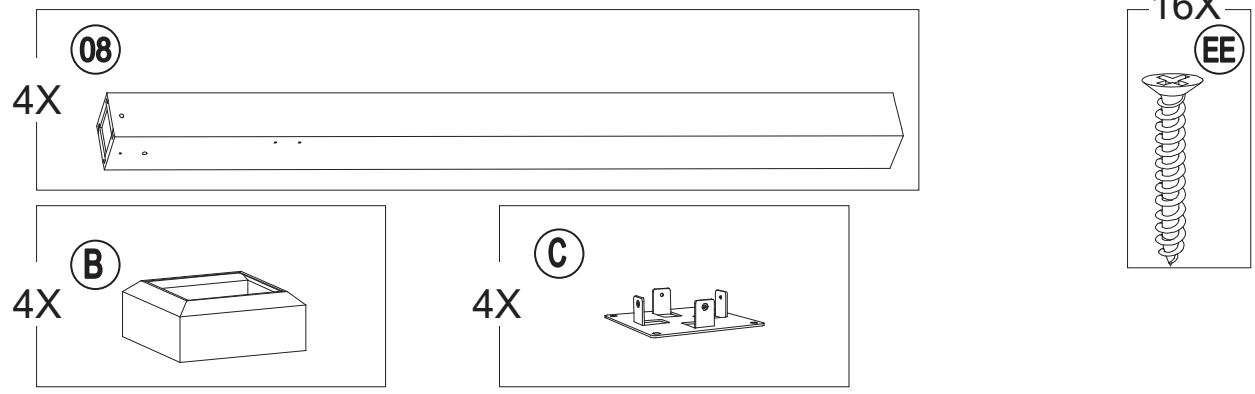
Big Roof Side Tube 1	M3	P000601466	2	
Big Roof Side Tube 2	M4	P000601467	2	
Big Roof Small Beam	N1	P000601465	20	
Small Beam Presser	O	P002200224	8	
Roof Cover	P2	P00070104001	14	
Big Roof Cover 1	R3	P000800257	2	
Big Roof Cover 2	R4	P000800258	1	
Steel Pin	S	P005100267	12	
Catch	T	P005600322	2	
Press Panel 1	U1	P00220034404	12	
Press Panel 2	U2	P00220038104	2	

Hardware Pack

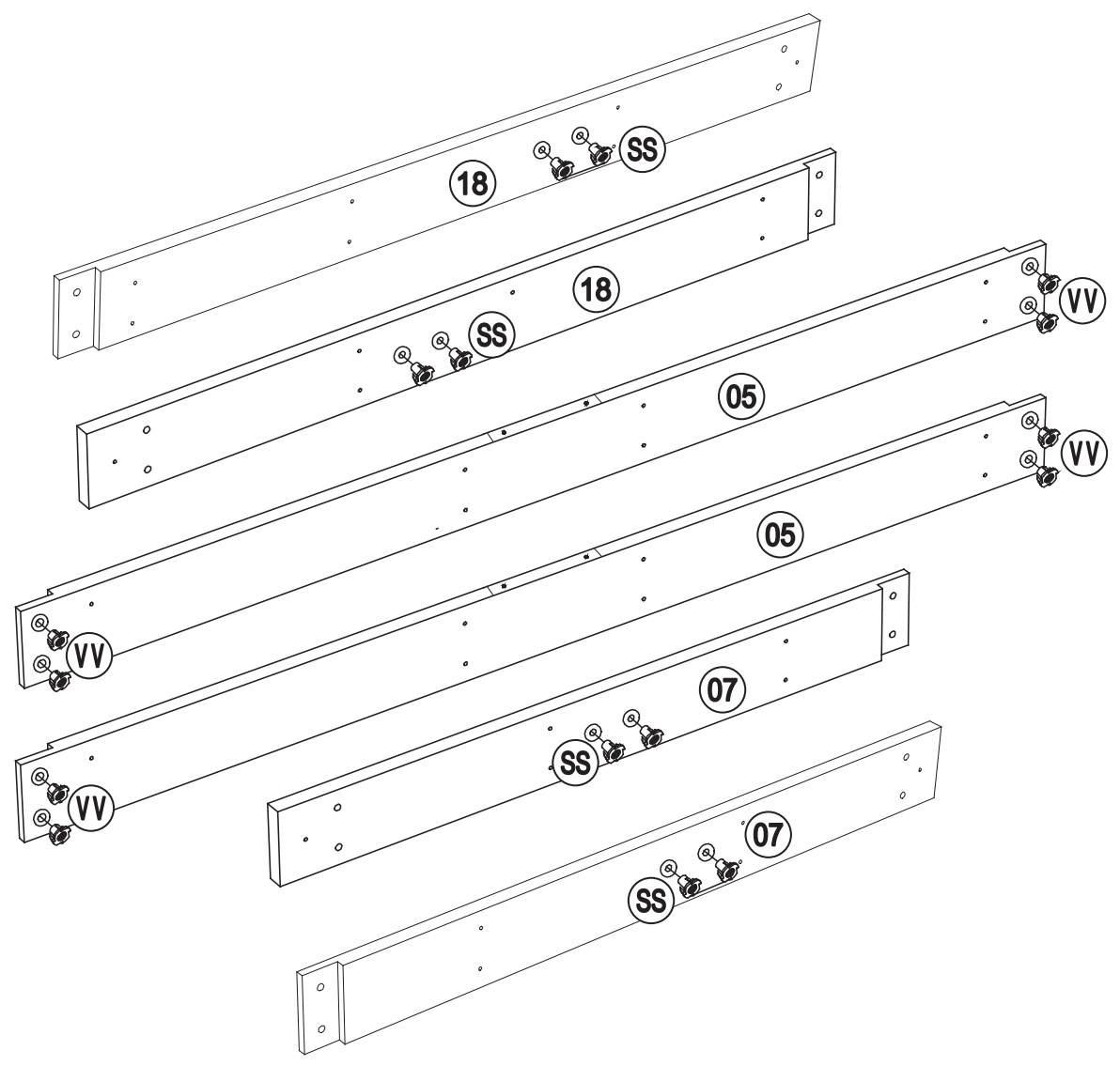
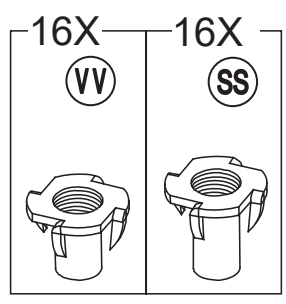
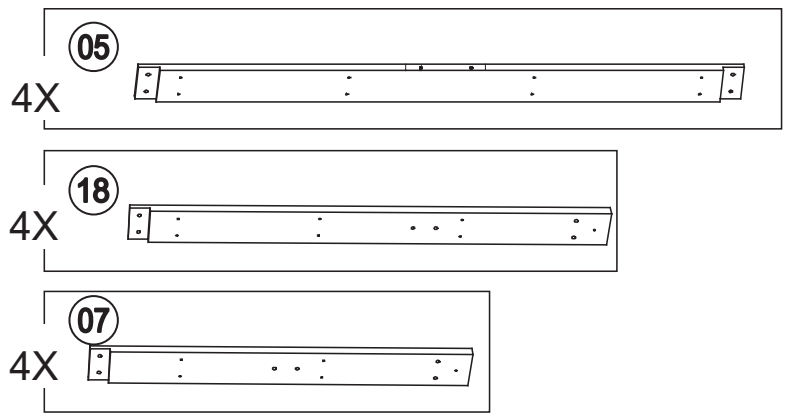
AA	Bolt M10*205	H010010276	8+1	
BB	Flat Washer M6	H050030001	194+10	
CC	Screw ST4.8*40	H030050057	80+4	
DD	Nut M6	H040010004	8+1	
EE	Screw ST4.8*30	H030050058	124+7	
FF	Bolt M6*15	H010020011	174+9	
GG	Bolt M6* 75	H010020024	8+1	
HH	Bolt M8*35	H010030083	16+1	
II	Bolt M8*35	H030030010	18+1	
KK	Bolt M8*25	H010030084	24+2	
LL	Non-slip Nuts M10	H040050020	8+1	
MM	Flat Washer M8	H050030002	78+4	
NN	Flat Washer M10	H050030003	24+2	

OO	Screw ST9.5*80	H030010031	8+1	
PP	Stake $\Phi 8*180$	H070010003	8	
QQ	Bolt M6*35	H010020013	4+1	
RR	M3 Drill	H090990002	2	
SS	T-Nut M8*20	H040090005	16+1	
UU	Non-slip nuts M8	H040050041	10+1	
VV	T-Nut M8*8	H040090004	24+2	
WW	Bolt M8*50	H010010363	10+1	
Z1	Wrench M6	H090010017	2	
Z2	Allen Key M8	H090030005	1	
Z3	Wrench M8	H090010012	2	
Z4	Wrench M10	H090010015	2	

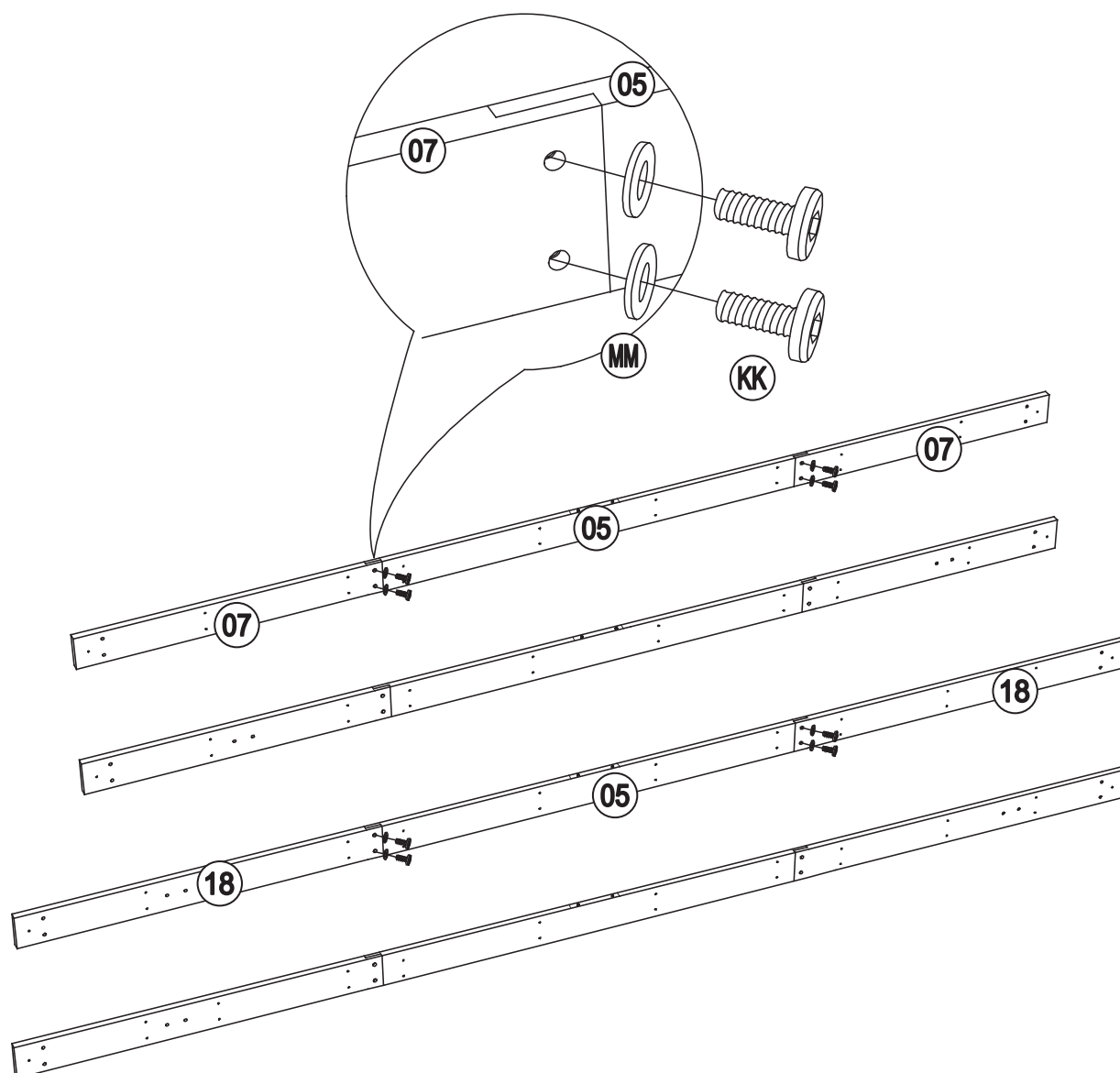
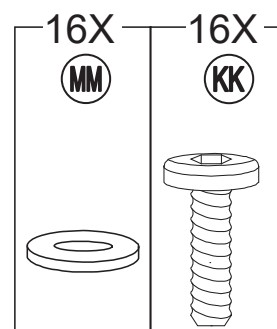
1



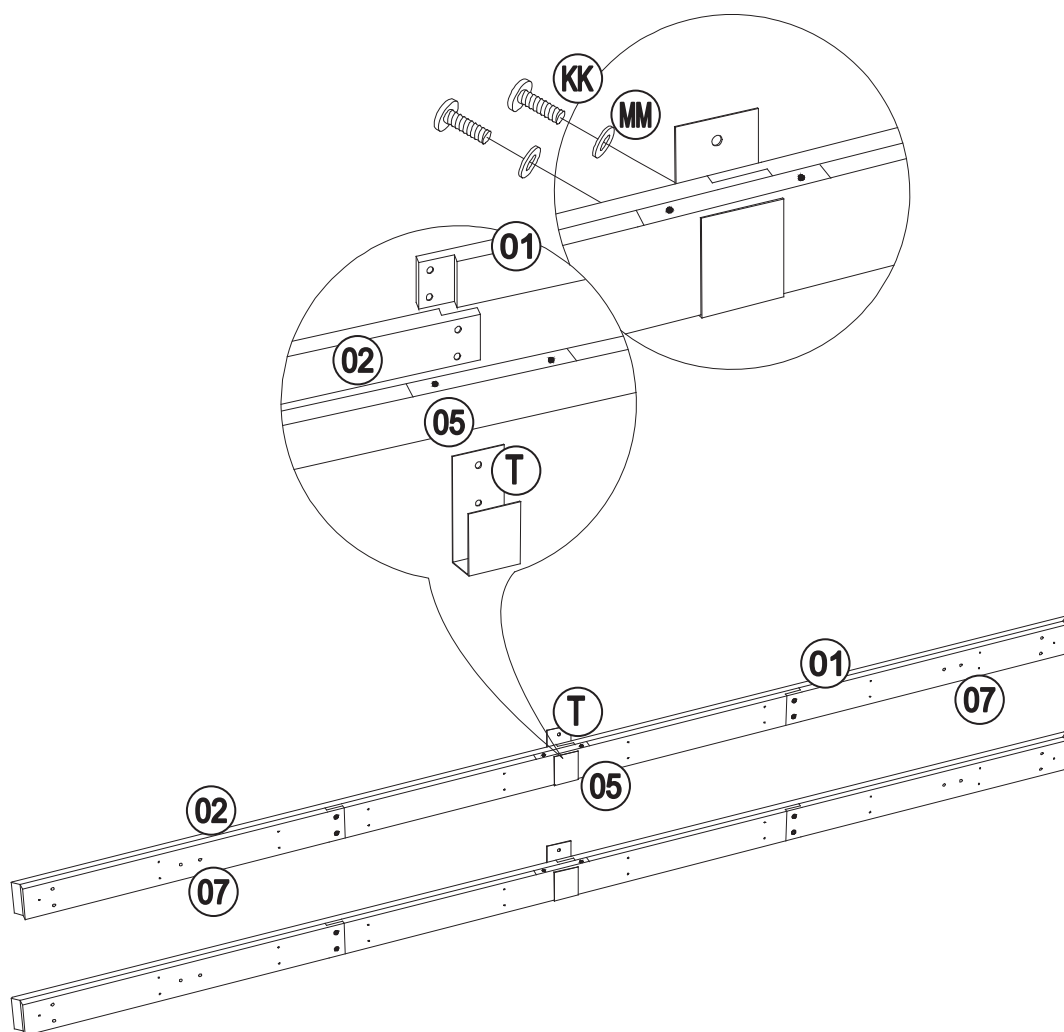
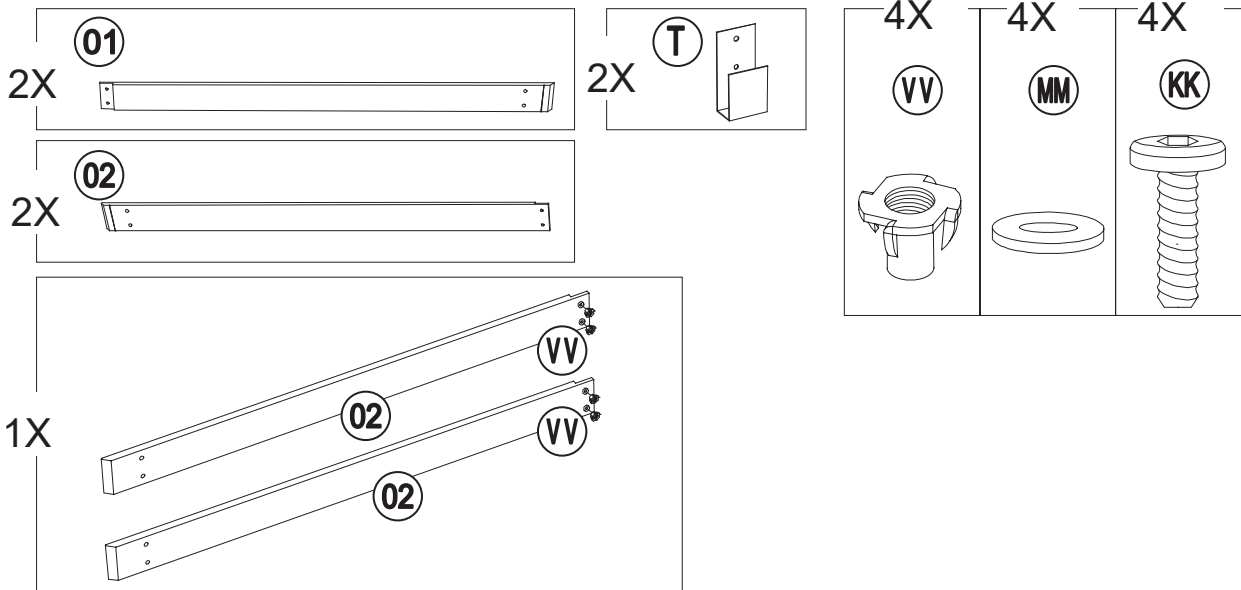
2

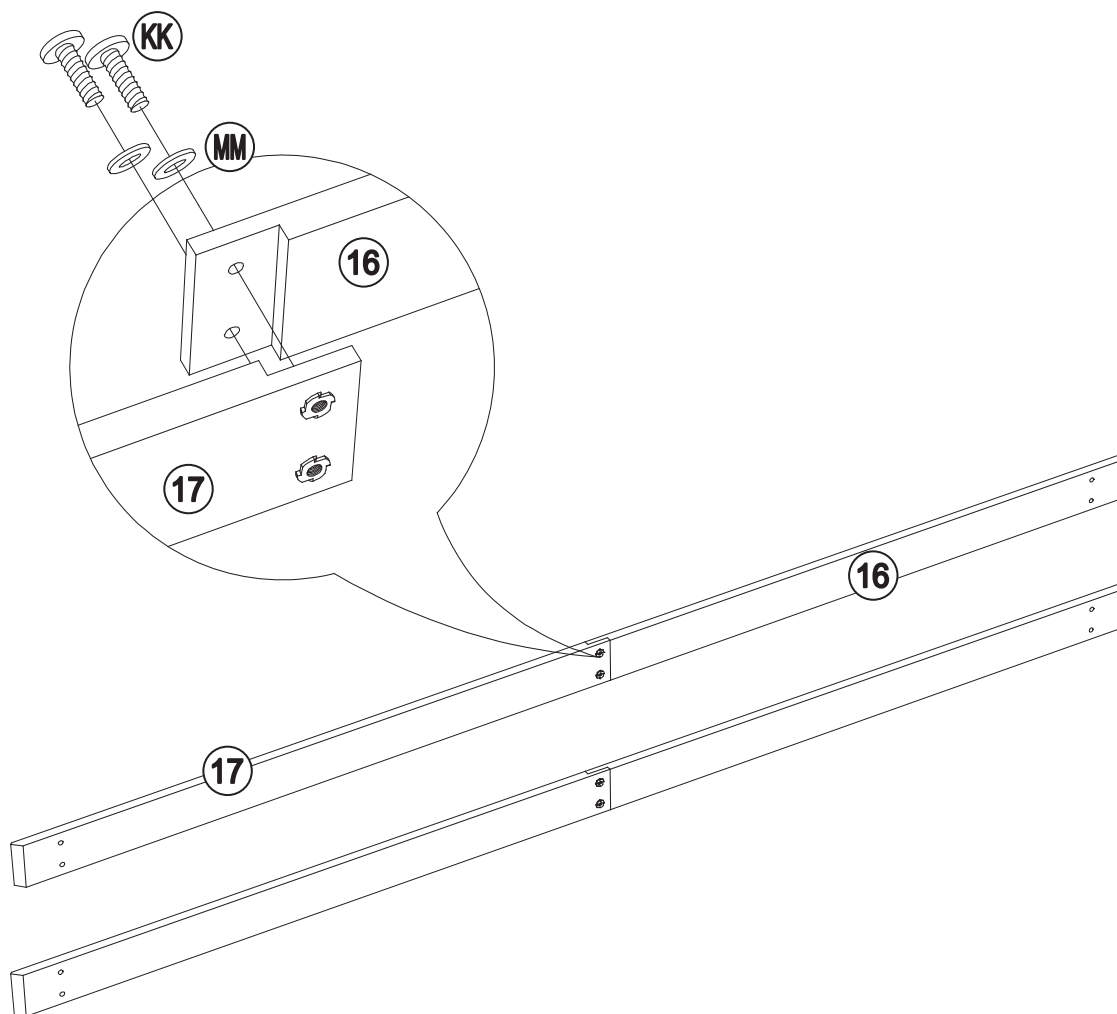
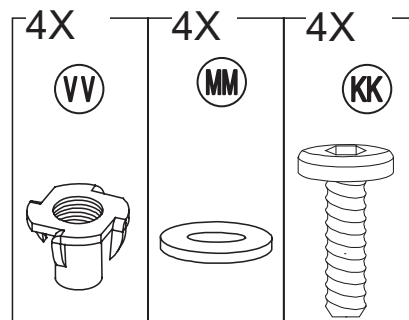
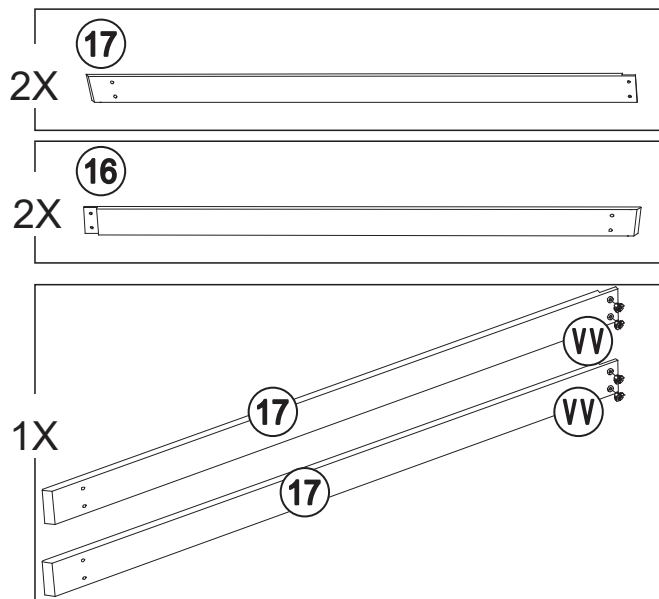


3

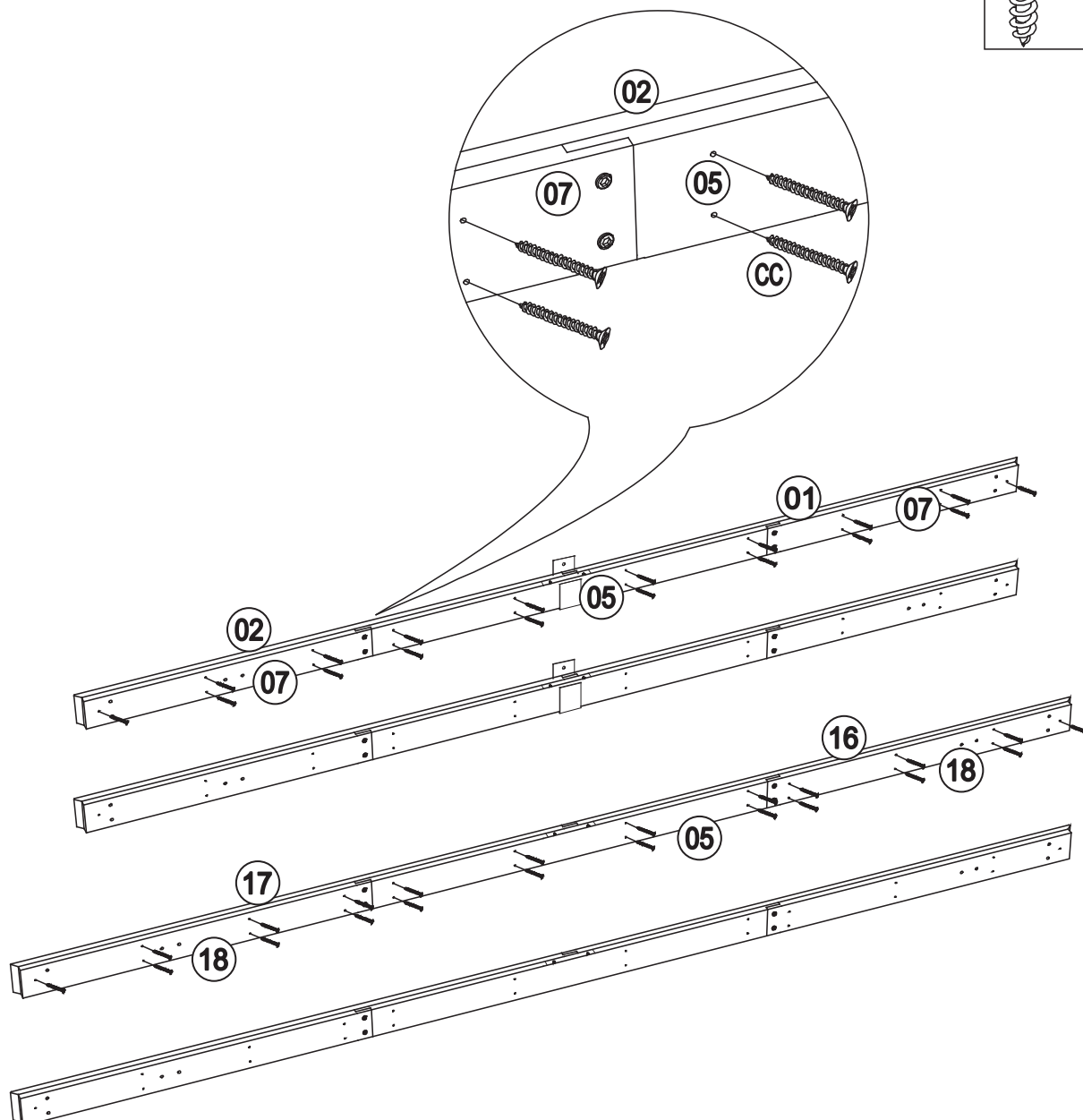
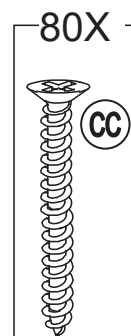


4

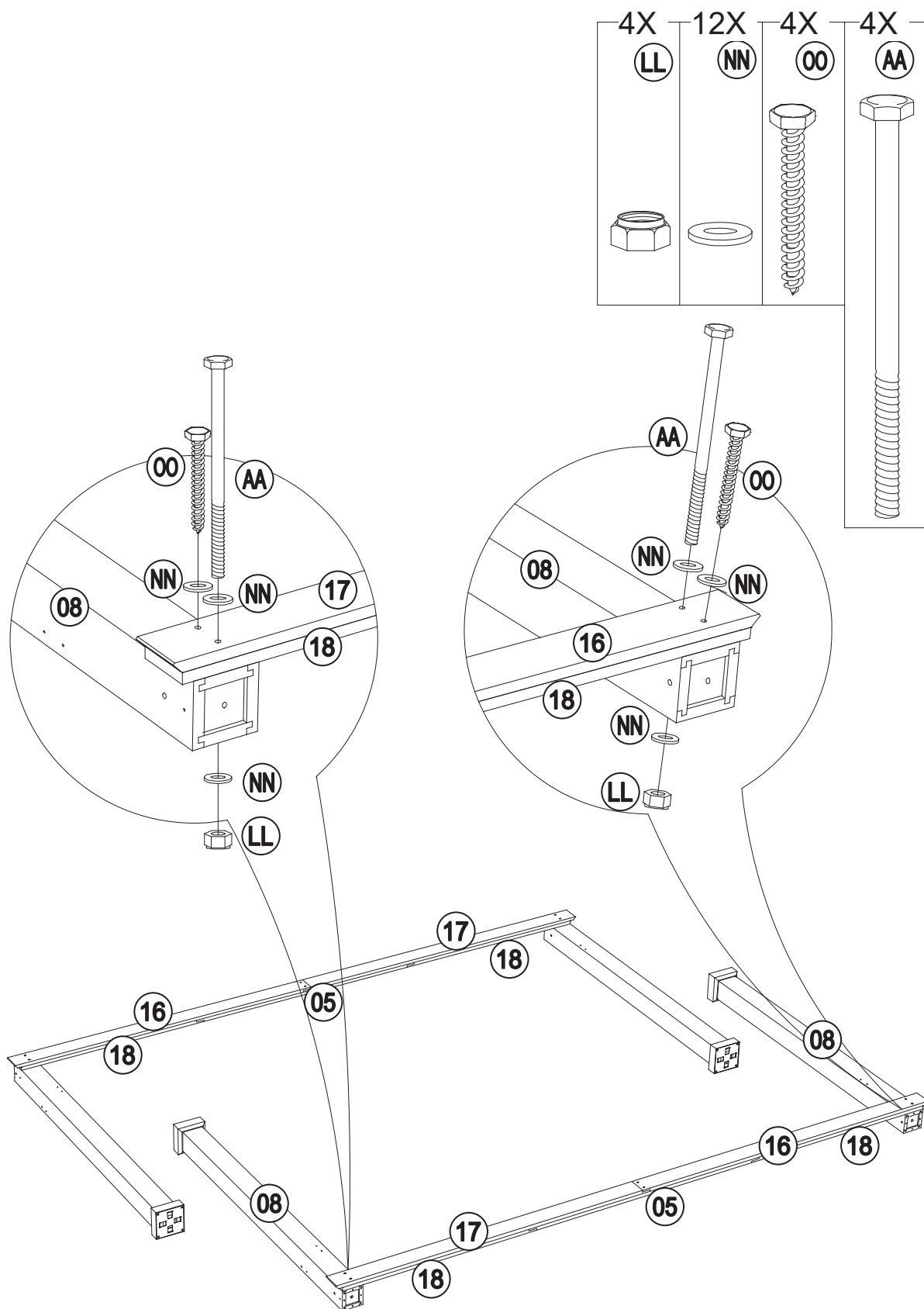


5

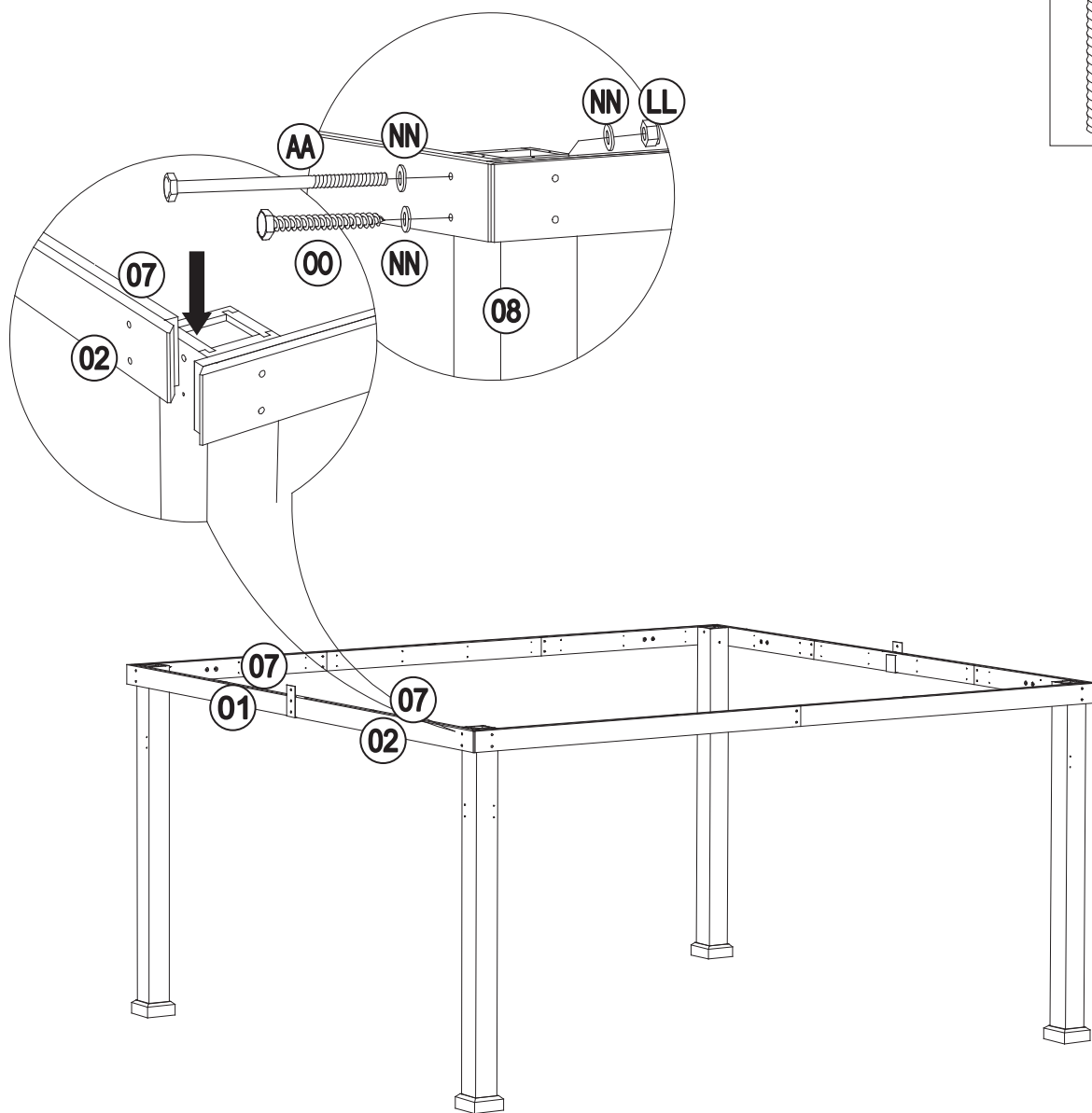
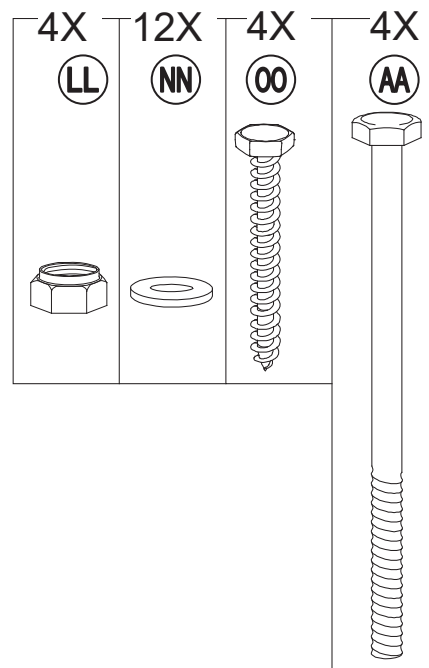
6



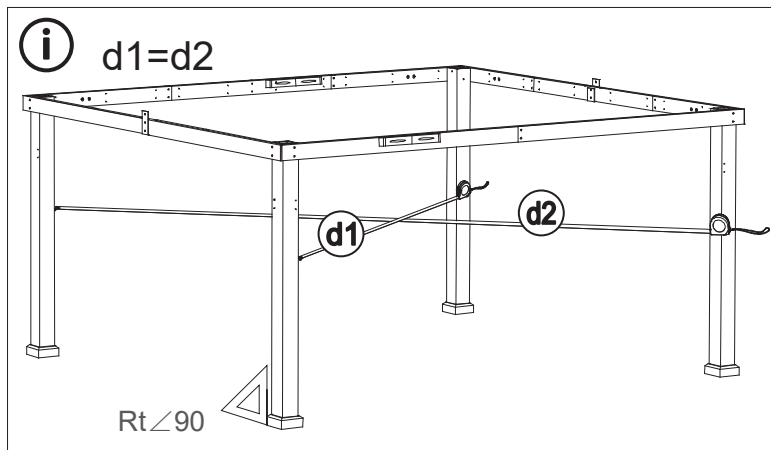
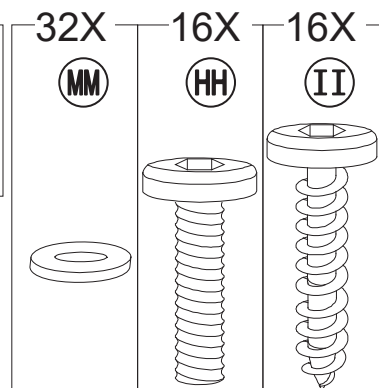
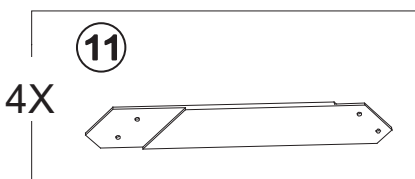
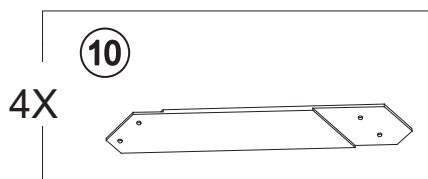
7



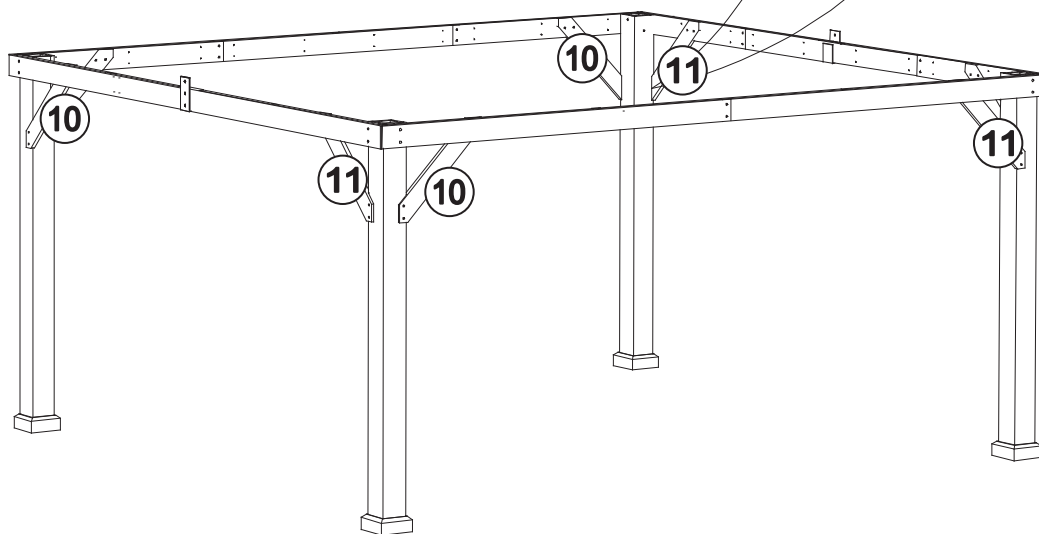
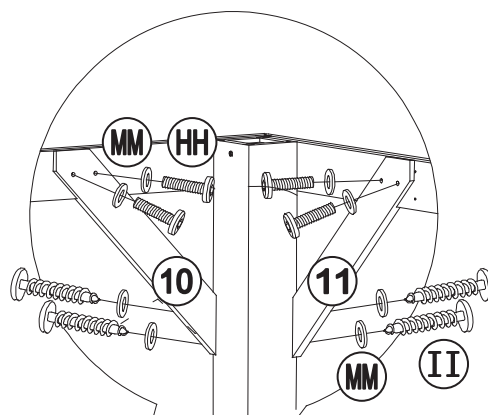
8



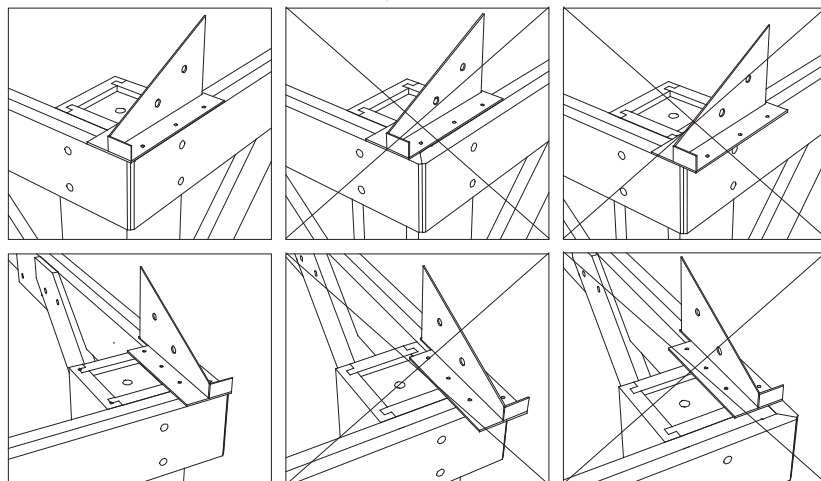
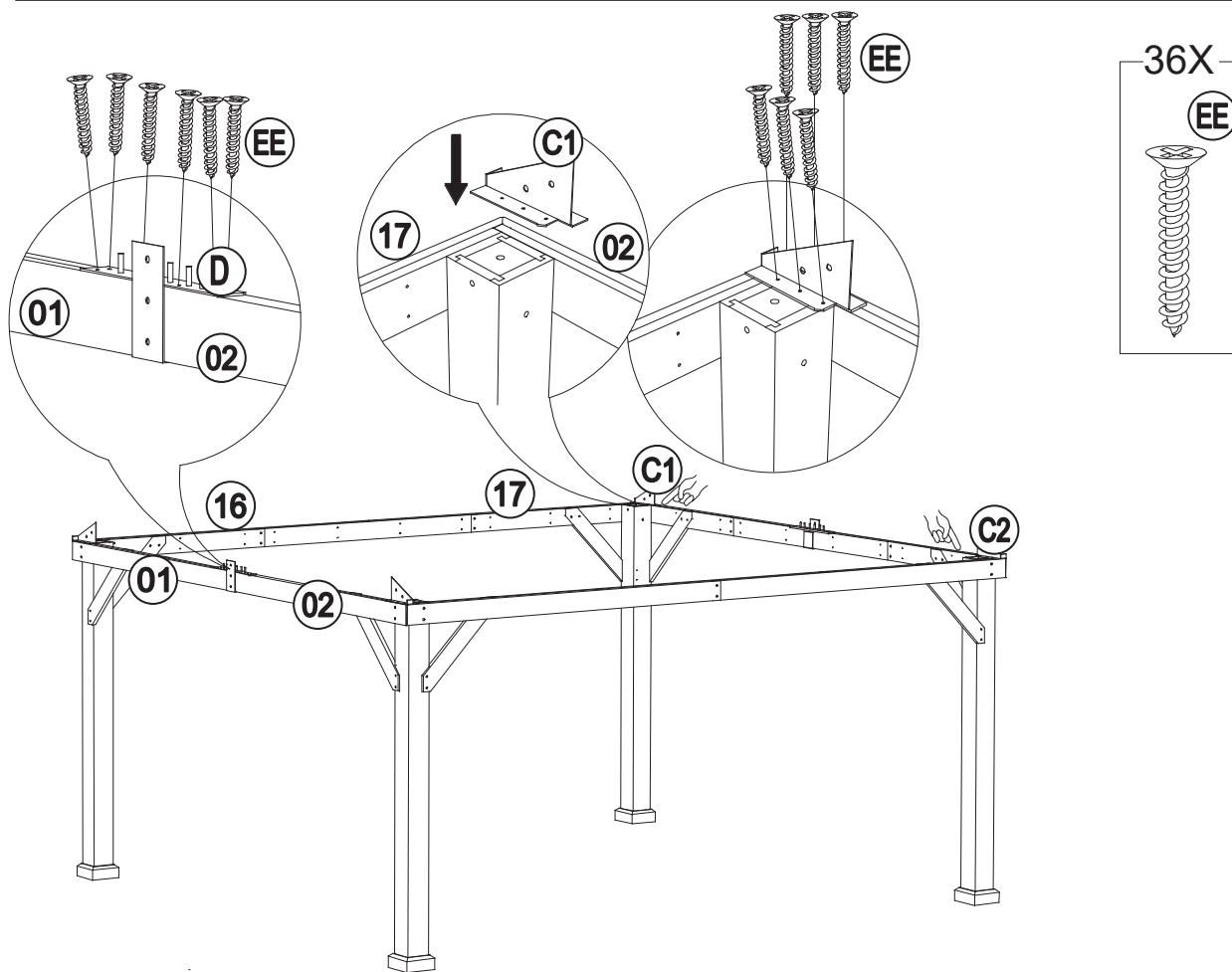
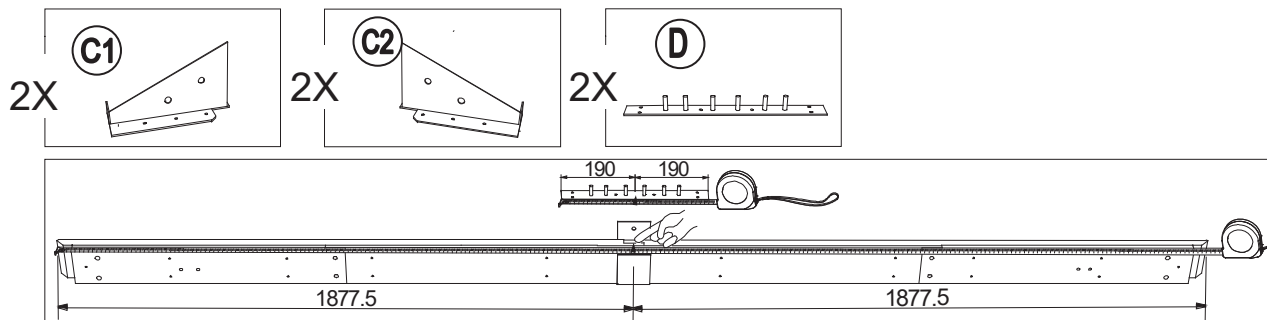
9


Assembly Tip on Step 9:

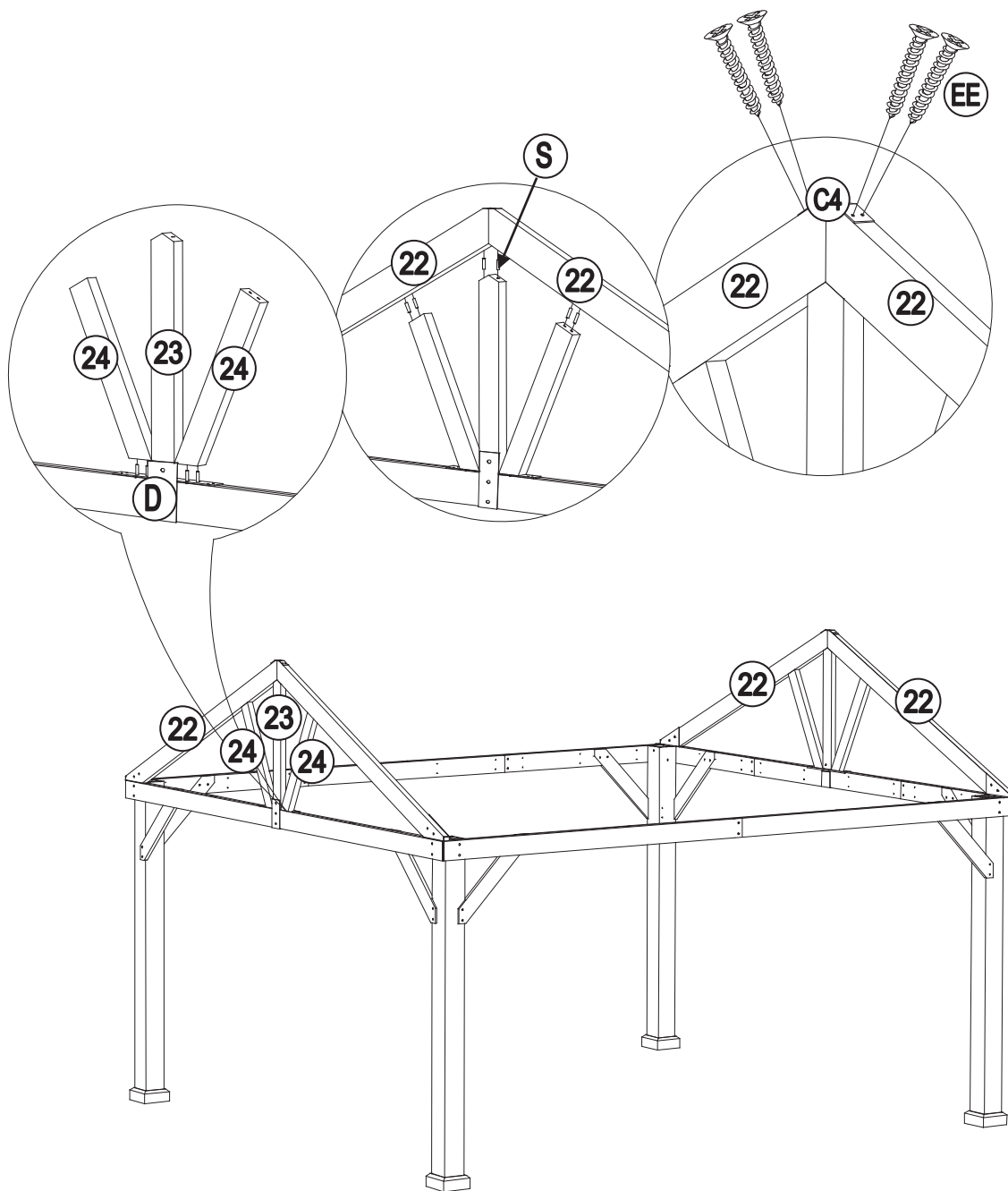
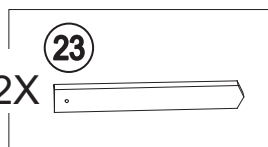
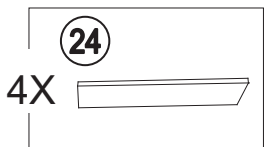
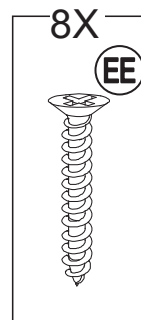
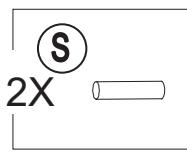
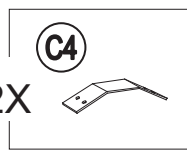
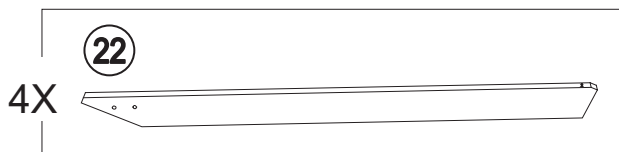
Please measure to make sure the length of d1 is equal to d2 before moving to next step to ensure a square frame and best results. Keep the beam at right angles to the post, the post at right angles to the ground, and keep the beam horizontal.



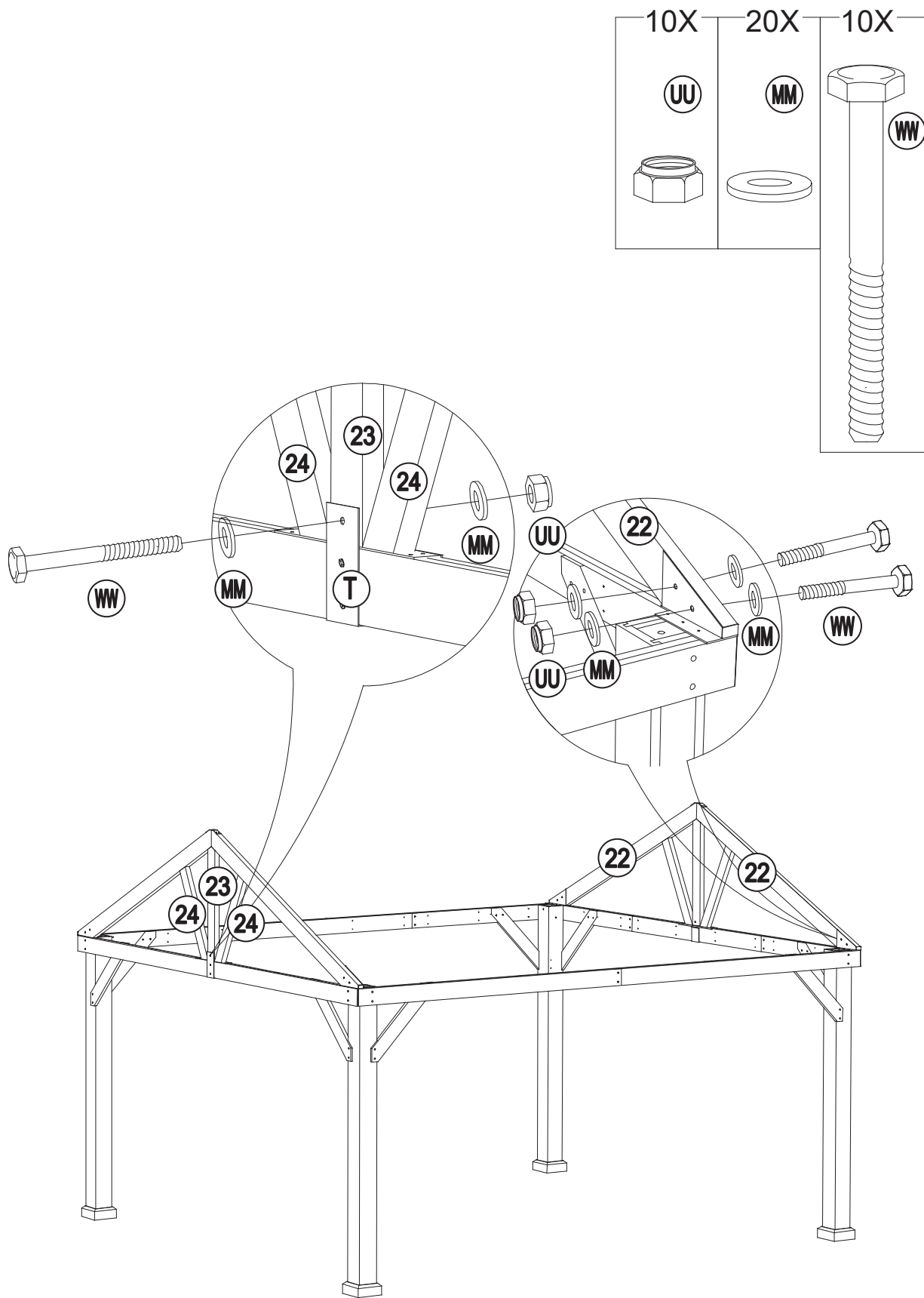
10



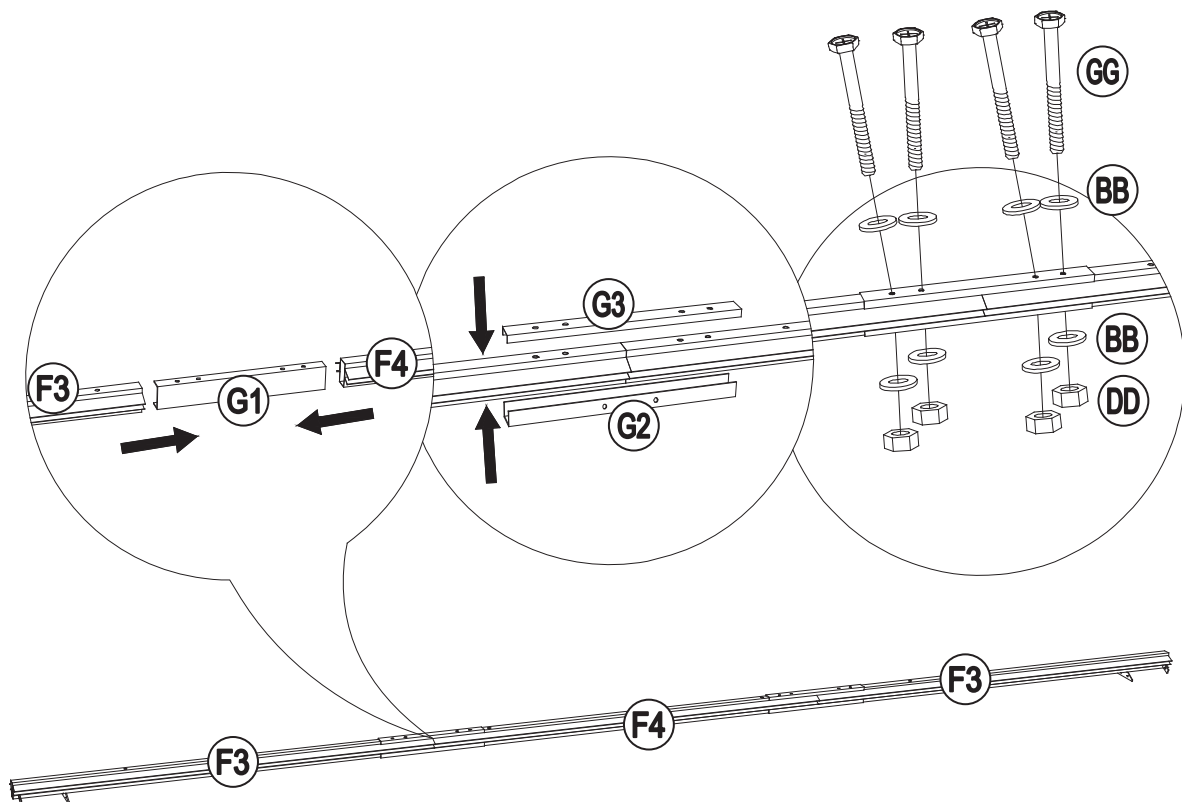
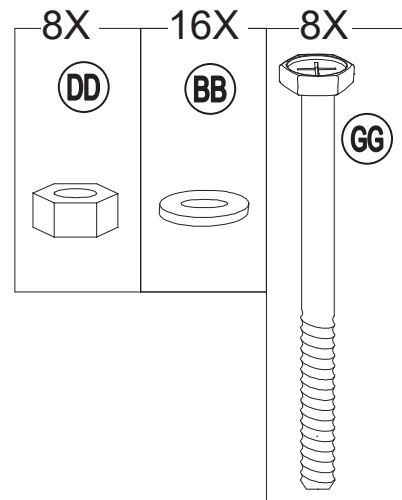
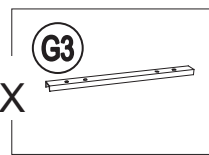
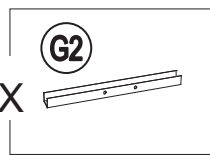
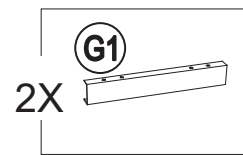
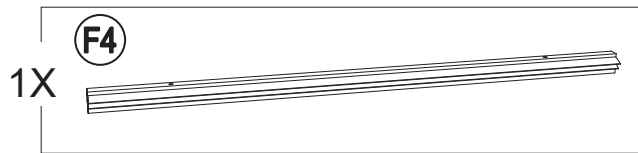
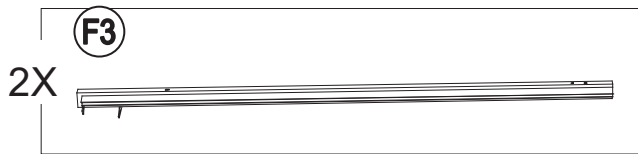
11



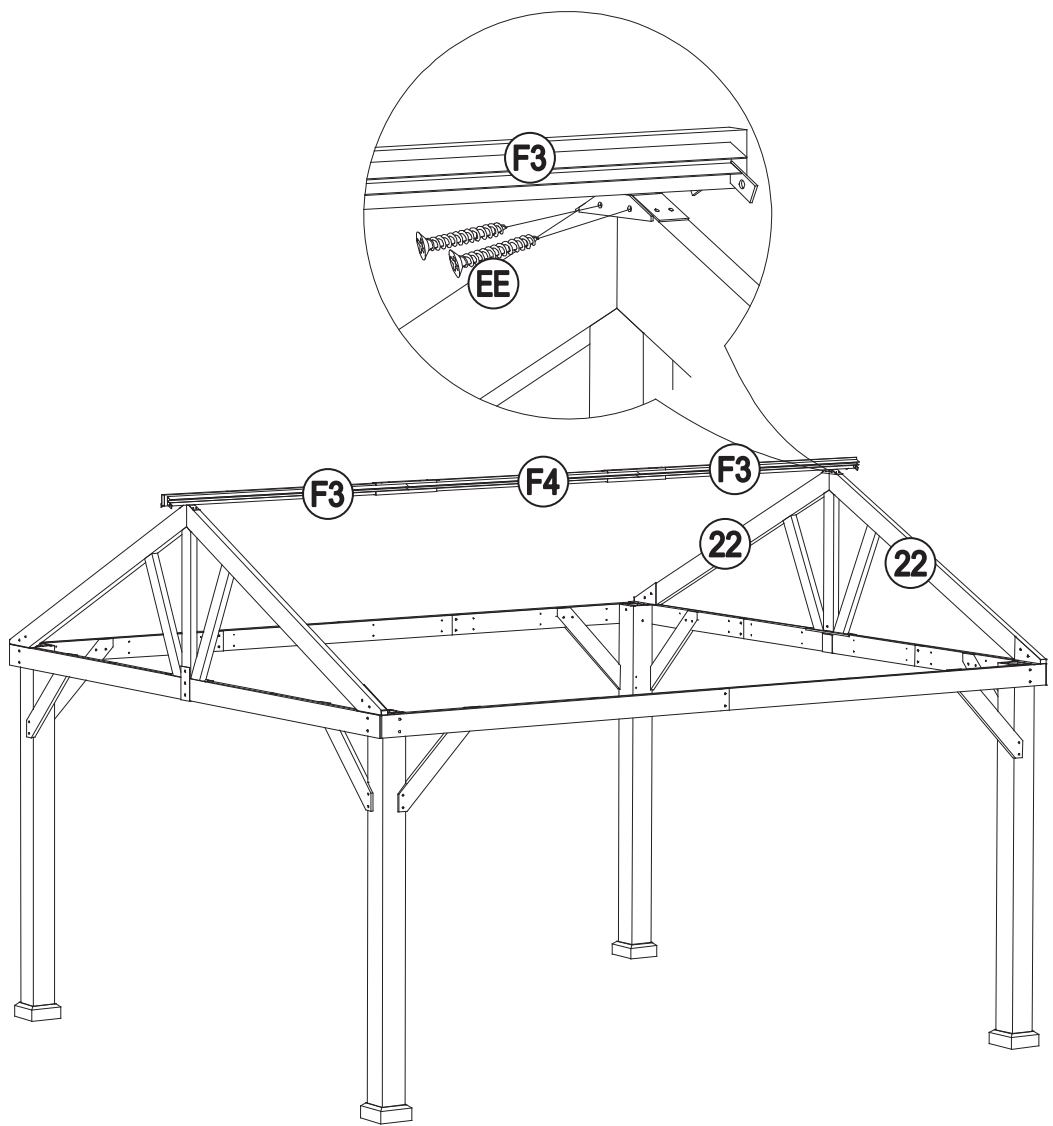
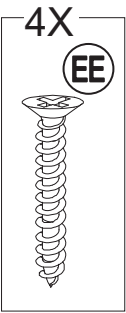
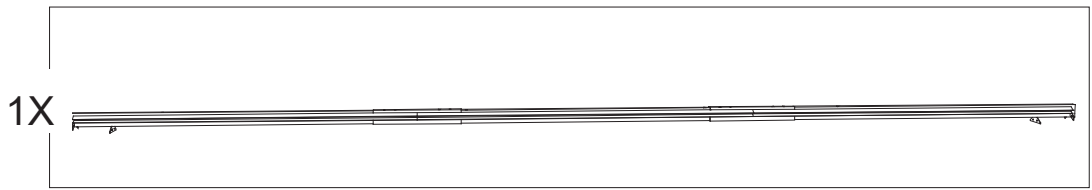
12



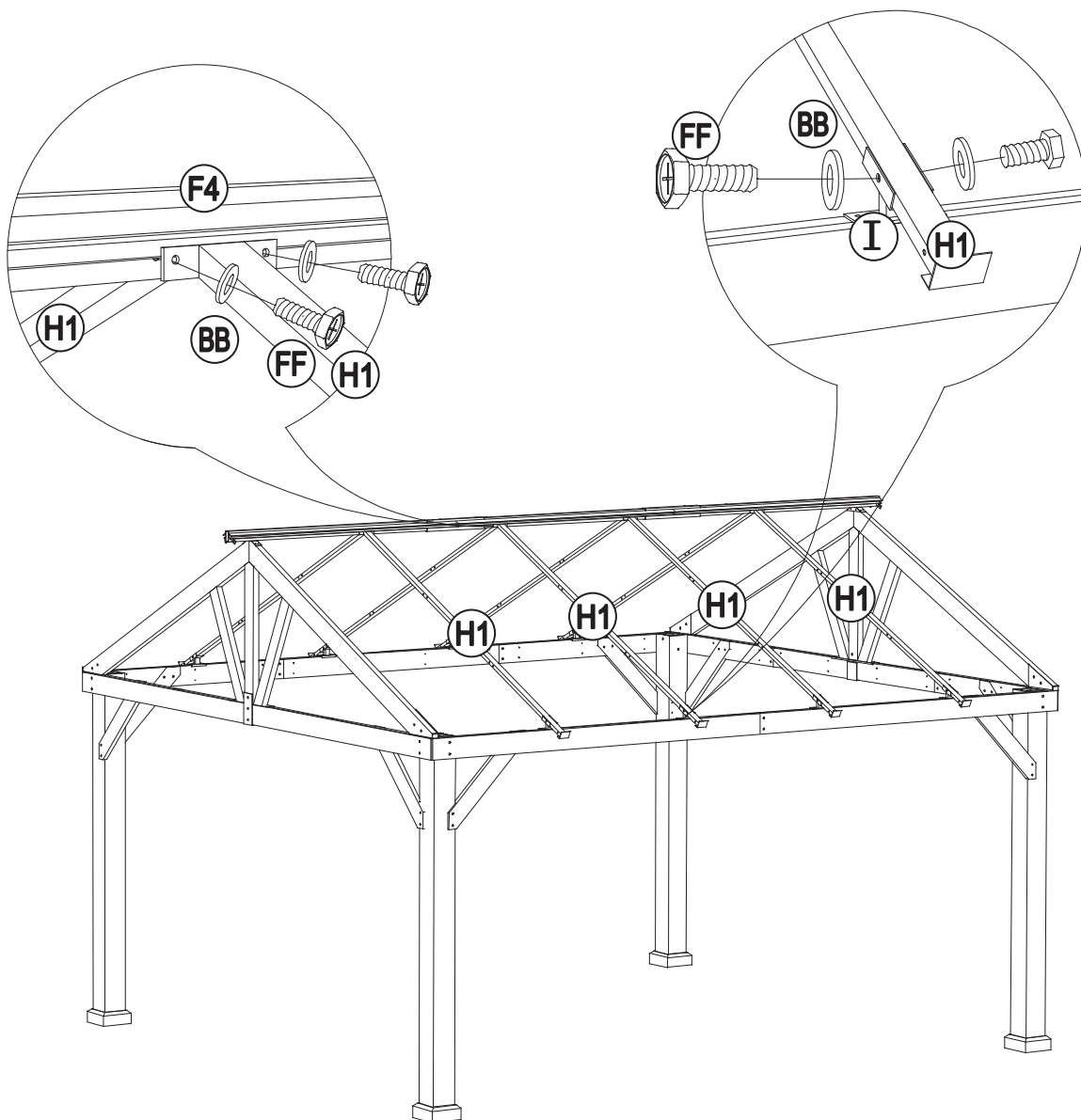
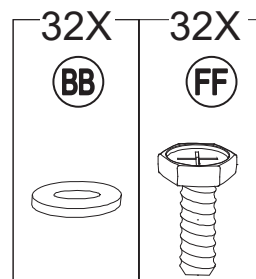
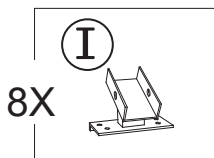
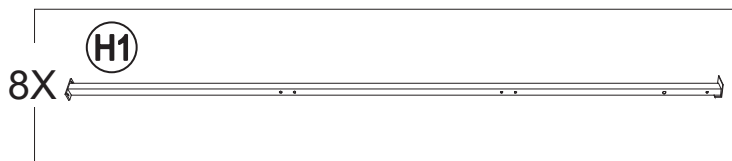
13



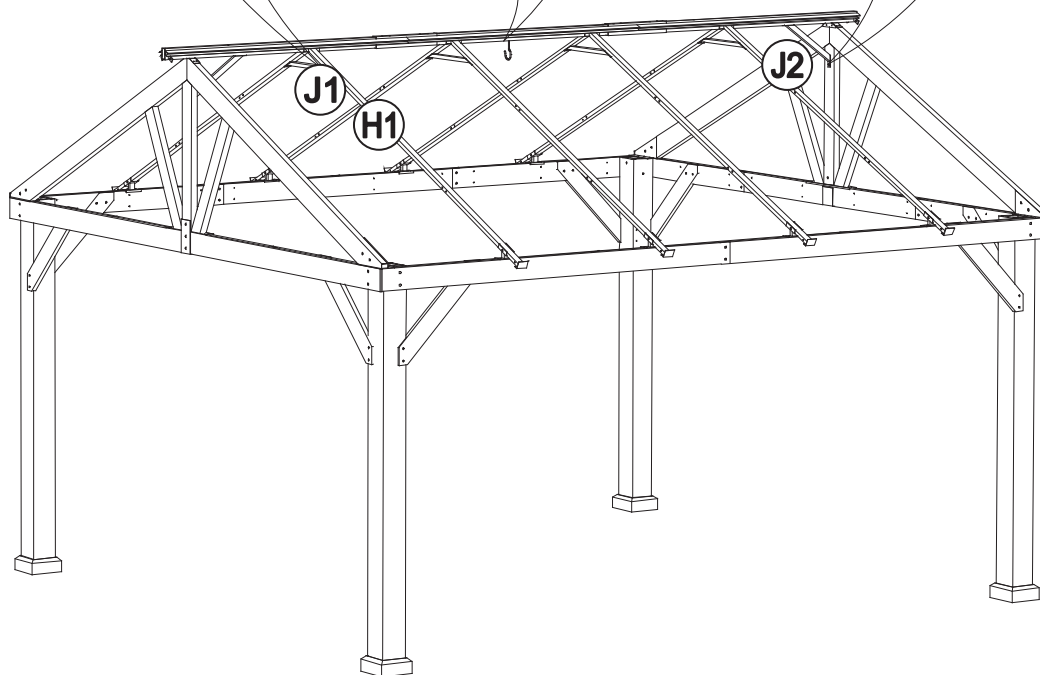
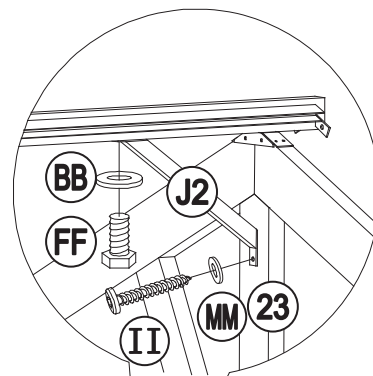
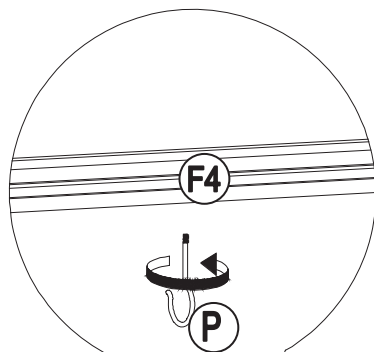
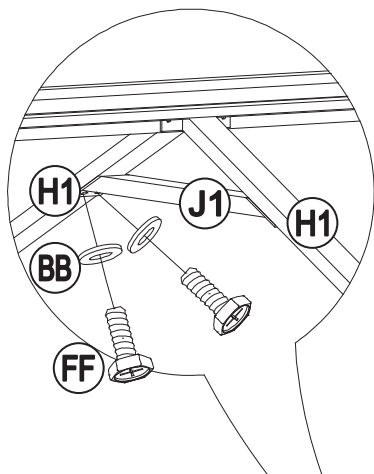
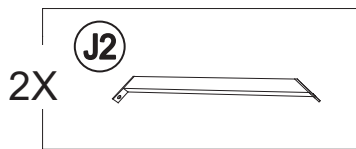
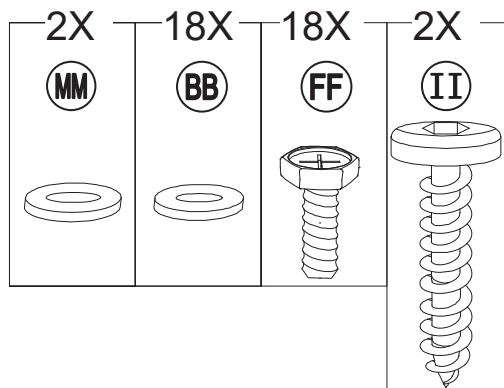
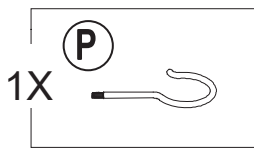
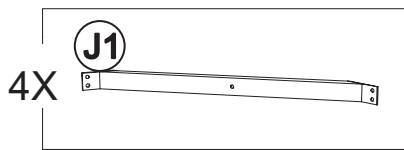
14



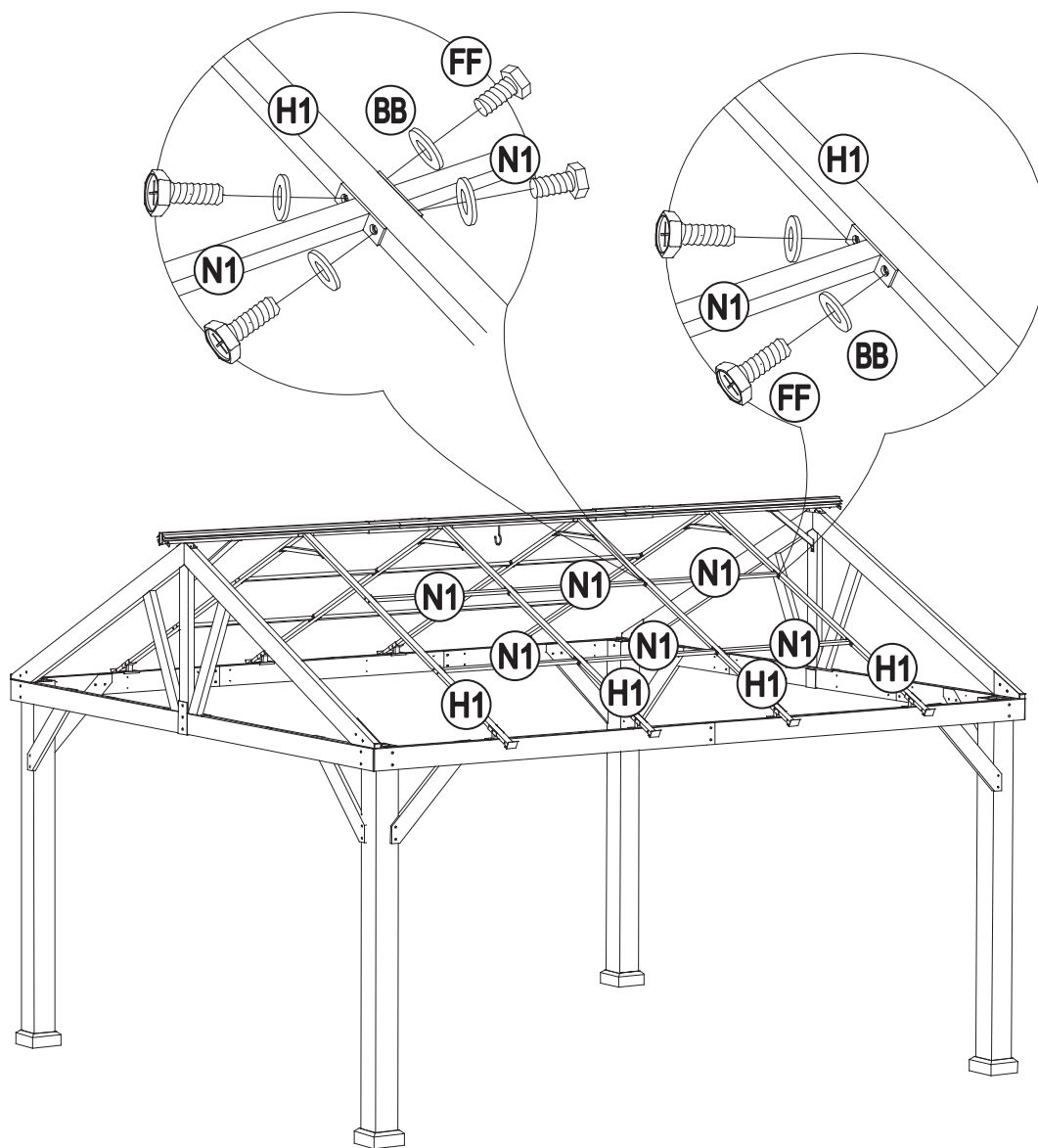
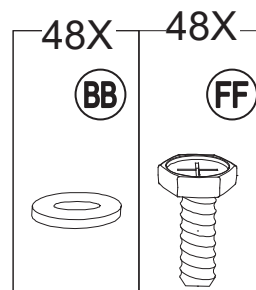
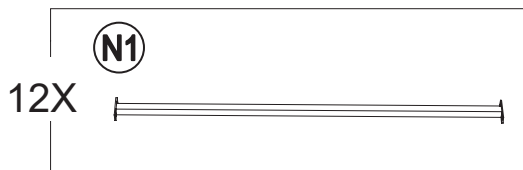
15



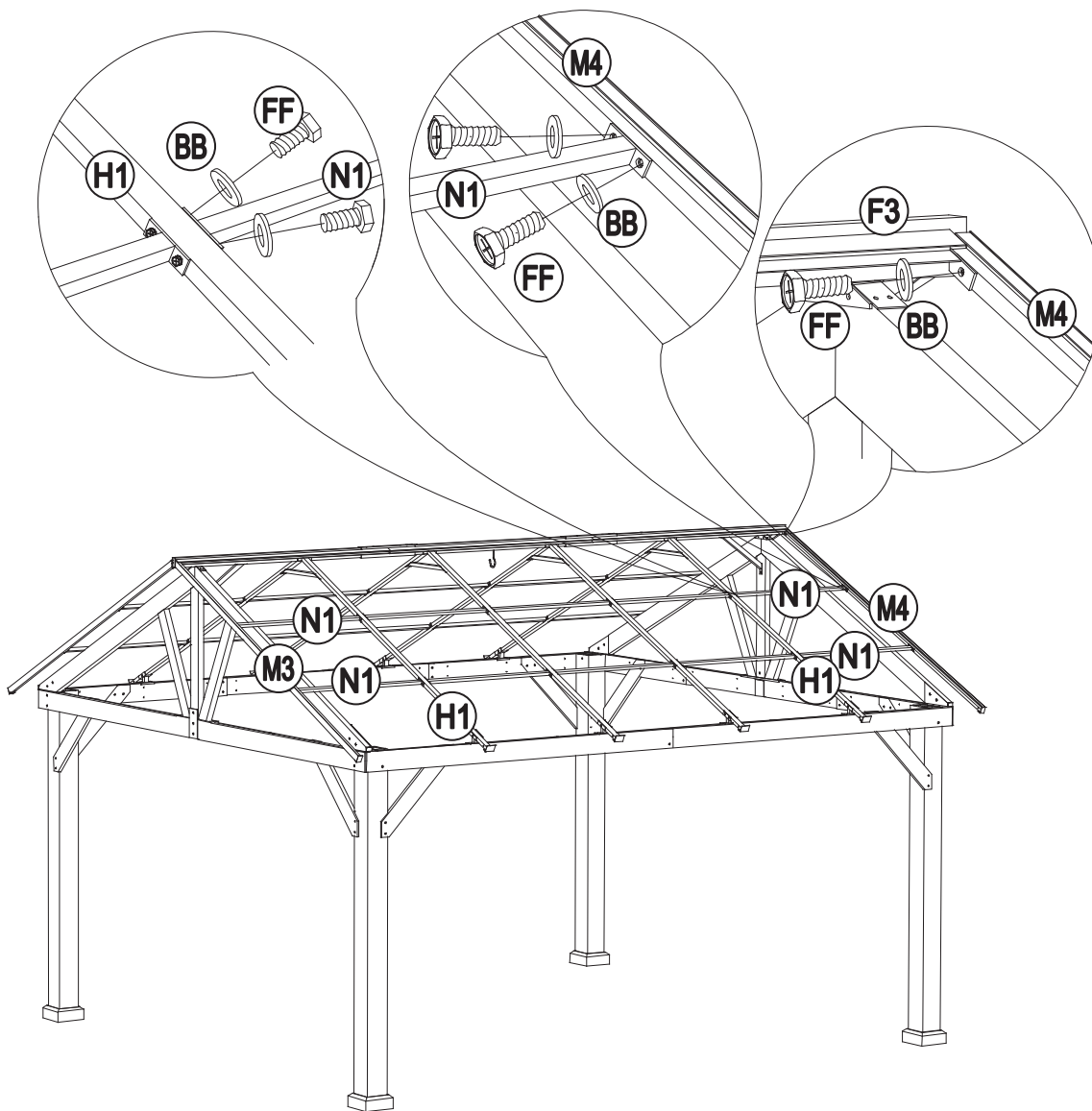
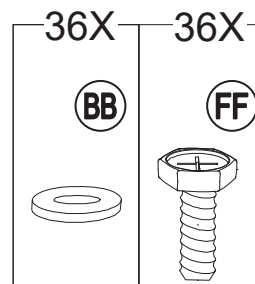
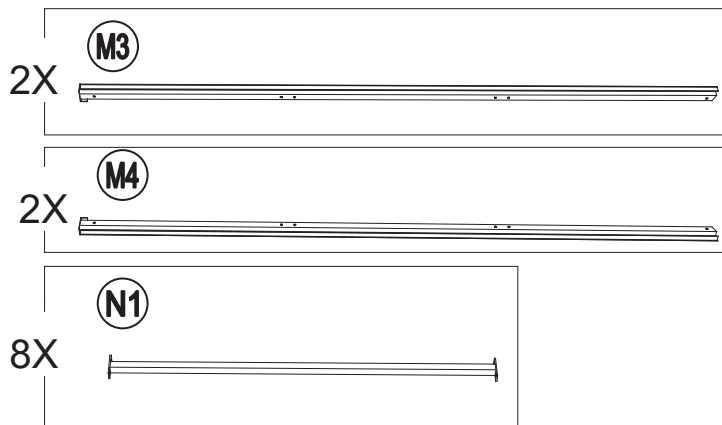
16



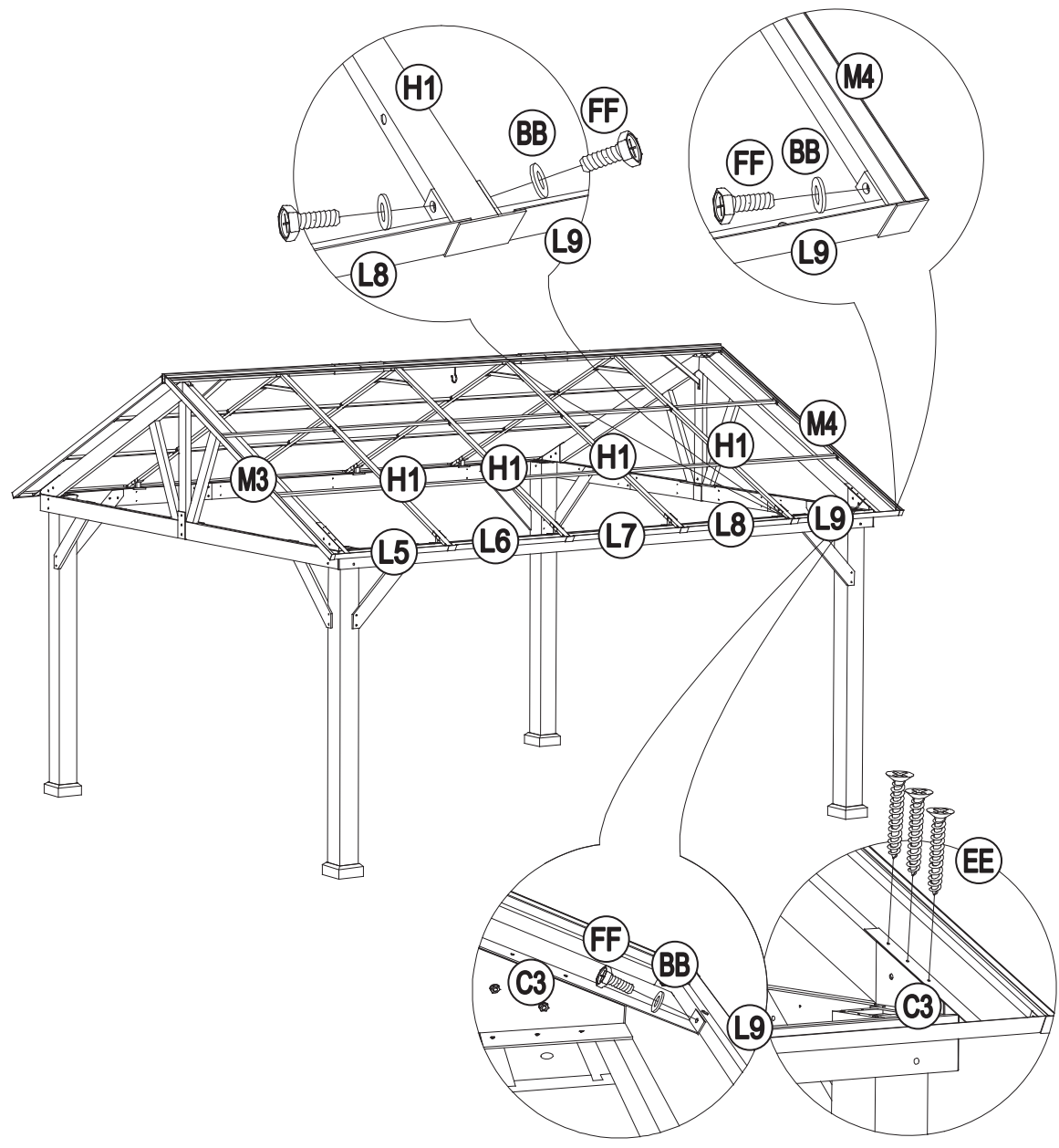
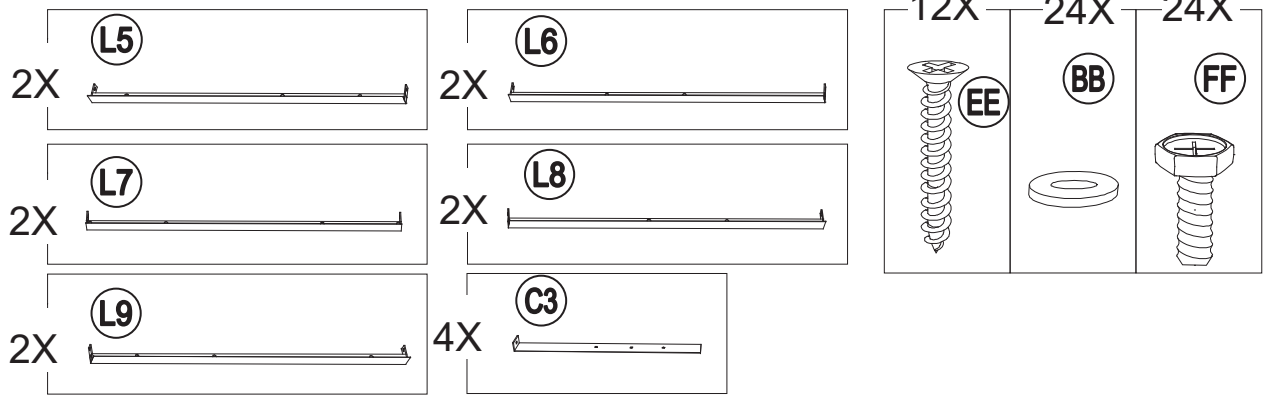
17



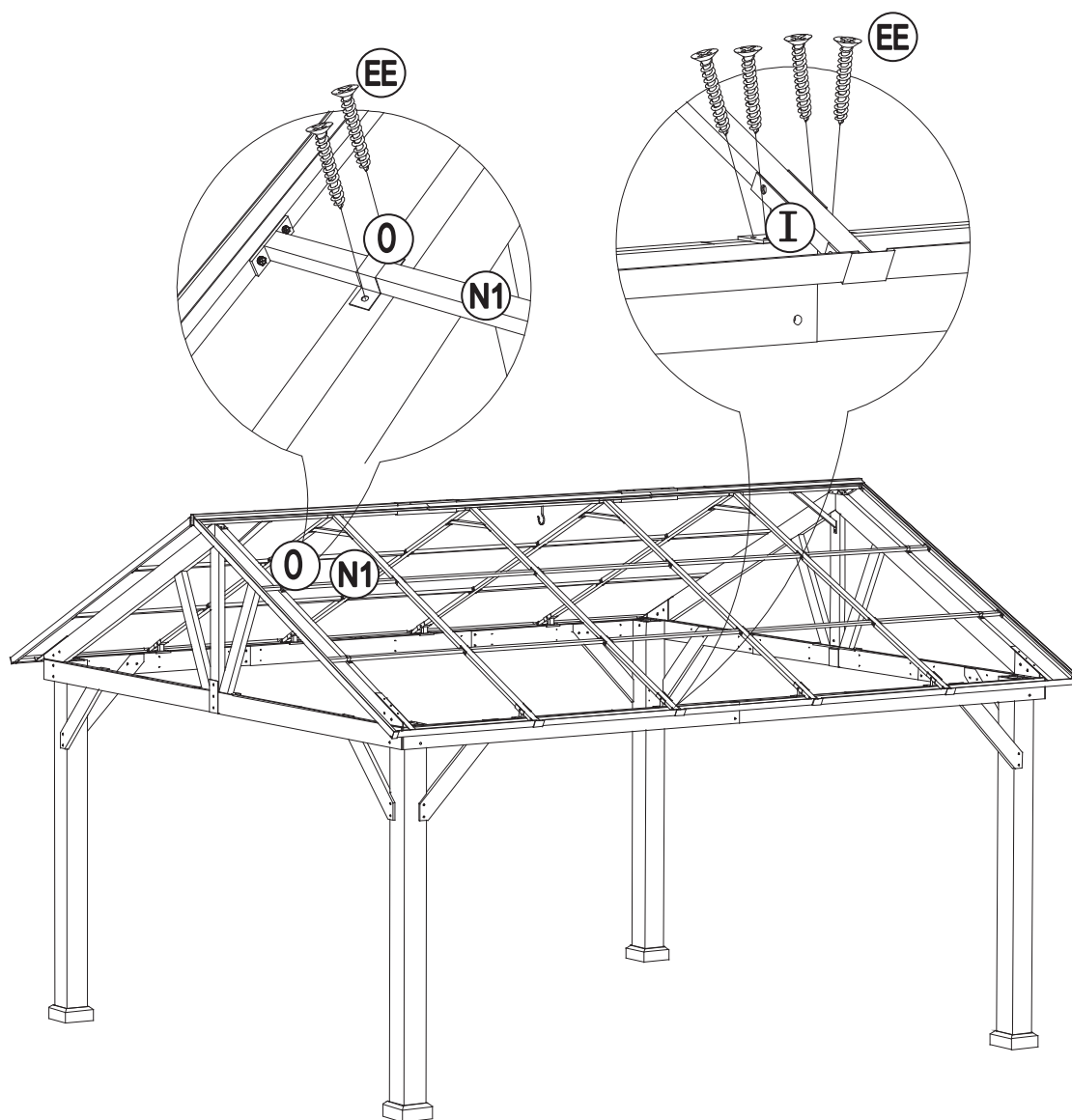
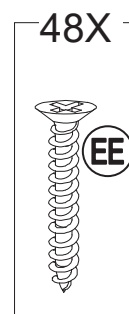
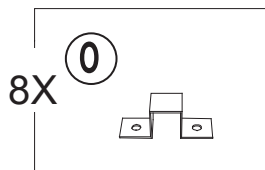
18



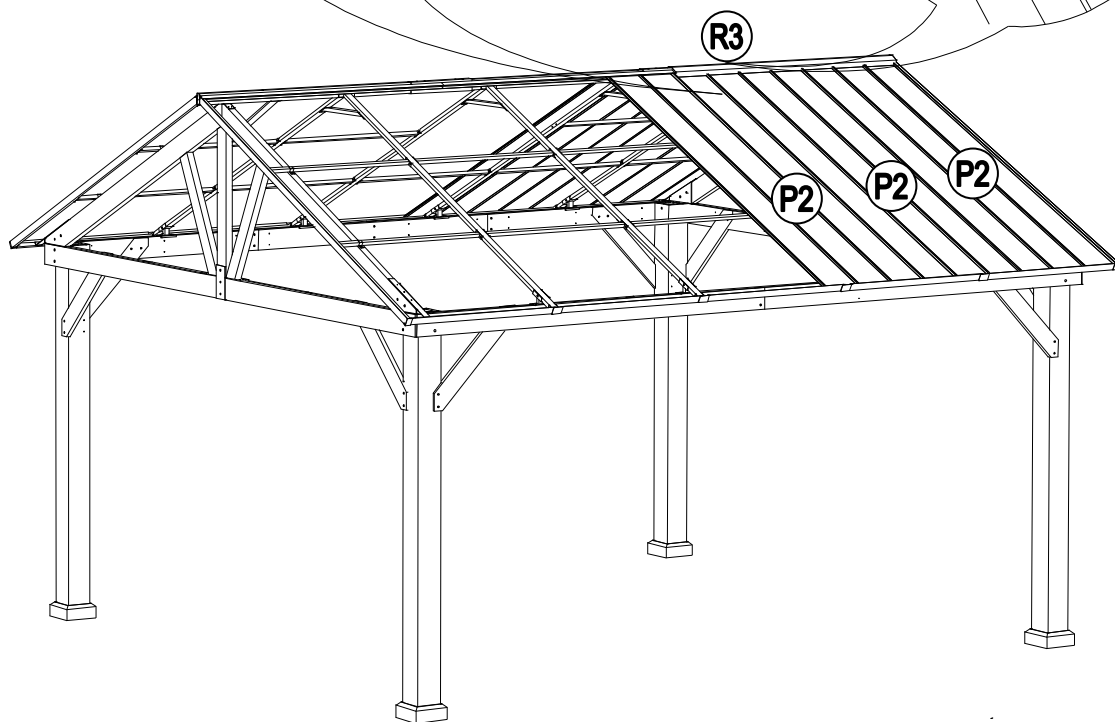
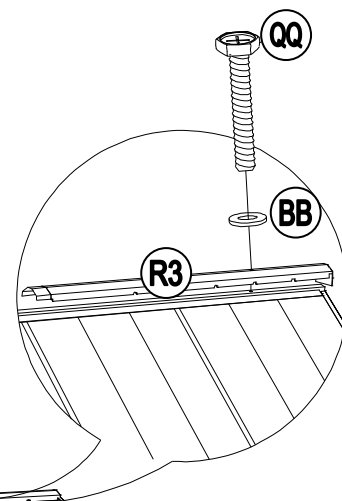
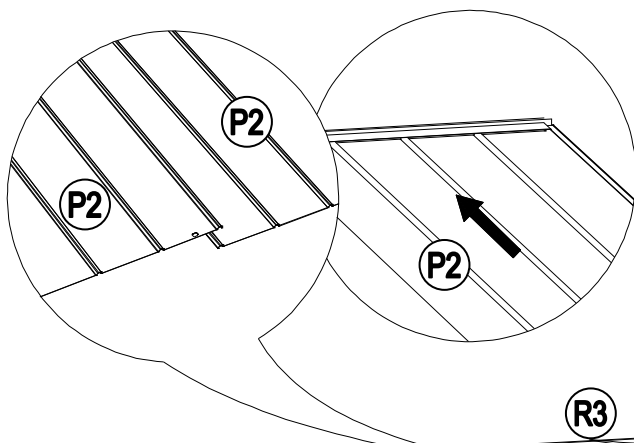
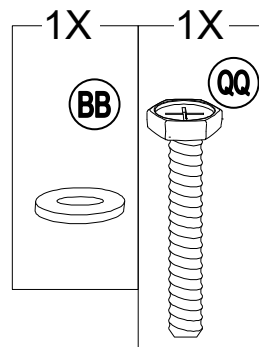
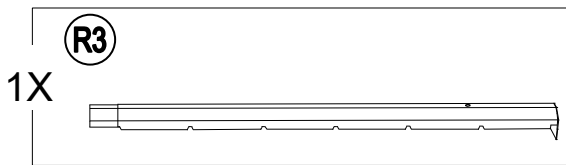
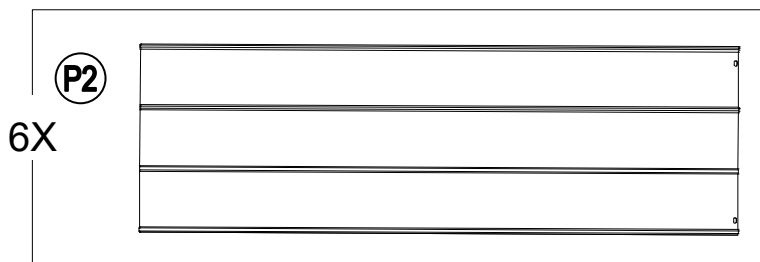
19



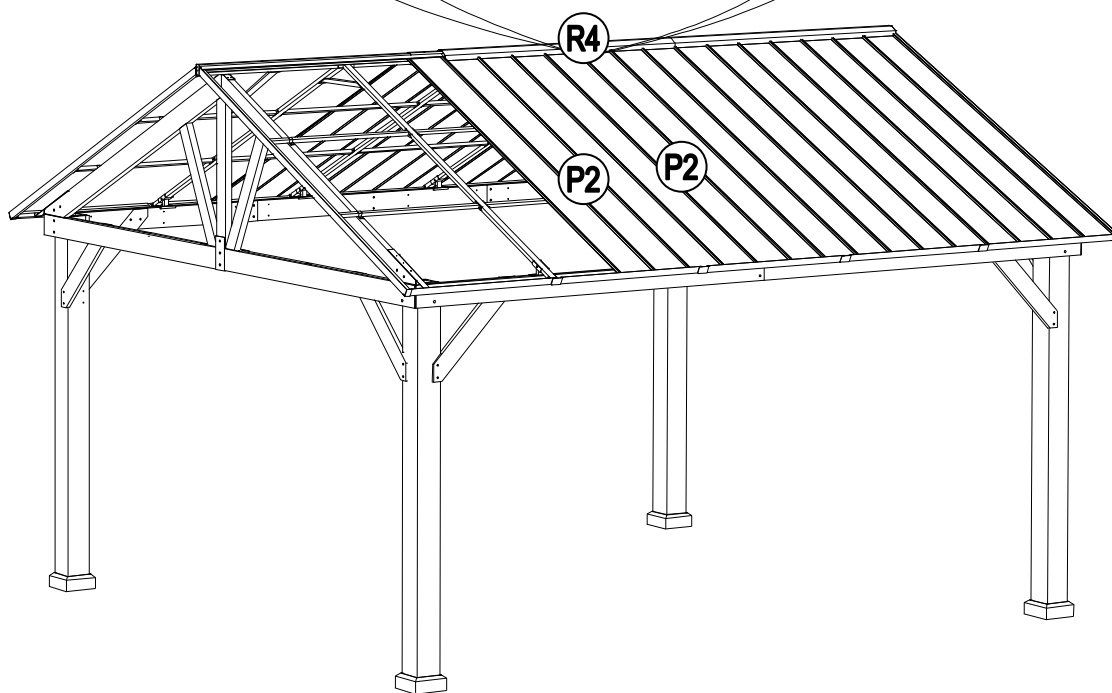
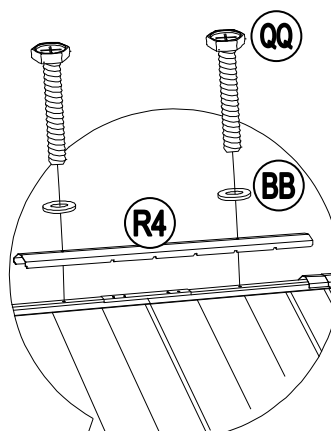
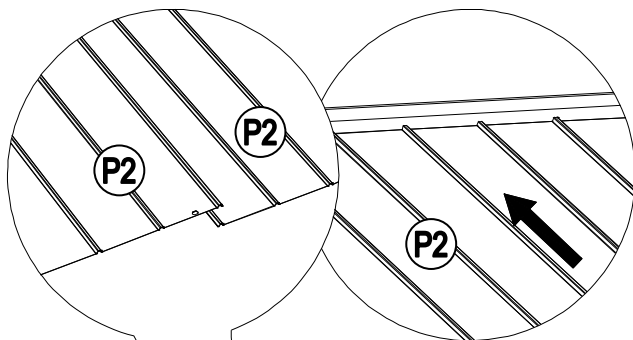
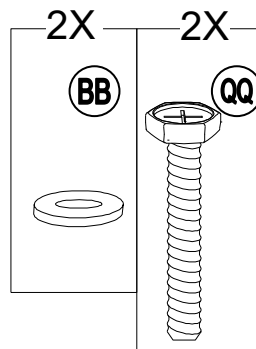
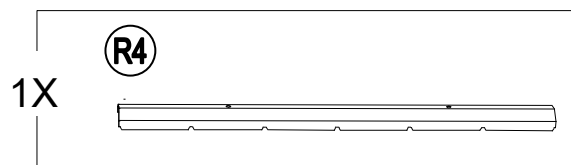
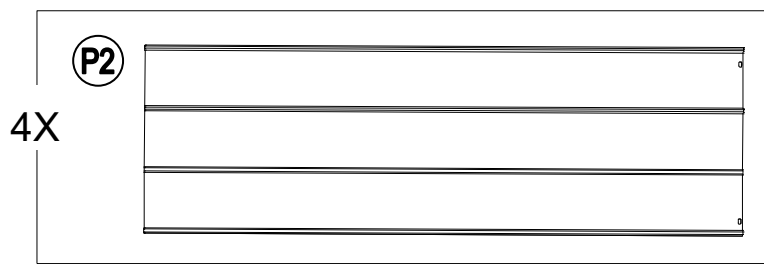
20



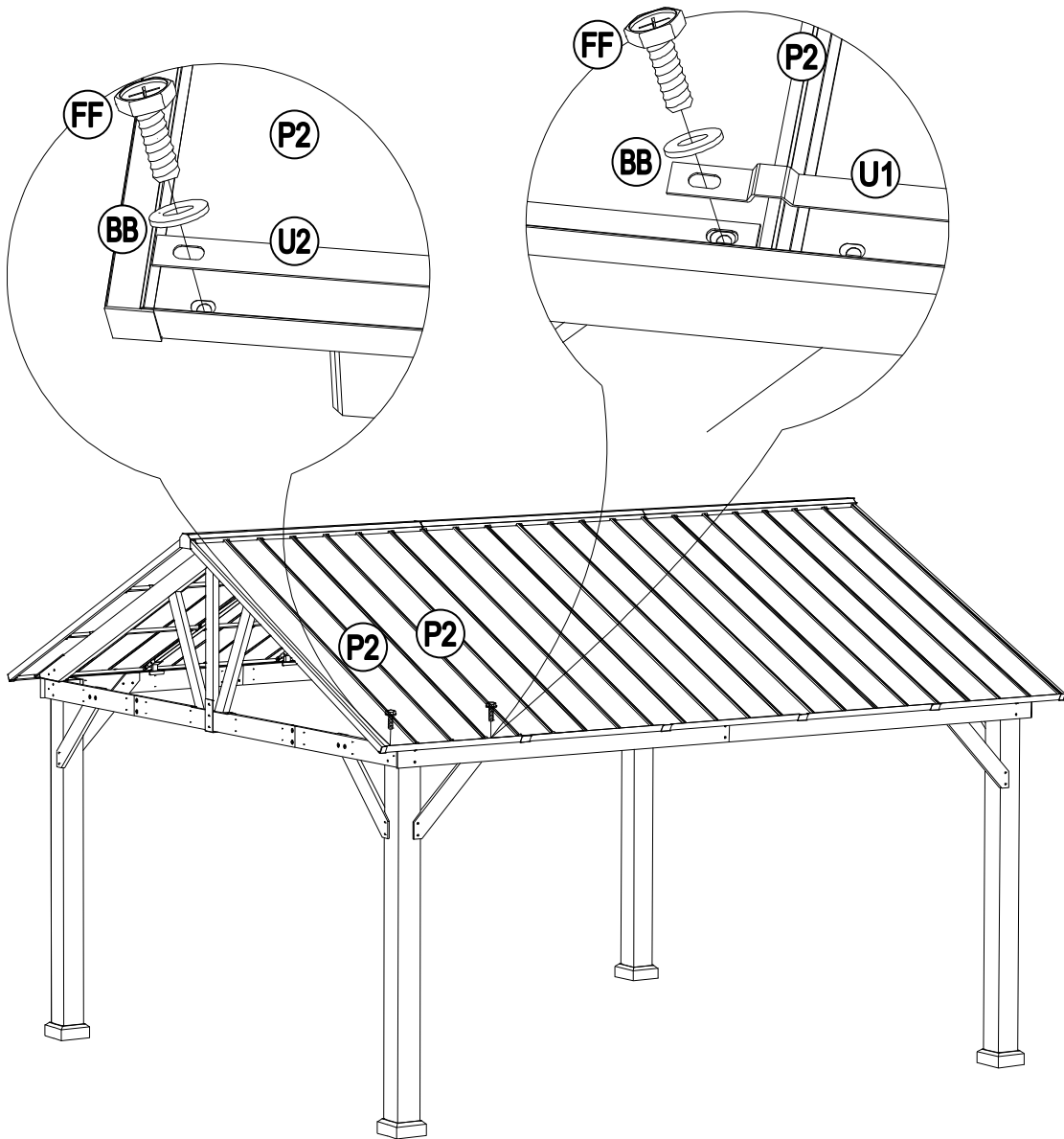
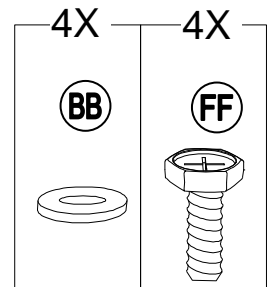
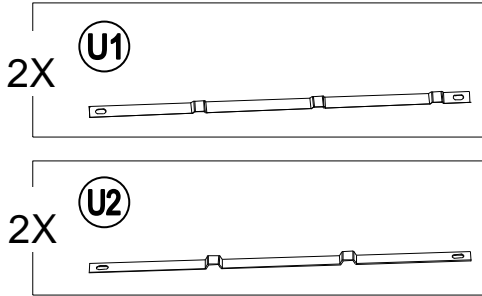
21



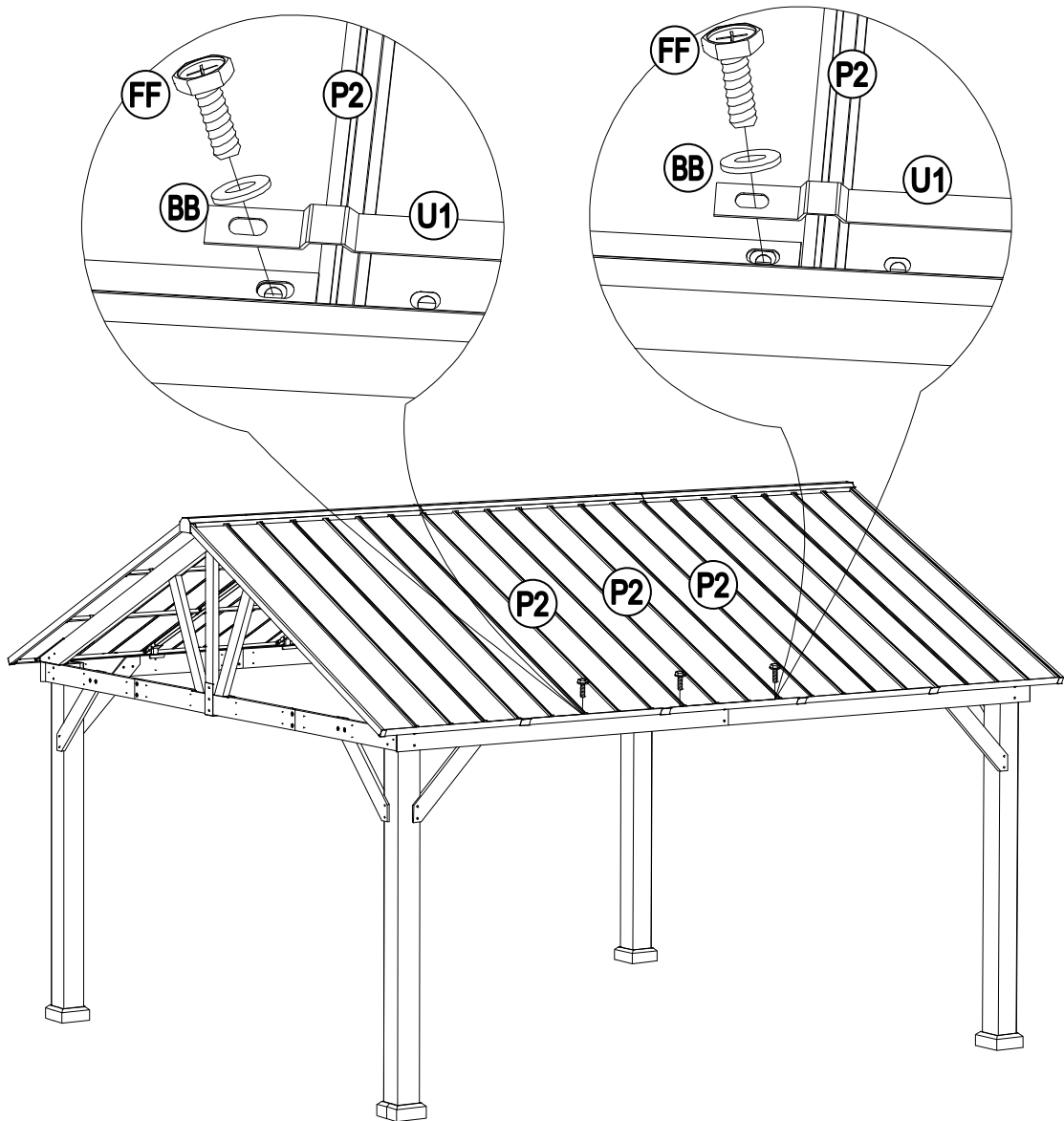
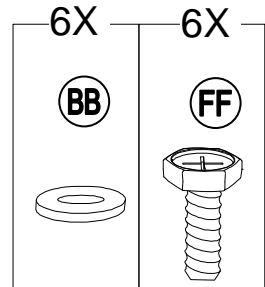
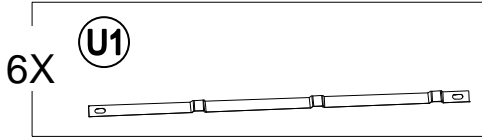
22



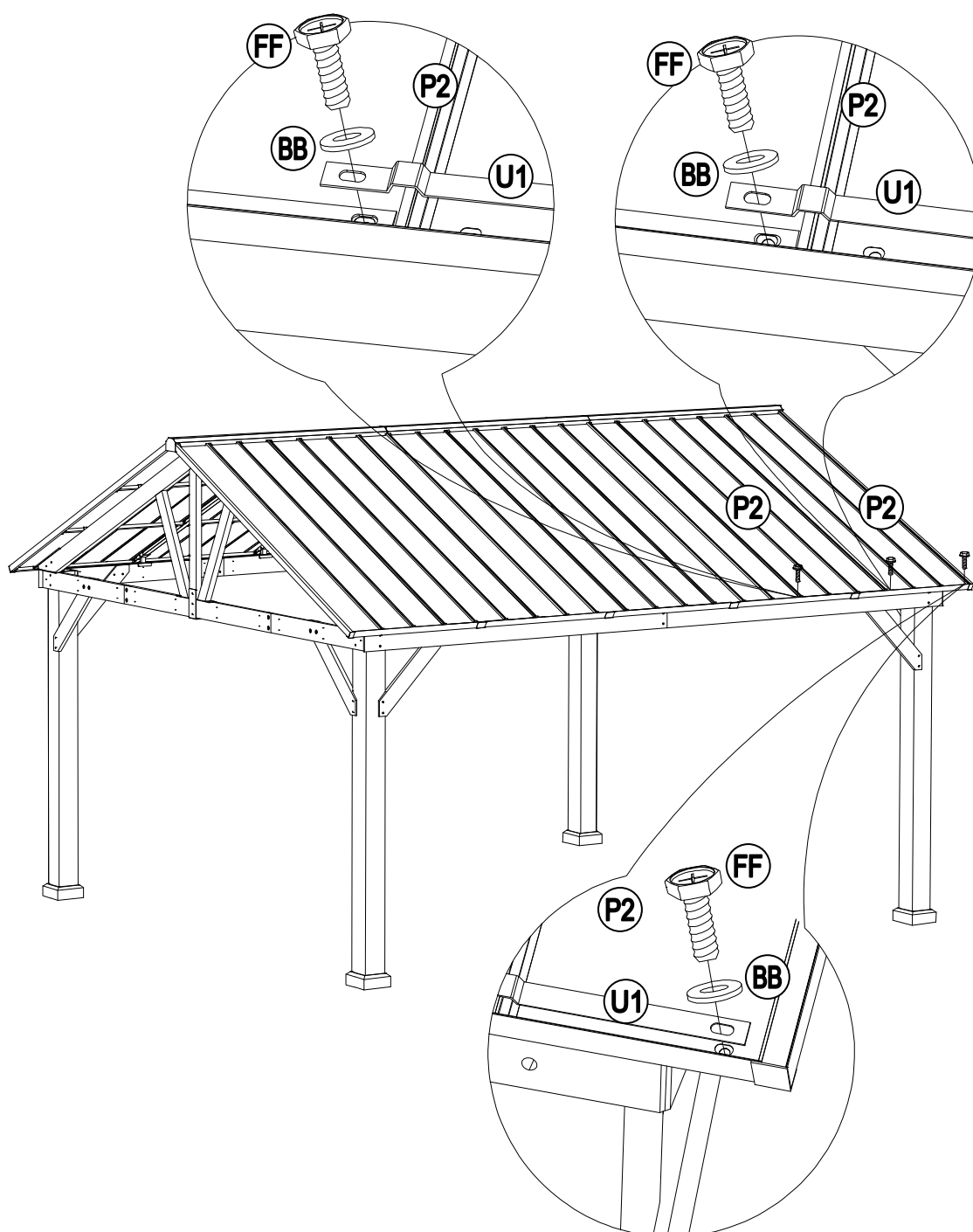
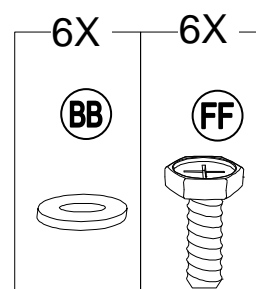
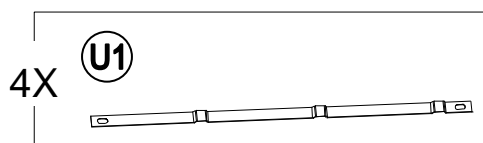
24



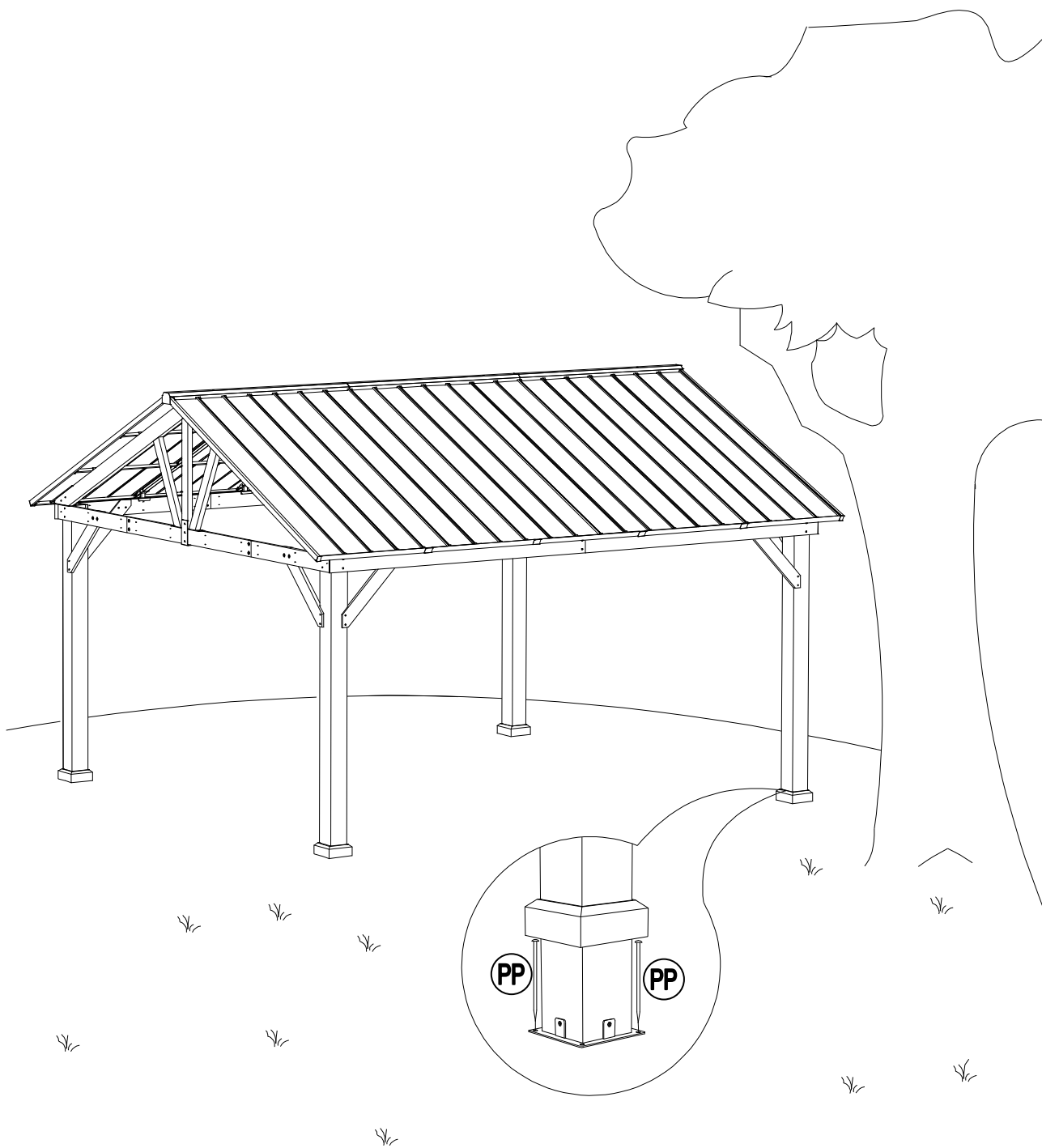
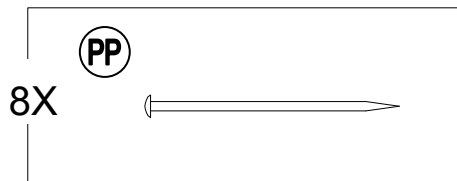
25



26



27



Care and Maintenance

- Our steel components for garden accessories and furniture are treated with rust inhibiting paint that protects it from rusting. However, due to the nature of steel, surface oxidation (rusting) will occur once these protective coatings are scratched. This is not a defect and thus not covered by the warranty.
- To minimize this condition, we recommend care when assembling & handling the product to prevent scratching the paint. Should any scratching or damage occur, we recommend immediate touch-up with rust inhibiting paint.
- Surface rust can also be easily removed with a very light application of common cooking oil. If surface oxidation (rusting) occurs and if no measure is taken to prevent this, the oxidation may start dripping on to deck or patio and caused damaging stains, which may be difficult to remove. This can be prevented if the above-mentioned measures are taken to keep the product from oxidizing.
- Use damp cloth to wipe off the stains as quickly as possible.
- If necessary, wash with a mild solution of soap and water; rinse thoroughly and dry completely.
- Periodically check and ensure that all bolts are well-tighten during use

Limited Manufacturer's Warranty

Sunjoy Group warrants to the original purchaser that this item is free from defects in workmanship and materials for a period of **1 year** from the date of purchase, provided the item was factory-sealed at the time of purchase and is maintained with care and used only for personal, residential purposes. Should any manufacturing defect arise within this warranty period, Sunjoy Group will replace (at our option) any defective merchandise or parts upon proof of purchase; however, transportation and delivery costs, as well as payments to a third party for assembly or disassembly of the item, remain the responsibility of the purchaser. A purchaser of an "open box," previously-returned, or "clearance" item, as well as original purchasers outside of the warranty period, may obtain replacement parts from Sunjoy Group for products in current production, at nominal cost.

Exclusions:

Items used for commercial, contract, or other non-residential purposes, or items damaged due to acts of nature, vandalism, misuse, or improper assembly are not covered. Corrosion or rusting of hardware is not covered. Proof of purchase (dated register receipt) is required for warranty claims. Warranty is to the original purchaser and is non-transferable. Any replacement of warranted items will be in the original style and color, or a similar style and color if the original is unavailable or has been discontinued. As some states do not allow exclusions or limitations on an implied warranty, the above exclusions and limitations may not apply. This warranty gives you specific rights, and you may also have other rights, which vary from state to state.