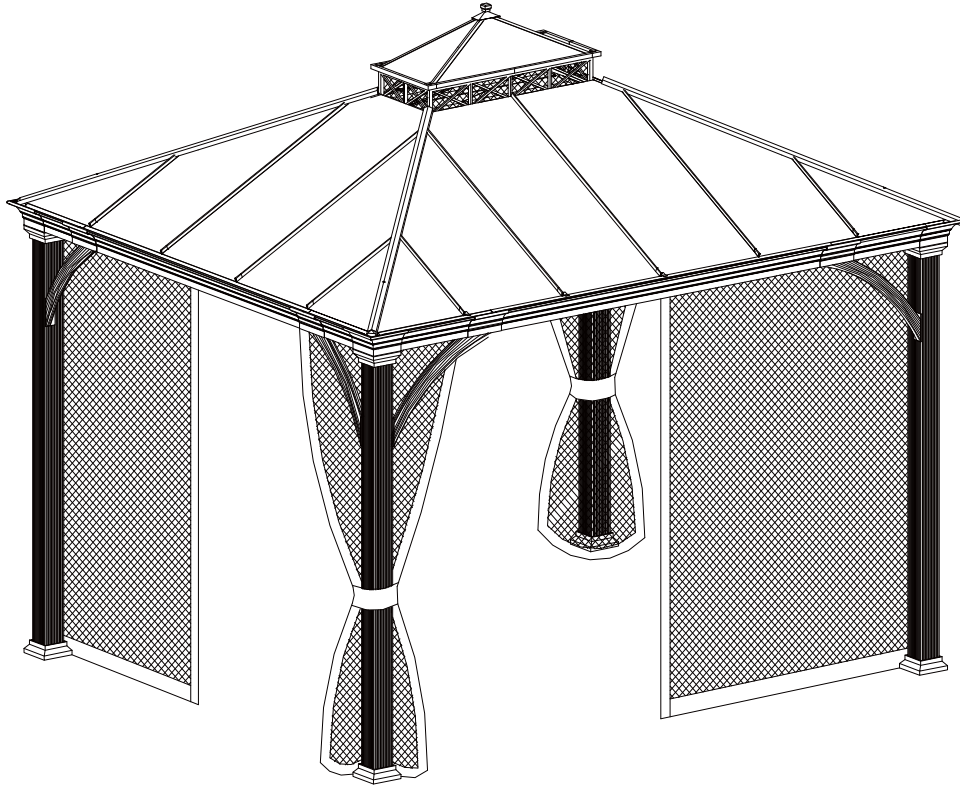


ITEM NO.:A102006900



WE HAVE YOU IN MIND, LET US SERVE YOU!

Questions? Issues?

CONTACT US

24 hours / 7 days a week



www.sunjoyonline.com



customer.care@sunjoygroup.com

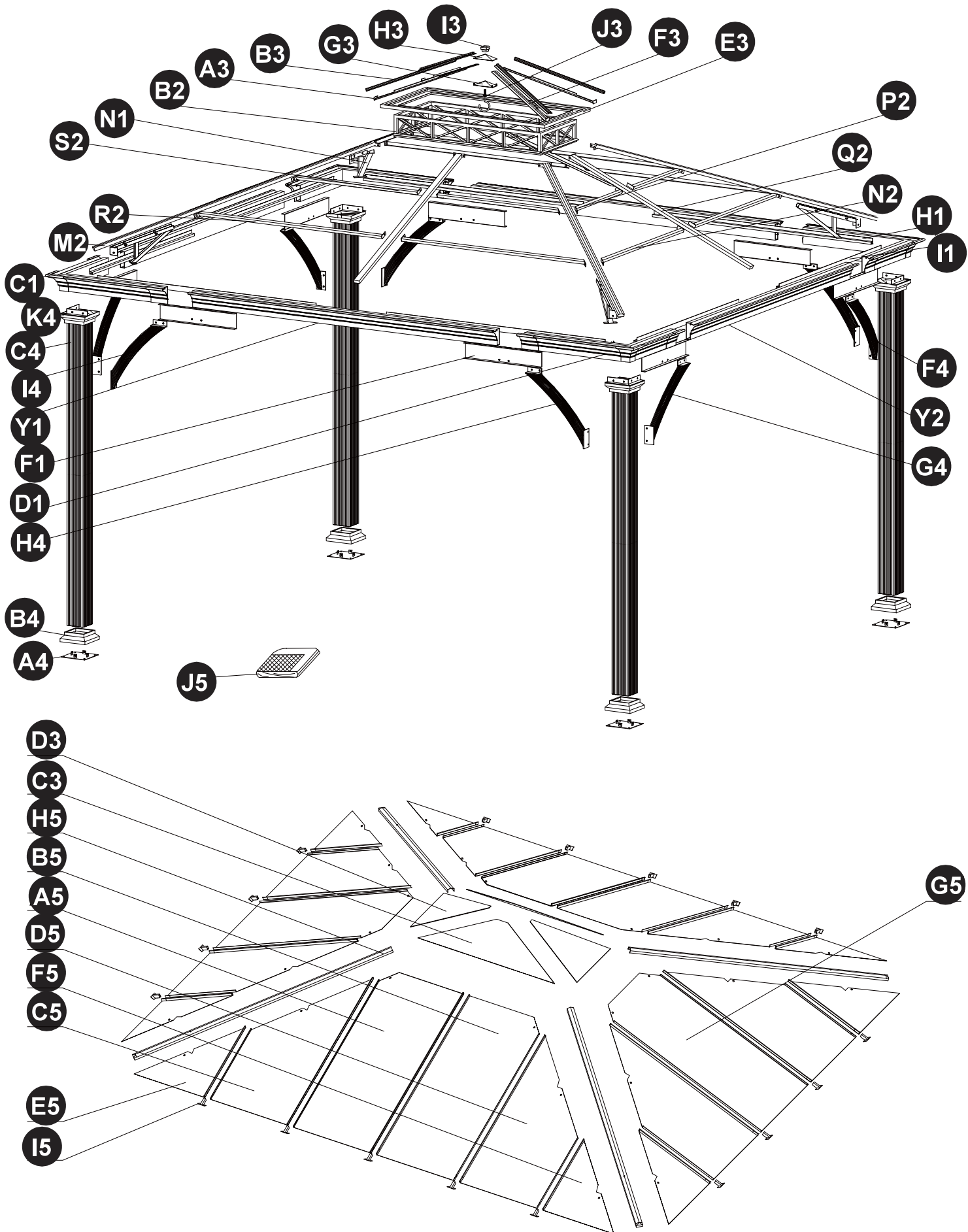


A10200690223

Country of Origin: China

Production Number: xxxxxxxxxx

PACKAGE CONTENTS



PACKAGE CONTENTS

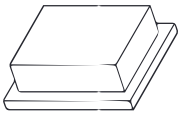
PART	DESCRIPTION	QUANTITY
Y1	Long Decorative Gutter	2
Y2	Short Decorative Gutter	2
C1	Corner Decorative Gutter 1	2
D1	Corner Decorative Gutter 2	2
F1	Decorative Gutter Connector	8
N1	Corner Connector	4
H1	Long Mosquito Netting Tube	4
I1	Short Mosquito Netting Tube	4
M2	Top Slanting Bar	4
B2	Big Top Frame	1
Q2	Middle Beam	4
R2	Left Long Support Beam of Big Top Long Side	4
N2	Left Long Support Beam of Big Top Short Side	4
S2	Left Short Support Beam of Big Top Long Side	4
P2	Left Short Support Beam of Big Top Short Side	4
A3	Small Top Bottom Beam 1	2
B3	Small Top Sheeting	4
C3	Roof Cover of Small Top Long Side	2
D3	Roof Cover of Small Top Short Side	2
E3	Small Top Bottom Connecting Frame	1
F3	Small Top Bottom Beam 2	2
G3	Small Top Connector	1
H3	Small Top Cover	1
I3	Top Decor	1
J3	Chandelier Hook	1
A4	Post Base	4
B4	Base Cover	4
C4	Post	4

PACKAGE CONTENTS

PART	DESCRIPTION	QUANTITY
K4	Top Block	4
F4	Short Right Arc Support	2
G4	Short Left Arc Support	2
H4	Long Right Arc Support	2
I4	Long Left Arc Support	2
A5	Left Long Big Top Cover	2
B5	Right Long Big Top Cover	2
C5	Left Middle Big Top Cover	4
D5	Right Middle Big Top Cover	4
E5	Left Small Big Top Cover	4
F5	Right Small Big Top Cover	4
G5	Short Big Top Cover	2
H5	Top Cover	4
I5	Roof Press Sheet	18
J5	Mosquito Netting	1

HARDWARE CONTENTS (not shown to size)

AA



Plastic Cap

Qty. 16

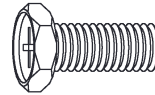
BB



M6
Flat Washer

Qty. 292 + 15 spare

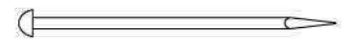
CC



M6 x 15 mm
Short Bolt

Qty. 212 + 11 spare

HH



∅ 8 X 180 mm
Stake

Qty. 8

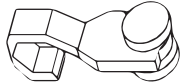
HARDWARE CONTENTS

II



M6 x 80 mm
Anchor
Qty. 8

JJ



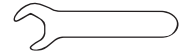
Hook
Qty. 52 + 3 spare

KK



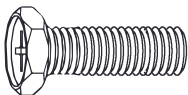
M6
Hooded Nut
Qty. 4 + 1 spare

LL



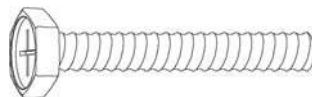
M6
Wrench
Qty. 2

MM



M6 x 20 mm
Short Bolt
Qty. 68 + 4 spare

NN



M6 x 40 mm
Long Bolt
Qty. 8 + 1 spare

OO



M6
Spring Washer
Qty. 48 + 3 spare

SAFETY INFORMATION

Please read and understand this entire manual before attempting to assemble or install the product.

WARNING

- Keep all children and pets away from assembly area. Children and pets should be supervised while gazebo is being assembled.
- The assembled gazebo should be located at least 6 feet from any obstruction such as fence, garage, house, overhanging branches, laundry lines or electrical wires.
- Some parts may contain sharp edges. Wear protective gloves if necessary during assembly.
- This unit is heavy. For safety, do not assemble this item alone. Six to eight people are recommended for safe assembly.

SAFETY INFORMATION

WARNING

- Check all nuts and bolts periodically for tightness and when required, tighten them again.
- While this gazebo is manufactured to withstand winds through only the supplied ground stakes, in areas subject to frequent severe weather, securing the gazebo to a deck, concrete patio or footings should be considered.
- Do not use a ladder leaning against the gazebo or climb onto the roof.
- Do not use or enter the gazebo if there exists any of the following or of similar conditions:
 1. Visible movement of support members, roofing panels or sagging roofline.
 2. Creaks or audible noise from the gazebo.
 3. Cracks, fractures or malformation of support members or roof panels.
 4. Damaged or missing fasteners.
- Keep all flame and heat sources away from the tent fabric. This tent is made with fabric that meets CPAI-84 specifications for flame resistance. It is not fire proof. The fabric will burn if left in continuous contact with any flame source. The application of any foreign substance to the tent fabric may render the flame-resistant properties ineffective.

CAUTION

- Install the gazebo on level ground. Stakes are provided to secure the gazebo to the ground. Do not assemble the gazebo on sandy, muddy or loose soil, as stakes do not have enough anchorage in these types of soil. If you wish to secure the gazebo to a wood deck or concrete surface, use anchors suited to these surfaces.
- Snow must be cleared off regularly during snowy day. Remove the snow at the top when it is thicker than 4 inches. In order to avoid damages, use a plastic snow rake to remove excessive snow and ice buildup from roof and keep away from falling debris.
- Any assembly or maintenance of the product must be carried out by adults only.
- Please check your state and local regulations prior to purchasing. Some jurisdictions may require permits for installation and use. Some special procedures may be valid in your area.
- For outdoor use only.
- Chandelier hook maximum weight: 33 lbs.

PREPARATION

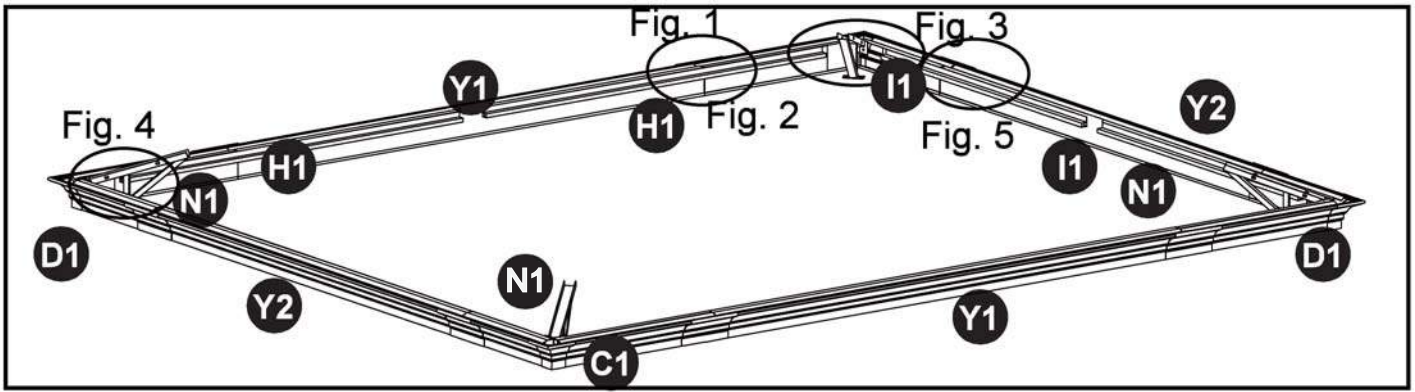
Before beginning assembly of product, make sure all parts are present. Compare parts with package contents list and hardware contents list. If any part is missing or damaged, do not attempt to assemble the product.

Estimated Assembly Time: 150 minutes

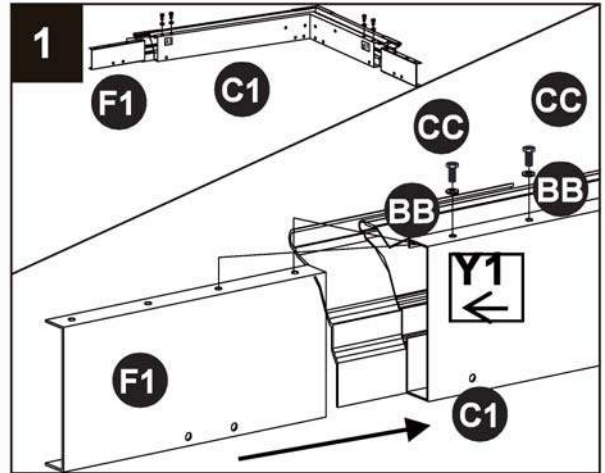
Tools Required for Assembly (included): Wrench.

Tools Required for Assembly (not included): Phillips screwdriver, hammer, and 2 ladders (no less than 8.2-feet tall).


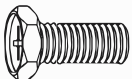
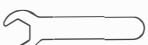
ASSEMBLY INSTRUCTIONS



1. Connect decorative gutter connectors (F1) and corner decorative gutters 1 (C1) using short bolts (CC) and flat washers (BB). Repeat this step for decorative gutter connectors (F1) and corner decorative gutters 2 (D1). Tighten with wrench (LL).

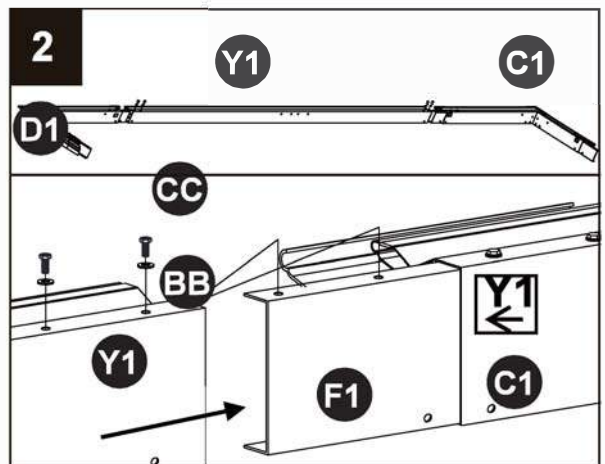


Hardware Used


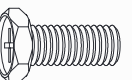
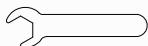
- BB** M6 Flat Washer  x 16
- CC** M6 x 15 mm Short Bolt  x 16
- LL** M6 Wrench  x 1

2. Insert long decorative gutters (Y1) into corner decorative gutters 1 (C1) and corner decorative gutters 2 (D1) using short bolts (CC) and flat washers (BB). Tighten with wrench (LL).

Note: Ensure to insert Y1 into the end labeled for such on parts C1 and D1.



Hardware Used


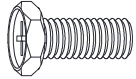
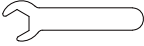
- BB** M6 Flat Washer  x 8
- CC** M6 x 15 mm Short Bolt  x 8
- LL** M6 Wrench  x 1

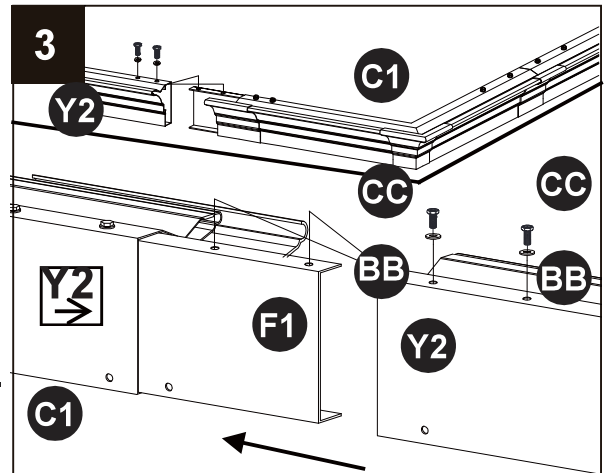
ASSEMBLY INSTRUCTIONS

3. Insert short decorative gutters (Y2) into corner decorative gutters 1 (C1) and corner decorative gutters 2 (D1) using short bolts (CC) and flat washers (BB). Tighten with wrench (LL).

Note: Ensure to insert B1 into the end labeled for such on parts C1 and D1.


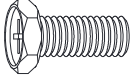
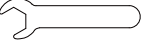
Hardware Used

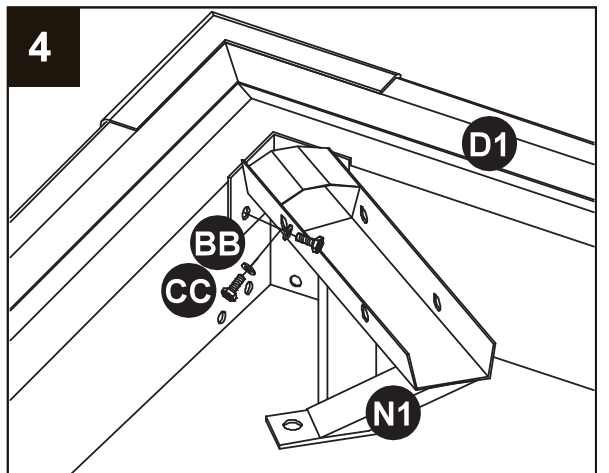
BB	M6 Flat Washer		x 8
CC	M6 x 15 mm Short Bolt		x 8
LL	M6 Wrench		x 1



4. Attach corner connectors (N1) to corner decorative gutters 1 (C1) and corner decorative gutters 2 (D1) using short bolts (CC) and flat washers (BB). Tighten with wrench (LL).

Hardware Used

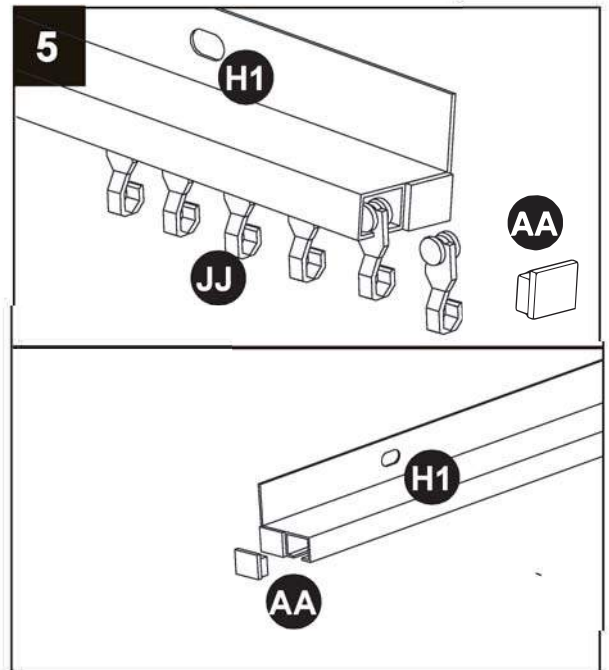
BB	M6 Flat Washer		x 8
CC	M6 x 15 mm Short Bolt		x 8
LL	M6 Wrench		x 1



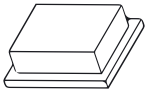

ASSEMBLY INSTRUCTIONS

5. Attach plastic caps (AA) to one end of each netting tube, then insert 7 hooks (JJ) into the inside rail of long mosquito netting tube (H1) as shown and 6 hooks (JJ) into the inside rail of short mosquito netting tubes (I1).

Then, attach plastic caps (AA) to the other ends of each of the netting tubes.




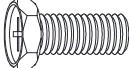
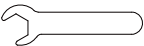
Hardware Used

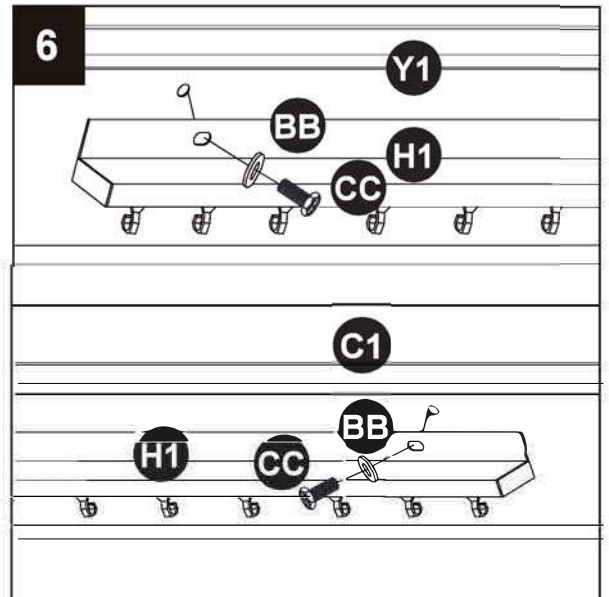
AA	Plastic Cap		x 16
JJ	Hook		x 52

6. Attach long mosquito netting tubes (H1) to long decorative gutters (Y1) and corner decorative gutters 1 (C1) using short bolts (CC) and flat washers (BB). Repeat this step for attaching short mosquito netting tubes (I1) to short decorative gutters (Y2) and corner decorative gutters 2 (D1).

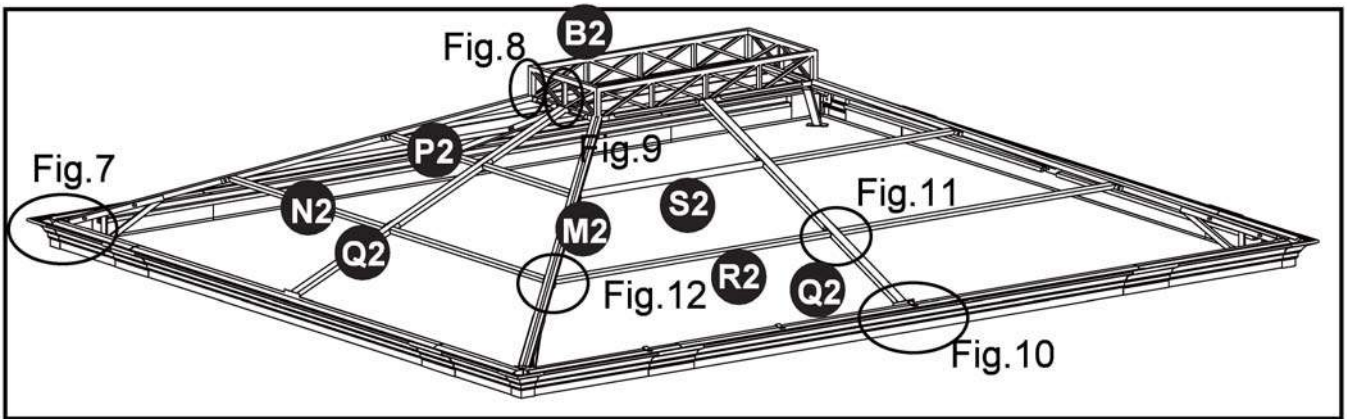
Tighten with wrench (LL).

Hardware Used

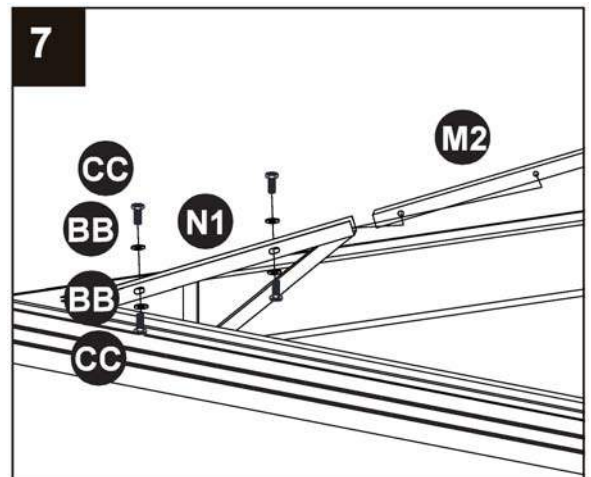
BB	M6 Flat Washer		x 16
CC	M6 x 15 mm Short Bolt		x 16
LL	M6 Wrench		x 1




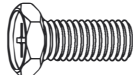
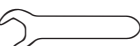
ASSEMBLY INSTRUCTIONS



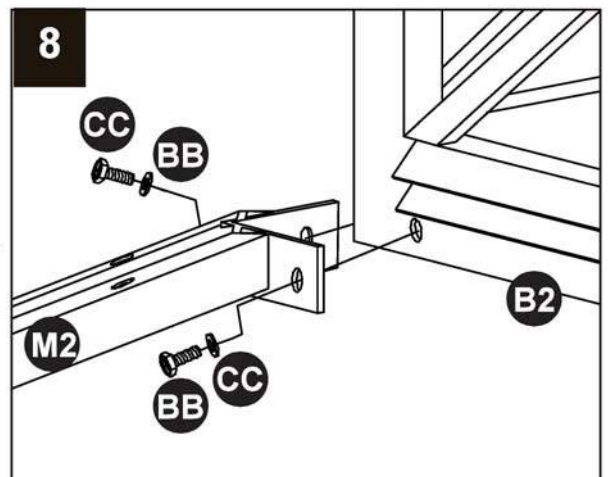
7. Attach the lower ends of top slanting bars (M2) to the corner connectors (N1) using short bolts (CC) and flat washers (BB). Tighten with wrench (LL).




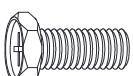
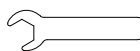
Hardware Used

BB	M6 Flat Washer		x 16
CC	M6 x 15 mm Short Bolt		x 16
LL	M6 Wrench		x 1

8. Attach the top ends of top slanting bars (M2) to the big top frame (B2) using short bolts (CC) and flat washers (BB). Tighten with wrench (LL).




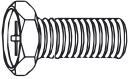
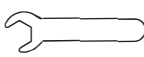
Hardware Used

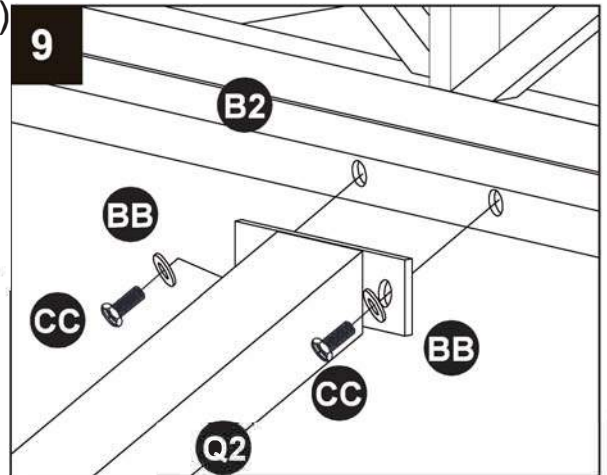
BB	M6 Flat Washer		x 8
CC	M6 x 15 mm Short Bolt		x 8
LL	M6 Wrench		x 1

ASSEMBLY INSTRUCTIONS

9. Attach the top ends of middle beams (Q2) to the big top frame (B2) using short bolts (CC) and flat washers (BB). Tighten with wrench (LL).


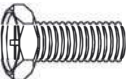
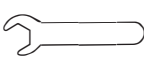
Hardware Used

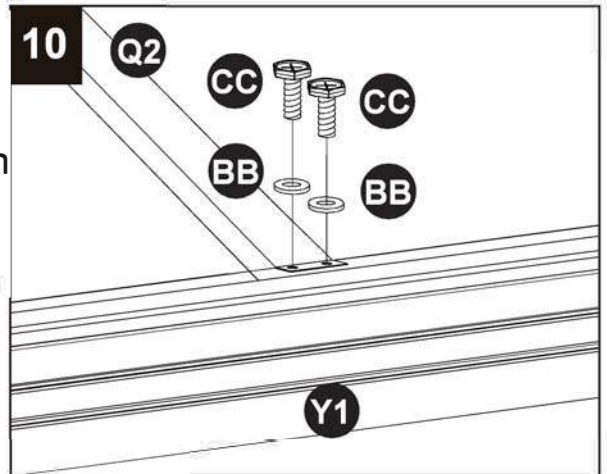
BB	M6 Flat Washer		x 8
CC	M6 x 15 mm Short Bolt		x 8
LL	M6 Wrench		x 1



10. Attach the lower ends of middle beams (Q2) to long decorative gutters (Y1) and short decorative gutters (Y2) using short bolts (CC) and flat washers (BB). Tighten with wrench (LL).


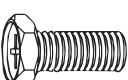

Hardware Used

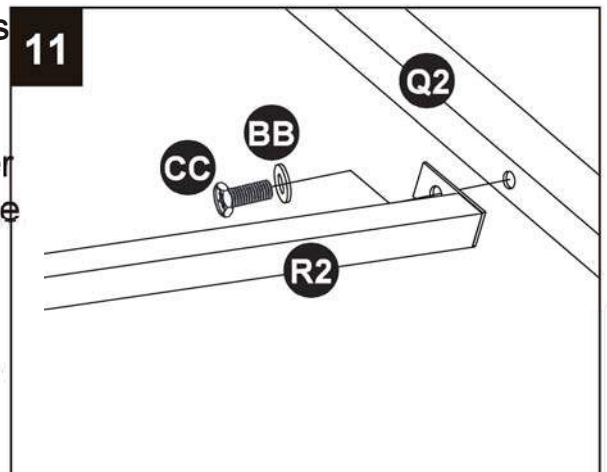
BB	M6 Flat Washer		x 8
CC	M6 x 15 mm Short Bolt		x 8
LL	M6 Wrench		x 1



11. Attach one end of left long support beams of big top long side (R2) to middle beams (Q2) using short bolts (CC) and flat washers (BB). Repeat this step for another left long support beams of big top long side (R2). Tighten with wrench (LL).

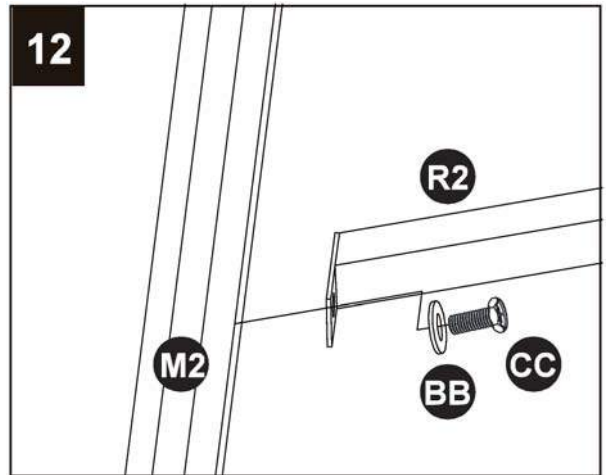
Hardware Used

BB	M6 Flat Washer		x 16
CC	M6 x 15 mm Short Bolt		x 16
LL	M6 Wrench		x 1


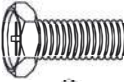



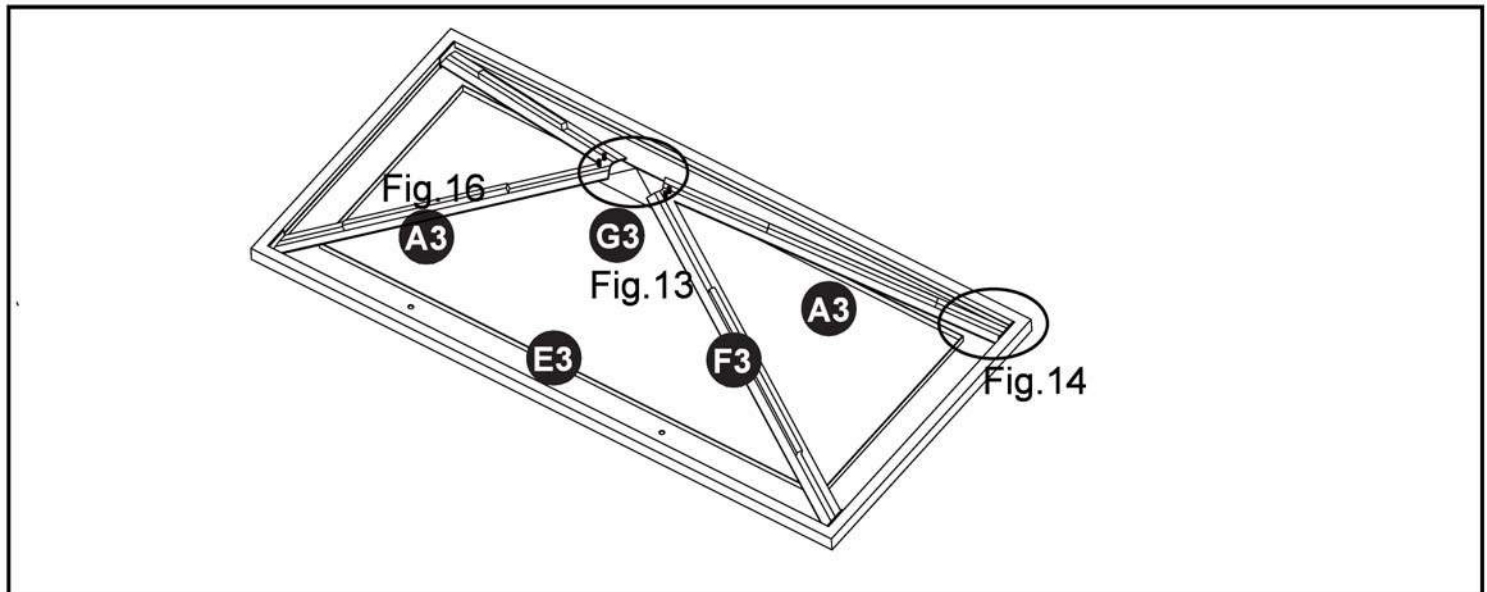
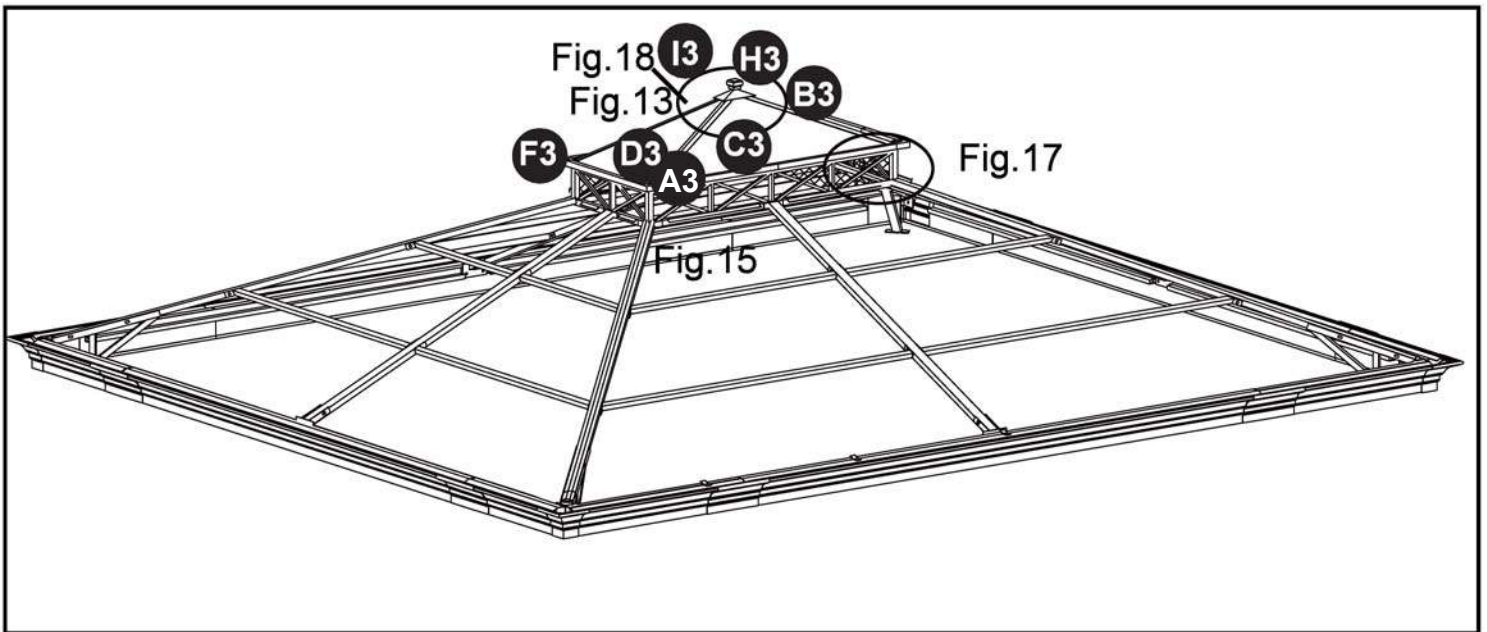
ASSEMBLY INSTRUCTIONS

12. Attach the other end of left long support beams of big top long side (R2) to top slanting bars (M2) using short bolts (CC) and flat washers (BB). Tighten with wrench (LL). Repeat steps 12-13 for remaining big top beams (N2, S2, P2).



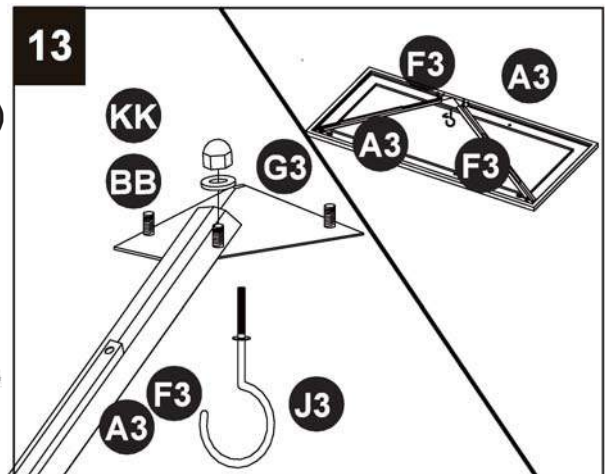
Hardware Used

- | | | | |
|-----------|-----------------------|---|------|
| BB | M6 Flat Washer |  | x 16 |
| CC | M6 x 15 mm Short Bolt |  | x 16 |
| LL | M6 Wrench |  | x 1 |


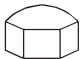


ASSEMBLY INSTRUCTIONS

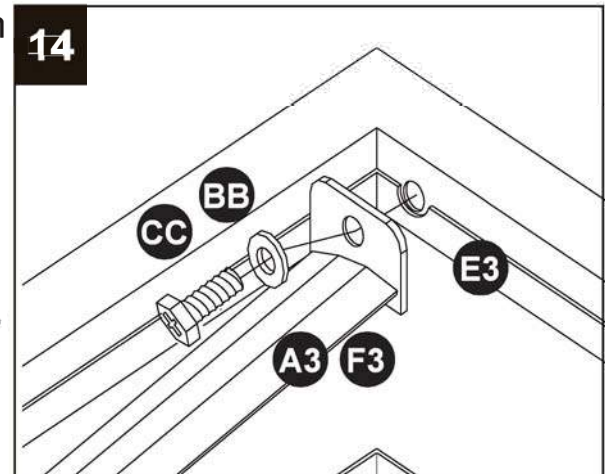
13. Attach the top ends of small top bottom beams 1 (A3) and small top bottom beams 2 (F3) to small top connector (G3) using hooded nuts (KK) and flat washers (BB). Screw the chandelier hook (J3) to small top connector (G3).




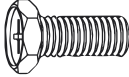
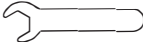
Hardware Used

- | | | | |
|-----------|----------------|---|-----|
| BB | M6 Flat Washer |  | x 4 |
| KK | M6 Hooded Nut |  | x 4 |

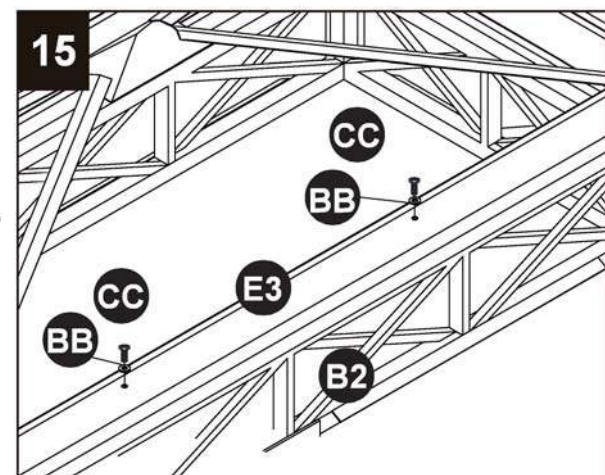
14. Attach the lower ends of small top bottom beams 1 (A3) and small top bottom beams 2 (F3) to small top bottom connecting frame (E3) using short bolts (CC) and flat washers (BB). Tighten with wrench (LL).




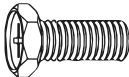
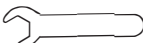
Hardware Used

- | | | | |
|-----------|-----------------------|---|-----|
| BB | M6 Flat Washer |  | x 4 |
| CC | M6 x 15 mm Short Bolt |  | x 4 |
| LL | M6 Wrench |  | x 1 |

15. Attach assembled small top to big top frame (B2) through small top bottom connecting frame (E3) using short bolts (CC) and flat washers (BB). Tighten with wrench (LL).

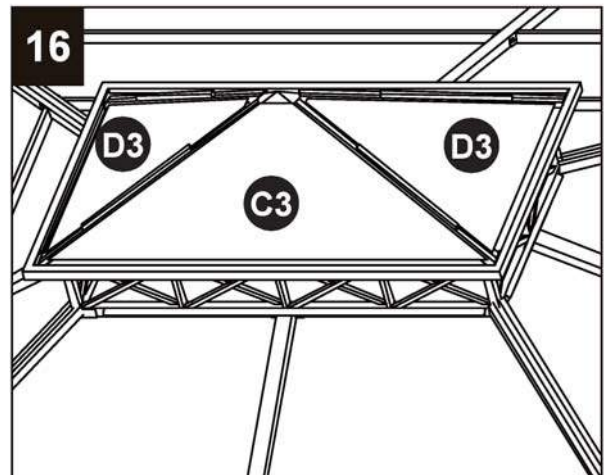


Hardware Used

- | | | | |
|-----------|-----------------------|---|-----|
| BB | M6 Flat Washer |  | x 4 |
| CC | M6 x 15 mm Short Bolt |  | x 4 |
| LL | M6 Wrench |  | x 1 |


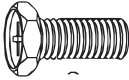
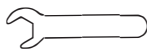
ASSEMBLY INSTRUCTIONS

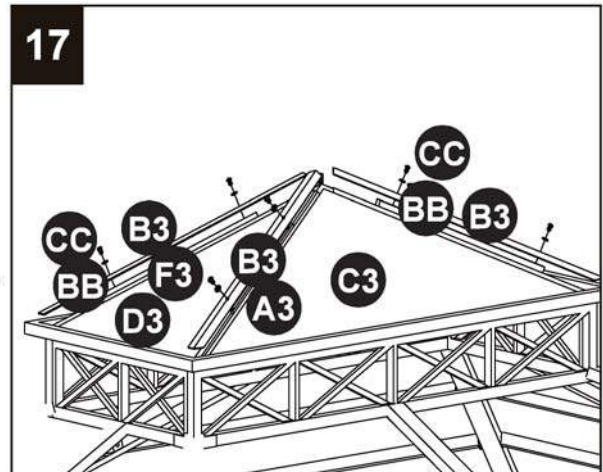
16. Place roof covers of small top long side (C3) and roof covers of small top short side (D3) onto small top.



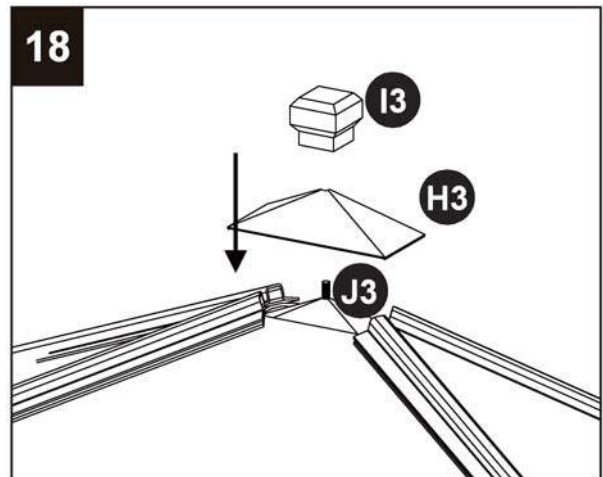
17. Attach small top sheetings (B3) to small top bottom beams 1 (A3) and small top bottom beams 2 (F3) using short bolts (CC) and flat washers (BB). Tighten with wrench (LL).

Hardware Used

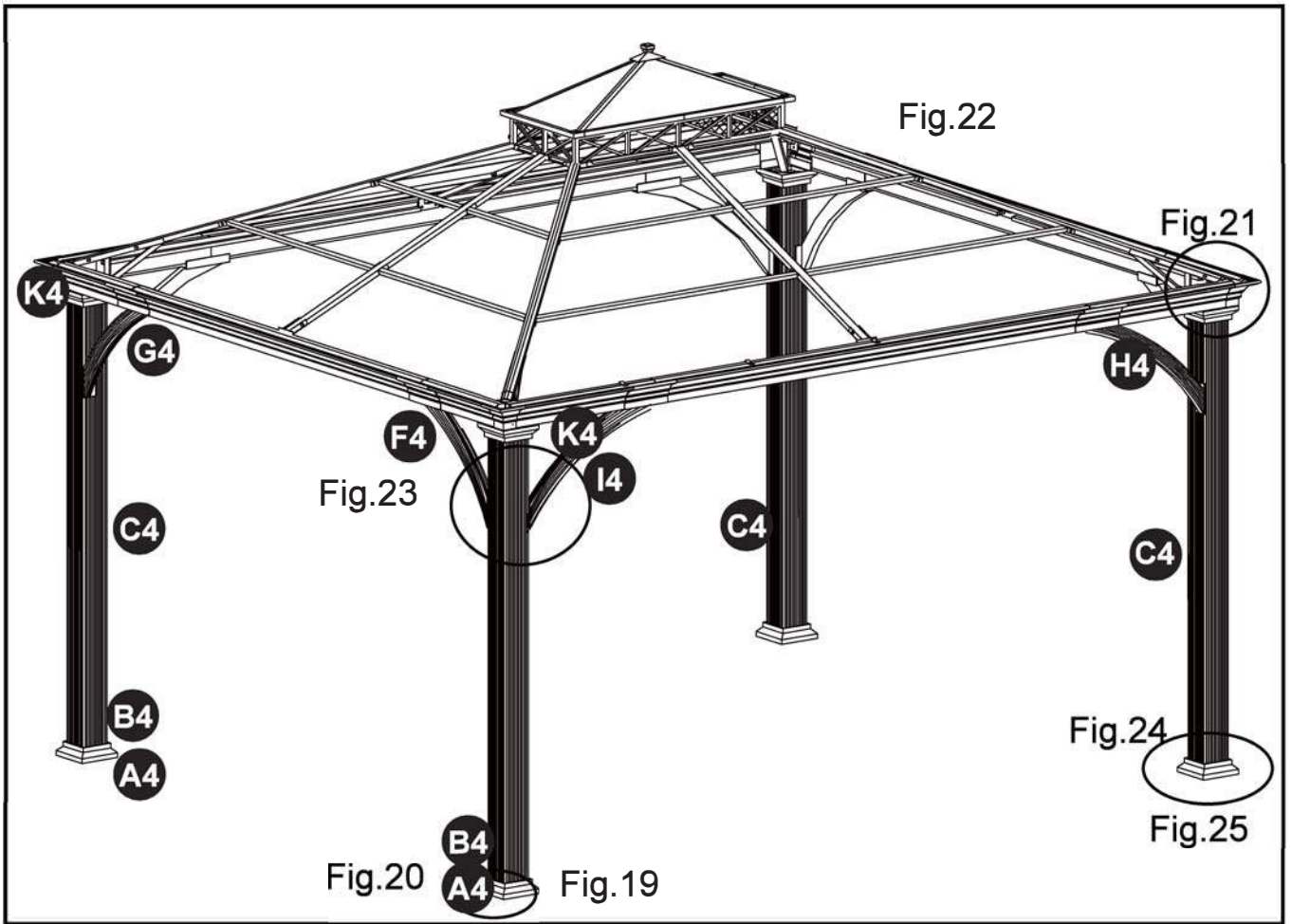
BB	M6 Flat Washer		x 8
CC	M6 x 15 mm Short Bolt		x 8
LL	M6 Wrench		x 1



18. Place the small top cover (H3) onto the small top and screw the top decor (I3) onto the exposed end of chandelier hook (J3).


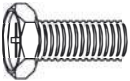



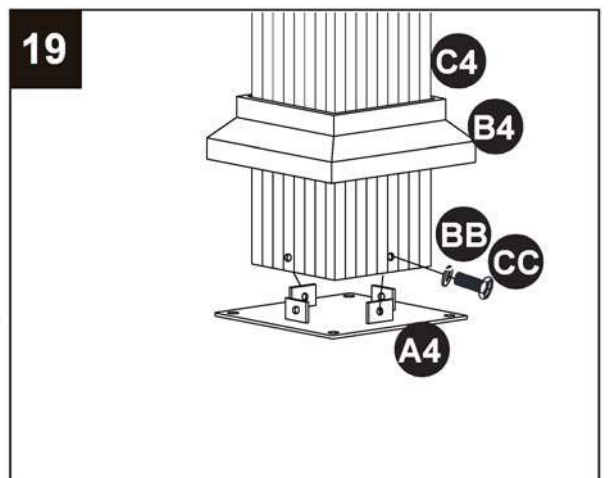
ASSEMBLY INSTRUCTIONS



19. Insert the posts (C4) into the base covers (B4), and then install the post bases (A4) to the bottoms of posts (C4) using short bolts (CC) and flat washers (BB). Tighten with wrench (LL).

Hardware Used

BB	M6 Flat Washer		x 8
CC	M6 x 15 mm Short Bolt		x 8
LL	M6 Wrench		x 1



ASSEMBLY INSTRUCTIONS

20. Attach the top blocks (K4) to top of the posts (C4) using short bolts (MM) and flat washers (BB). Tighten with wrench (LL)

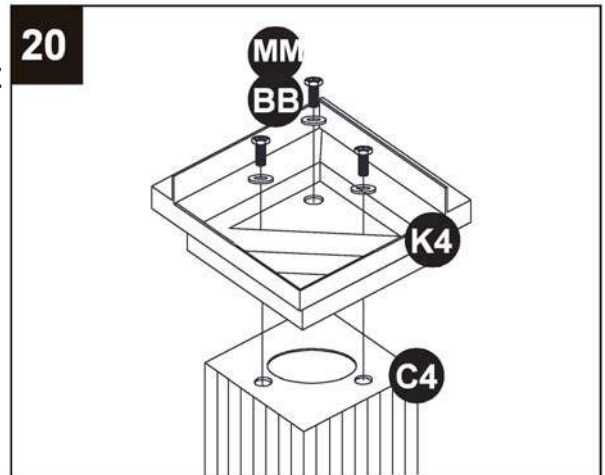
Note: The screw holes on the posts and the screw holes on the block plates must align as shown in order to secure the connection properly.

Hardware Used

BB M6 Flat Washer  x 12

MM M6 x 20 mm Short Bolt  x 12

Z1 M6 Wrench  x 1



21. Lift the assembled roof and attach the assembled posts to the corners of the roof using short bolts (MM), Spring Washer (OO) and flat washers (BB). Tighten with wrench (LL).

Note: This unit is heavy. Six to eight people are recommended for this step for safe assembly.

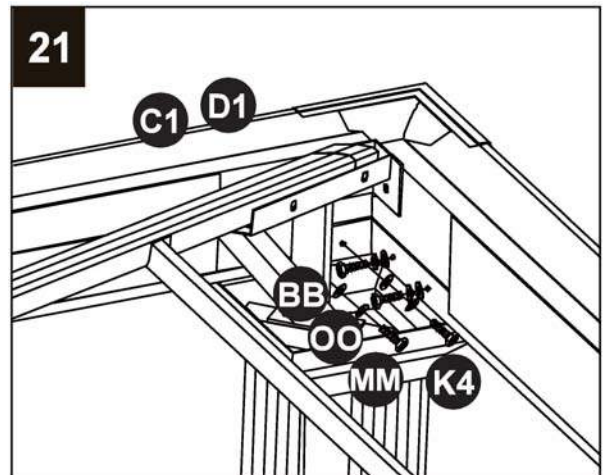
Hardware Used

BB M6 Flat Washer  x 16

MM M6 x 20 mm Short Bolt  x 16

OO M6 Spring Washer  x 16

LL M6 Wrench  x 1



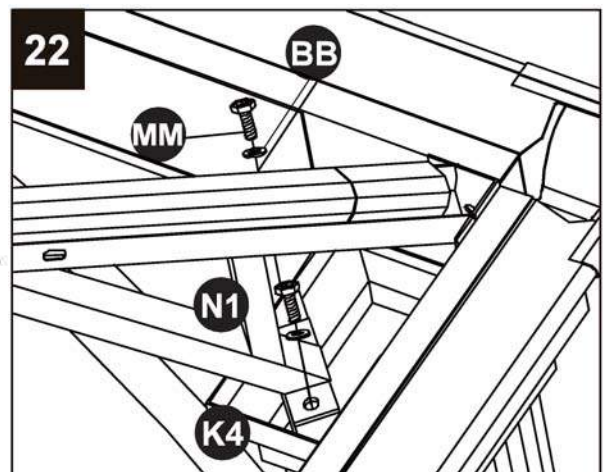
22. Attach the corner connectors (N1) to the top blocks (K4) using short bolts (MM) and flat washers (BB). Tighten with wrench (LL).

Hardware Used

BB M6 Flat Washer  x 8

MM M6 x 20 mm Short Bolt  x 8


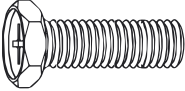

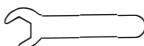
LL M6 Wrench  x 1

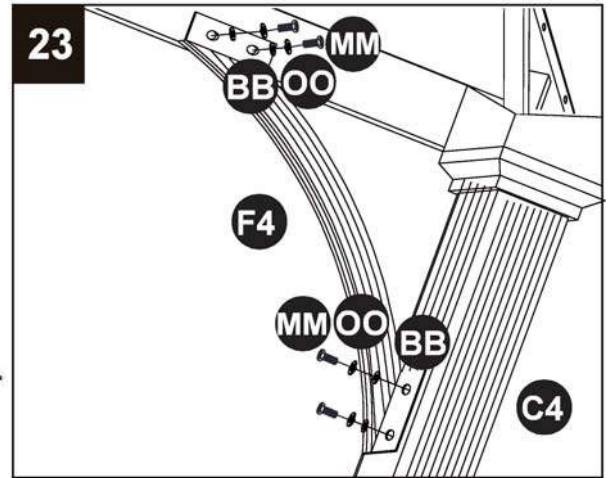


ASSEMBLY INSTRUCTIONS

23. Attach the top ends of short right arc supports (F4) to decorative gutters and the other end to posts (C4) using short bolts (MM), Spring Washer (OO) and flat washers (BB). Tighten with wrench (LL). Repeat this step for all other arc supports (G4, H4, I4).



Hardware Used

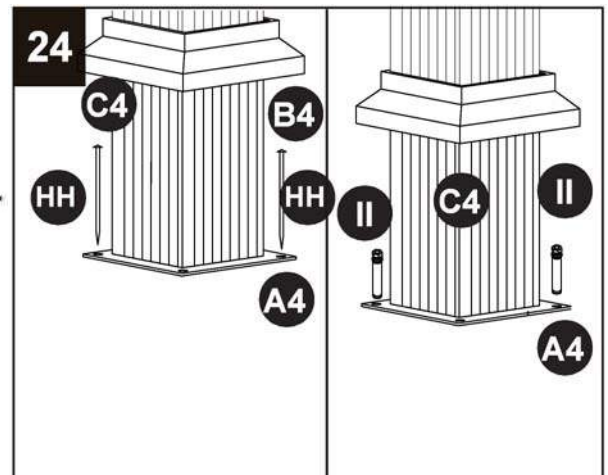
- BB** M6 Flat Washer  x 32
- MM** M6 x 20 mm Short Bolt  x 32
- OO** M6 Spring Washer  x 32
- LL** M6 Wrench  x 1



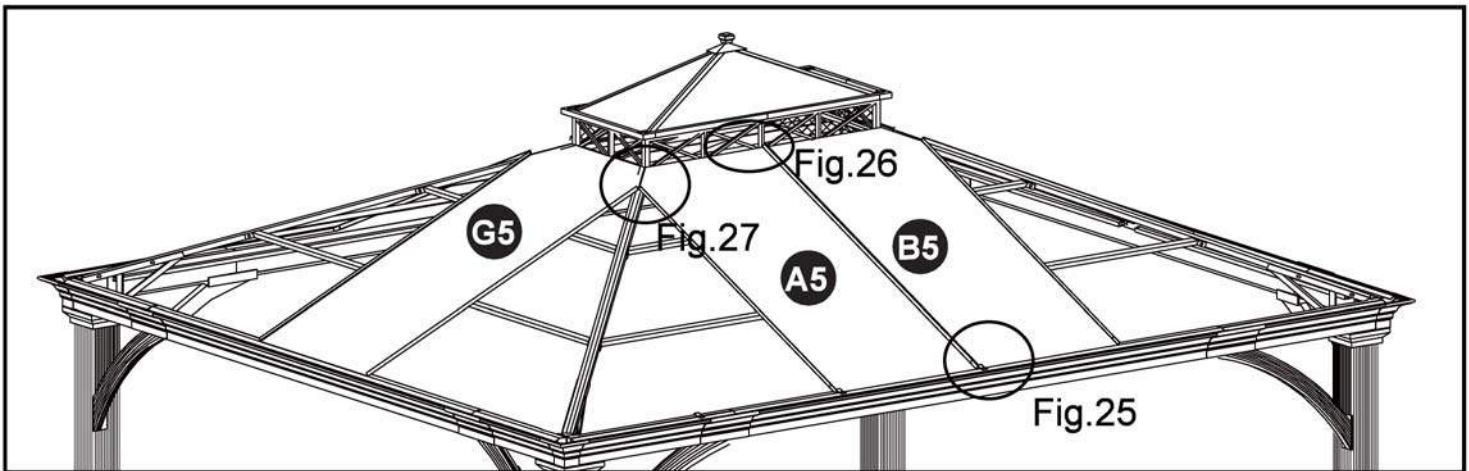
24. Secure the assembled gazebo using stakes (HH) or anchors (II) depending on the surface.

Hardware Used

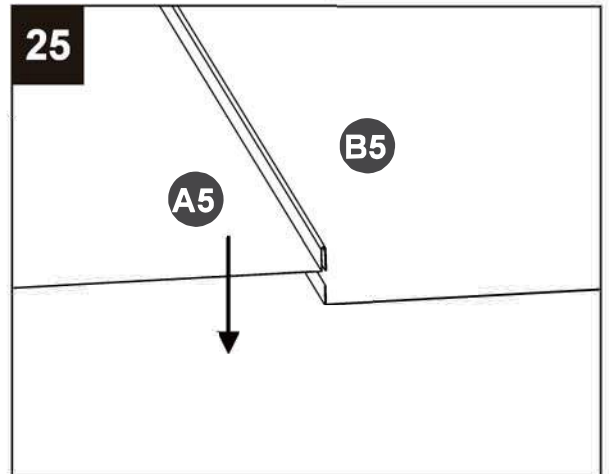
- HH** $\varnothing 8 \times 180 \text{ mm}$ Stake  x 8
- II** M6 X 80 mm Anchor  x 8



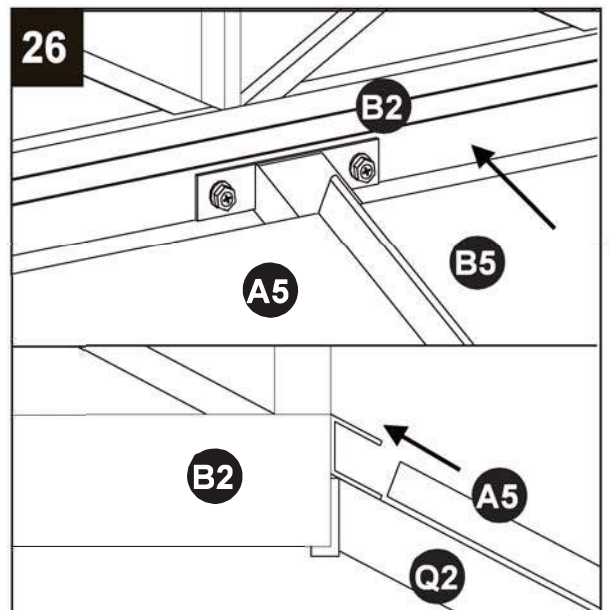
ASSEMBLY INSTRUCTIONS



25. Press left long big top covers (A5) to right long big top covers (B5).

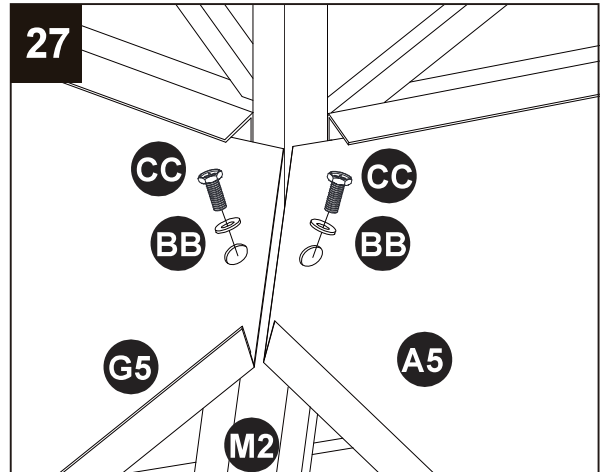


26. Insert each assembly from the previous step into the U-grooves on each side of the big top frame (B2). Repeat this step for short big top cover (G5)


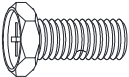
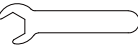


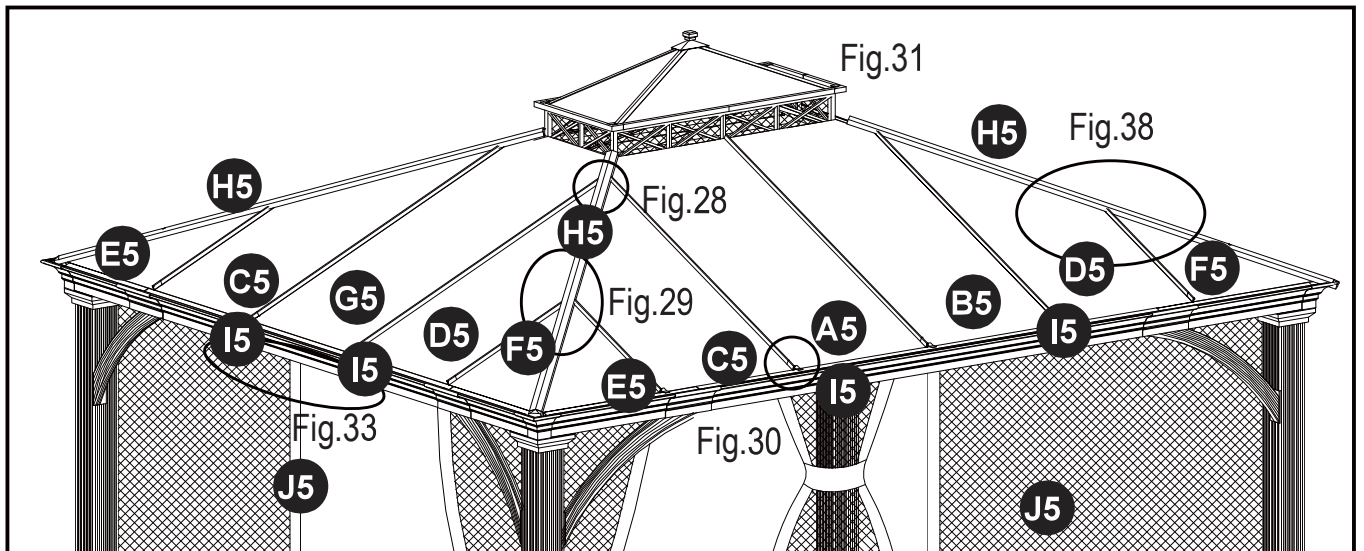
ASSEMBLY INSTRUCTIONS

27. Attach left long big top covers (A5) and short big top covers (G5) to top slanting bars (M2) using short bolts (CC) and flat washers (BB). Tighten with wrench (LL).




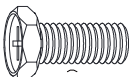
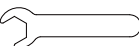
Hardware Used

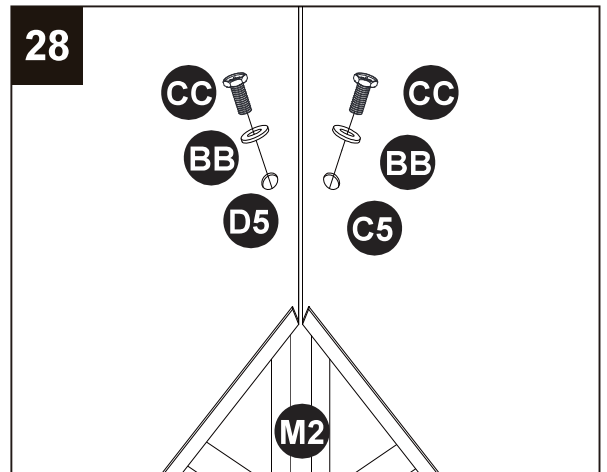
- | | | | |
|-----------|-----------------------|---|-----|
| BB | M6 Flat Washer |  | x 8 |
| CC | M6 x 15 mm Short Bolt |  | x 8 |
| LL | M6 Wrench |  | x 1 |



28. Attach right middle big top covers (D5) and left middle big top covers (C5) to top slanting bars (M2) using short bolts (CC) and flat washers (BB). Tighten with wrench (LL).

Hardware Used


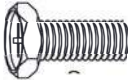
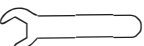
- | | | | |
|-----------|-----------------------|---|-----|
| BB | M6 Flat Washer |  | x 8 |
| CC | M6 x 15 mm Short Bolt |  | x 8 |
| LL | M6 Wrench |  | x 1 |

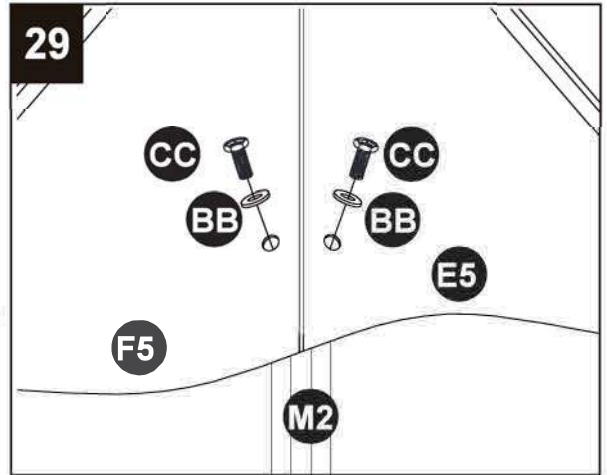


ASSEMBLY INSTRUCTIONS

29. Attach right small big top covers (F5) and left small big top covers (E5) to top slanting bars (M2) using short bolts (CC) and flat washers (BB). Tighten with wrench (LL).


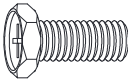
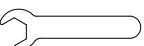
Hardware Used

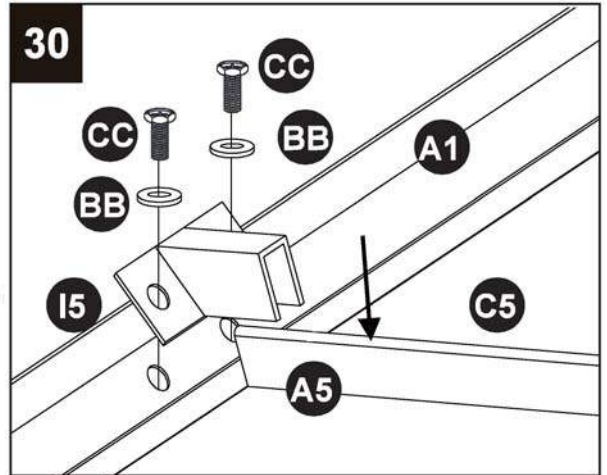
BB	M6 Flat Washer		x 8
CC	M6 x 15 mm Short Bolt		x 8
LL	M6 Wrench		x 1



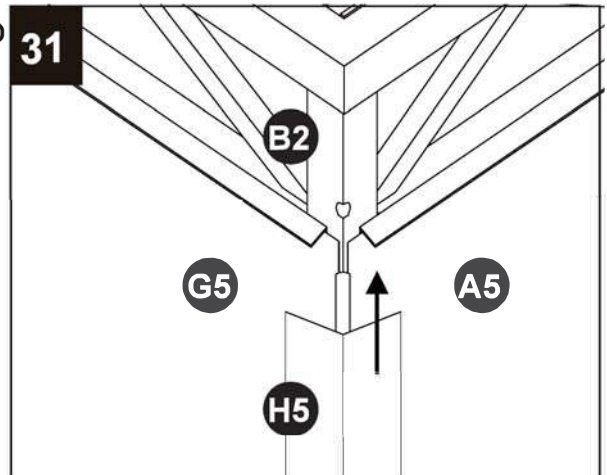
30. Press up the roof covers with the roof press sheet (I5) and attach the roof press sheet (I5) to decorative beams using short bolts (CC) and flat washers (BB). Tighten with wrench (LL).

Hardware Used

BB	M6 Flat Washer		x 36
CC	M6 x 15 mm Short Bolt		x 36
Z1	M6 Wrench		x 1

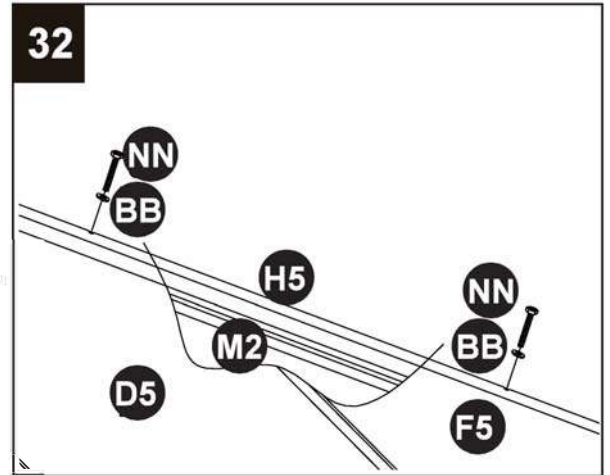


31. Insert the top ends of top covers (H5) into each corner hole of the small top frame (B2).


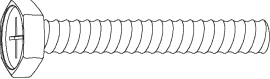
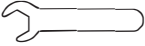


ASSEMBLY INSTRUCTIONS

32. Attach the top cover (H5) to top slanting bars (M2) using long bolts (NN) and flat washers (BB).
Tighten with wrench (LL).

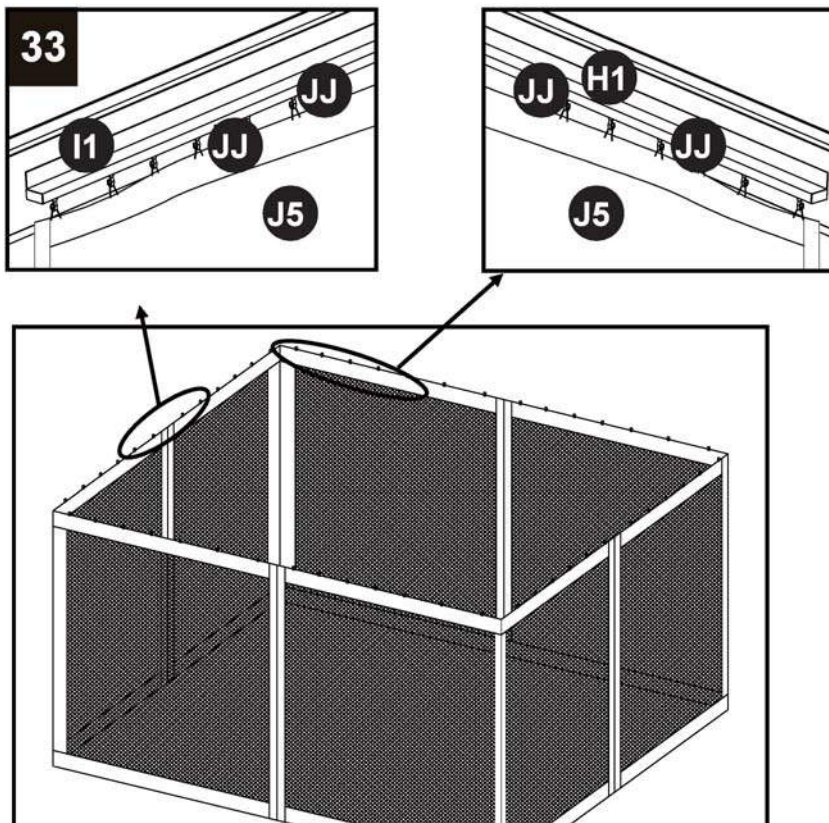


Hardware Used

BB	M6 Flat Washer M6 x 40 mm		x 8
NN	Long Bolt		x 8
LL	M6 Wrench		x 1

33. Hang the mosquito netting (J5) onto long mosquito netting tubes (H1) and short mosquito netting tubes (I1) by hooks (JJ).

Note: Please keep mosquito netting with preassembled belt outside. Be mindful of the dimensions of the item to ensure you install the mosquito netting (J5) correctly. Attach 6 hooks to short tubes (I1) and 7 hooks to long tubes (H1).



CARE AND MAINTENANCE

- Steel components for this gazebo are treated with rust inhibiting paint that protects it from rusting. However, due to the nature of steel, surface oxidation (rusting) will occur if these protective coatings are scratched. This is not a defect and thus not covered by the warranty.

To minimize this condition, we recommend care when assembling and handling the product to prevent scratching the paint. Should any scratching or damage occur, it is recommended you immediately touch-up the item with rust-inhibiting paint. Surface rust can also be easily removed with a very light application of regular cooking oil. If surface oxidation (rusting) occurs and if no measure is taken to prevent this, the oxidation may start dripping onto deck or patio and caused damaging stains, which may be difficult to remove. This can be prevented if the above measures are taken to keep the product from oxidizing.

- Do not use bleach, acid, or other abrasive cleaners on the roof or frame parts.
- Keep instruction manual for future reference.
- Keep the original packaging to store the gazebo.

ONE-YEAR LIMITED WARRANTY

This limited warranty is extended to the original purchaser and applies to defects in material and workmanship of your item provided the item is maintained with care and used only for personal, residential purposes. Please note that this warranty does not exceed 1 year. Parts, Canopies, Drapes, and Netting may be available for purchase after 1 year but is available to a limited time frame for each product. Your current exact color may not be available. This warranty does not cover inclement weather due to high winds, excessive snow or rain, and other extreme weather issues.

The manufacturer warranty for this item, is to be free of defects in material and workmanship for a period of one year. If any defect is found, please call our customer service department at for help. The manufacturer will not cover transportation or delivery costs or compensate the individual or any third party for assembling or disassembling the product. This warranty gives you certain rights, and you may have other rights that vary from state to state.

REPLACEMENT PARTS LIST

For replacement parts, call our customer service department at 1-866-578-6569.

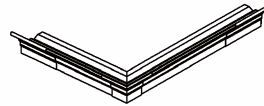
Y1



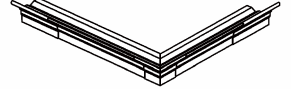
Y2



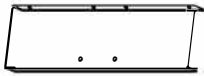
C1



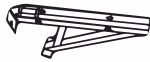
D1



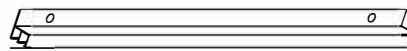
F1



N1



H1



I1



M2



B2



Q2



R2



S2



N2



P2



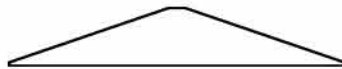
A3



B3



C3



D3



E3



F3



G3



H3



I3



J3



A4



B4



C4



K4



F4



G4



H4



REPLACEMENT PARTS LIST

I4



A5



B5



C5



D5



E5



F5



G5



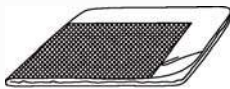
H5



I5

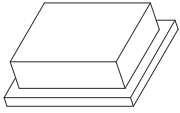


J5

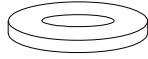


REPLACEMENT PARTS LIST

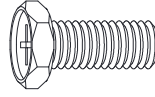
AA



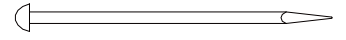
BB



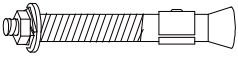
CC



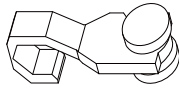
HH



II



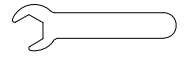
JJ



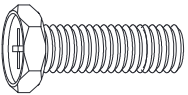
KK



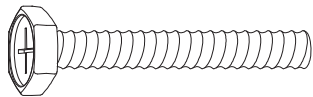
LL



MM



NN



OO



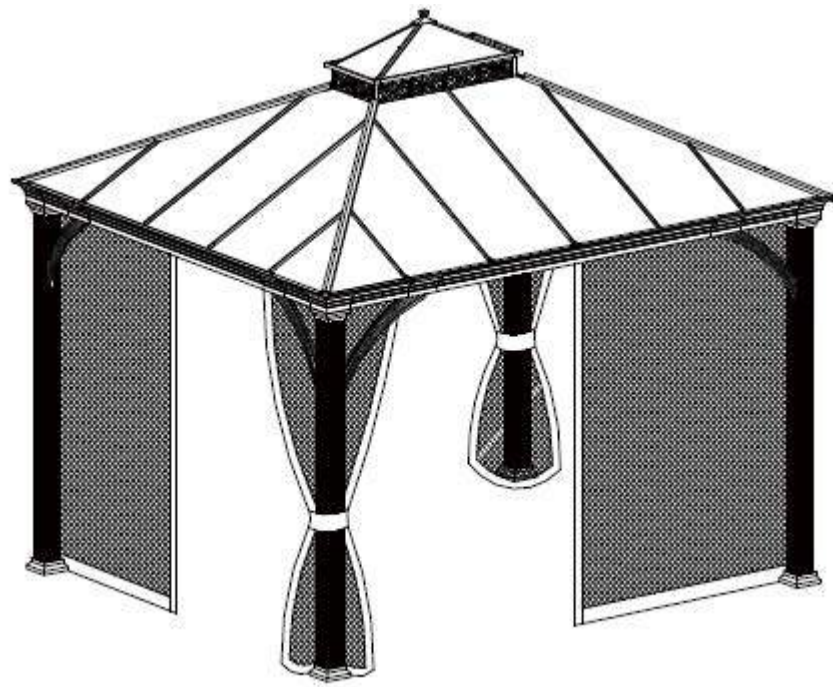
REPLACEMENT PARTS LIST

PART	DESCRIPTION	PART#
Y1	Long Decorative Gutter	P005600183
Y2	Short Decorative Gutter	P005600182
C1	Corner Decorative Gutter 1	P005600184
D1	Corner Decorative Gutter 2	P005600185
F1	Decorative Gutter Connector	P000500781
N1	Corner Connector	P000500780
H1	Long Mosquito Netting Tube	P005700284
I1	Long MidShort Mosquito Netting Tube	P005700285
M2	Top Slanting Bar	P000600964
B2	Big Top Frame	P000500779
Q2	Middle Beam	P000600963
R2	Left Long Support Beam of Big Top Long Side	P000600968
N2	Left Long Support Beam of Big Top Short Side	P000600967
S2	Left Short Support Beam of Big Top Long Side	P000600966
P2	Left Short Support Beam of Big Top Short Side	P000600965
A3	Small Top Bottom Beam 1	P000600961
B3	Small Top Sheeting	P000700384
C3	Roof Cover of Small Top Long Side	P000700386
D3	Roof Cover of Small Top Short Side	P000700385
E3	Small Top Bottom Connecting Frame	P000500778
F3	Small Top Bottom Beam 2	P000600962
G3	Small Top Connector	P000500777
H3	Small Top Cover	P000700383
I3	Top Decor	P005600181
J3	Chandelier Hook	P005800001
A4	Post Base	P000100190
B4	Base Cover	P006100119
C4	Post	P000200310

REPLACEMENT PARTS LIST

PART	DESCRIPTION	PART#
K4	Top Block	P000300035
F4	Short Right Arc Support	P005000258
G4	Short Left Arc Support	P005000259
H4	Long Right Arc Support	P005000260
I4	Long Left Arc Support	P005000261
A5	Left Long Big Top Cover	P000700388
B5	Right Long Big Top Cover	P000700389
C5	Left Middle Big Top Cover	P000700391
D5	Right Middle Big Top Cover	P000700390
E5	Left Small Big Top Cover	P000700392
F5	Right Small Big Top Cover	P000700393
G5	Short Big Top Cover	P000700387
H5	Top Cover	P000800166
I5	Roof Press Sheet	P002200126
J5	Mosquito Netting	P001200194
AA	Plastic Cap	P008100010
BB	M6 Flat Washer	H050030001
CC	M6 x 15 mm Short Bolt	H010020011
HH	Ø 8 X 180 mm Stake	H070010003
II	M6 X 80 mm Anchor	H010100006
JJ	Hook	P005100281
KK	M6 Hooded Nut	H040040001
LL	M6 Wrench	H090010017
MM	M6 x 20 mm Short Bolt	H010020012
NN	M6 x 40 mm Long Bolt	H010020022
OO	M6 Spring Washer	H050020017

Article No.: A102006900



Nous pensons en vous, laissez-nous vous aider !

Questions? Problèmes?

Contactez-nous

24 heures / 7 jours par semaine



www.sunjoyonline.com



customer.care@sunjoygroup.com

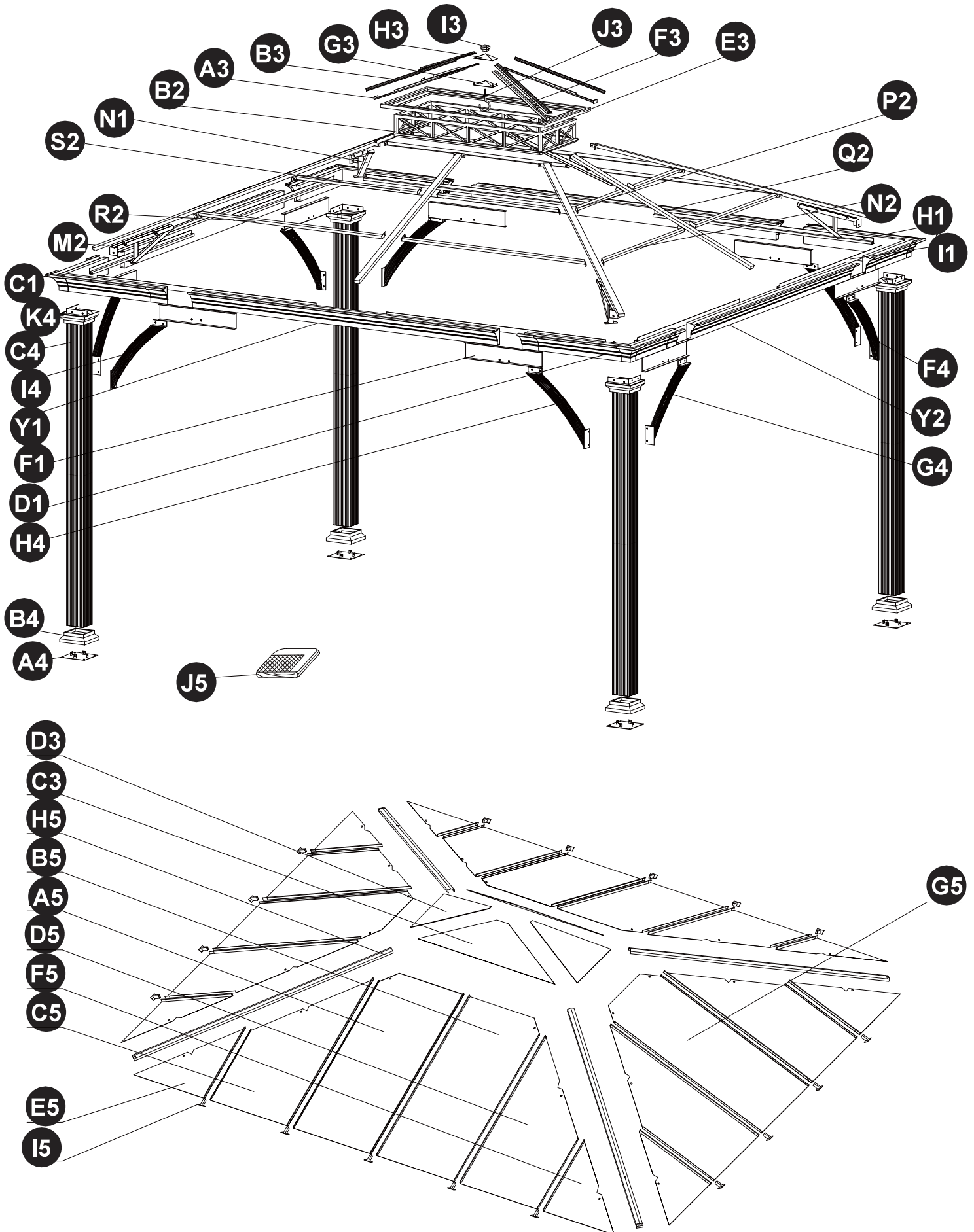


A10200690223

Pays d'origine: Chine

Numéro de fabrication:XXXXXXXX

CONTENU DE L'EMBALLAGE



CONTENU DE L'EMBALLAGE

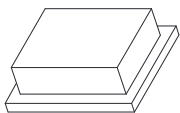
PIÈCE	DESCRIPTION	QUANTITÉ
Y1	Gouttière décorative longue	2
Y2	Gouttière décorative courte	2
C1	Gouttière décorative en coin 1	2
D1	Gouttière décorative en coin 2	2
F1	Raccord de gouttière décorative	8
N1	Raccord de coin	4
H1	Tube de moustiquaire long	4
I1	Tube de moustiquaire court	4
M2	Barre inclinée supérieure	4
B2	Armature du grand toit	1
Q2	Poutrelle centrale	4
R2	Longue traverse de soutien du long cote du grand toit	4
N2	Longue traverse de soutien du cote court du grand toit	4
S2	Traverse de soutien courte du long cote du grand toit	4
P2	Traverse de soutien courte du cote court du grand toit	4
A3	Traverse inferieure du petit toit 1	2
B3	Revetement du petit toit	4
C3	Panneau du cote long du petit toit	2
D3	Panneau du cote court du petit toit	2
E3	Armature de raccord inferieure du petit toit	1
F3	Traverse inferieure du petit toit 2	2
G3	Raccord du petit toit	1
H3	Capuchon du petit toit	1
I3	Decoration superieure	1
J3	Crochet du lustre	1
A4	Base du montant	4
B4	Capuchon de pied	4
C4	Montant	4

CONTENU DE L'EMBALLAGE

PIÈCE	DESCRIPTION	QUANTITY
K4	Bloc supérieur	4
F4	Arche de soutien court de droite	2
G4	Arche de soutien court de gauche	2
H4	Arche de soutien long de droite	2
I4	Arche de soutien long de gauche	2
A5	Long panneau gauche du grand toit	2
B5	Long panneau droit du grand toit	2
C5	Long panneau central gauche du grand toit	4
D5	Long panneau central droit du grand toit	4
E5	Petit panneau gauche du grand toit	4
F5	Petit panneau droit du grand toit	4
G5	Panneau court du grand toit	2
H5	Capuchon supérieur	4
I5	Plaque pressée du toit	18
J5	Moustiquaire	1

QUINCAILLERIE INCLUSE (grandeur non réelle)

AA



Capuchon en
plastique

Qté : 16

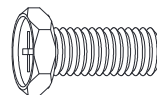
BB



Rondelle plate
M6

Qté : 292 + 15
de rechange

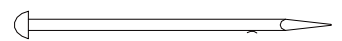
CC



Boulon court
M6 de 15 mm

Qté : 212 + 11
de rechange

HH

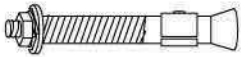


Piquet
Ø 8 x 180 mm

Qté : 8

QUINCAILLERIE INCLUSE (grandeur non réelle)

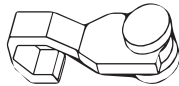
II



Cheville d'ancrage
M6x 80 mm

Qté : 8

JJ



Crochet

Qté : 52 + 3
de rechange

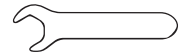
KK



Écrou à
capuchon M6

Qté : 4 + 1
de rechange

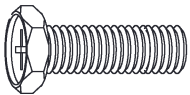
LL



Clé M6

Qté : 2

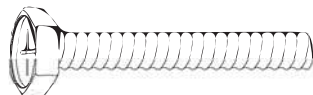
MM



Boulon court
M6 de 20 mm

Qté : 68 + 4
de rechange

NN



Boulon longue
M6 de 40 mm

Qté : 8 + 1
de rechange

OO



Rondelle à
ressort M6

Qté : 48 + 3
de rechange

CONSIGNES DE SÉCURITÉ

Assurez-vous de lire et de comprendre l'intégralité de ce manuel avant de tenter d'assembler ou d'installer l'article.

AVERTISSEMENT

- Assurez-vous que les enfants et les animaux ne s'approchent pas de l'endroit où vous assemblez l'article. Surveillez les enfants et les animaux pendant l'assemblage du pavillon de jardin.
- Le pavillon de jardin assemblé doit être positionné à au moins 1,82 mètre de toute forme d'obstacle comme une clôture, un garage, une maison, des branches en surplomb, des cordes à linge ou des fils électriques.
- Certaines pièces peuvent avoir des bords coupants. Au besoin, portez des gants protecteurs pendant l'assemblage.
- Cet article est lourd. Pour des raisons de sécurité, n'assemblez pas cet article seul. Il est recommandé d'assembler cet article avec l'aide de six à huit personnes.
- Vérifiez tous les boulons et les écrous périodiquement afin de vous assurer qu'ils sont serrés. Au besoin, resserrez-les.

CONSIGNES DE SÉCURITÉ

AVERTISSEMENT

- Bien que ce pavillon de jardin soit fabriqué pour résister aux vents à l'aide des piquets de sol seulement, s'il est installé dans un endroit fréquemment touché par du temps violent, on devrait envisager de le fixer à une terrasse, à une terrasse en béton ou à des semelles de fondation.
- N'utilisez pas une échelle qui s'appuie sur le pavillon de jardin et ne grimpez pas sur le toit.
- N'utilisez pas le pavillon de jardin et n'y entrez pas en présence de l'une des conditions suivantes ou d'une condition semblable :
 1. Mouvement visible des éléments porteurs ou des pans de toiture, ou toit qui s'affaisse.
 2. Craquements ou bruit audible provenant du pavillon de jardin.
 3. Craquements, bris ou défaut d'un élément porteur ou d'un panneau de toit.
 4. Fixations manquantes ou endommagées.
- Gardez les flammes et autres sources de chaleur à distance de la toile. Cette toile est faite d'un tissu qui satisfait aux normes CPAI-84 pour une résistance aux flammes. Elle n'est pas ignifugée.

ATTENTION

- Installez le pavillon de jardin sur un sol de niveau. Des piquets sont fournis pour ancrer le pavillon de jardin au sol. N'assemblez pas le pavillon de jardin sur un sol sablonneux, boueux ou meuble, puisque les piquets n'ont pas une bonne capacité d'ancrage dans ces sols. Si vous désirez ancrer le pavillon de jardin dans une surface en bois ou en ciment, utilisez de la quincaillerie (non incluse) adaptée à ces surfaces.
- La neige doit être retirée régulièrement lors de jours enneigés. Retirez la neige du toit lorsque l'accumulation dépasse 10,16 cm. Afin d'éviter les dommages, utilisez un râteau à neige en plastique pour retirer l'excès de neige et de glace du toit et éloignez-vous de l'endroit où tombent les débris.
- L'assemblage ou l'entretien de l'article doit être effectué par un adulte seulement.
- Veuillez vérifier les règlements locaux et provinciaux avant d'acheter l'article. Un permis d'installation et d'utilisation pourrait être nécessaire à certains endroits. Certaines procédures particulières peuvent s'appliquer à votre région.
- Pour un usage à l'extérieur seulement.
- Capacité pondérale du crochet central : 14,96 kg

PRÉPARATION

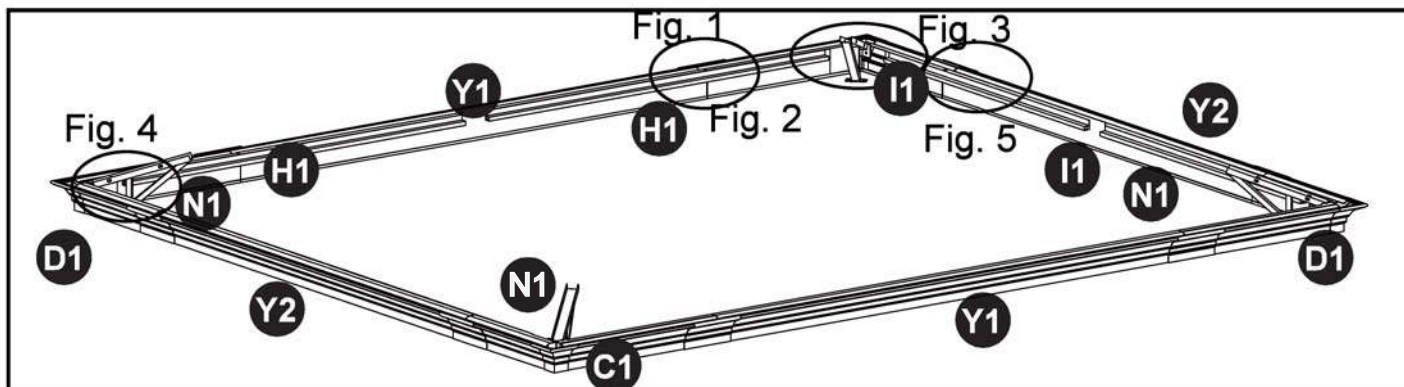
Avant de commencer l'assemblage de l'article, assurez-vous d'avoir toutes les pièces. Comparez le contenu de l'emballage avec la liste de la quincaillerie incluse. S'il y a des pièces manquantes ou endommagées, ne tentez pas d'assembler l'article.

Temps d'assemblage approximatif : 150 minutes

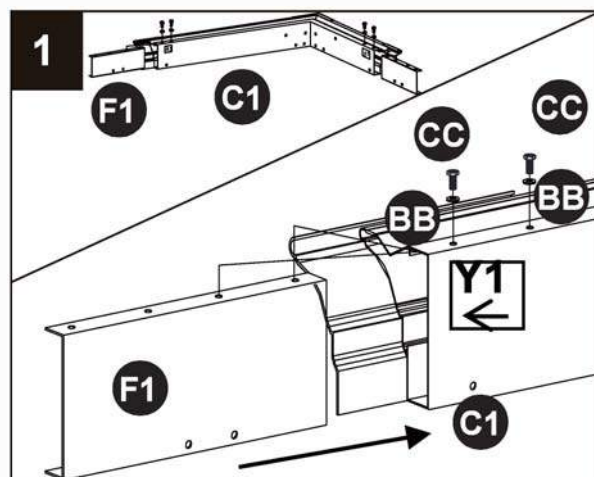
Outils nécessaires pour l'assemblage (inclus) : clé.

Outils nécessaires pour l'assemblage (non inclus) : tournevis cruciforme, marteau et deux échelles (d'au moins 2,49 m de haut).


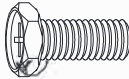
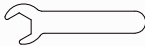
INSTRUCTIONS POUR L'ASSEMBLAGE



1. Fixez les raccords de gouttière décorative (F1) et les gouttières décoratives en coin 1 (C1) à l'aide des boulons courts (CC) et des rondelles plates (BB). Répétez cette étape pour les raccords de gouttière décorative (F1) et les gouttières décoratives en coin 2 (D1). Serrez à l'aide de la clé (LL).



Quincaillerie utilisée

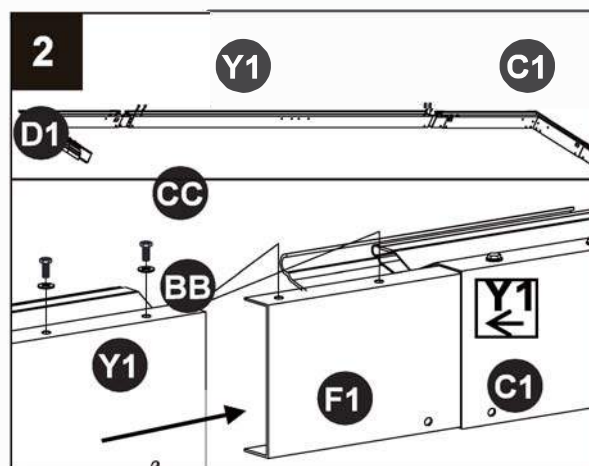
- BB** Rondelle plate M6  x 16
- CC** Boulon court M6 de 15 mm  x 16
- LL** Clé M6  x 1

2. Insérez les longues gouttières décoratives (Y1) dans les gouttières décoratives en coin 1 (C1) et les gouttières décoratives en coin 2 (D1) à l'aide des boulons courts (CC) et des rondelles plates (BB). Serrez à l'aide de la clé (LL).

Remarque : Veillez à insérer Y1 dans l'extrémité étiquetée à cet effet des pièces C1 et D1.

Quincaillerie utilisée

- BB** Rondelle plate M6  x 8
- CC** Boulon court M6 de 15 mm  x 8
- LL** Clé M6  x 1


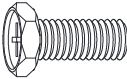
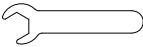


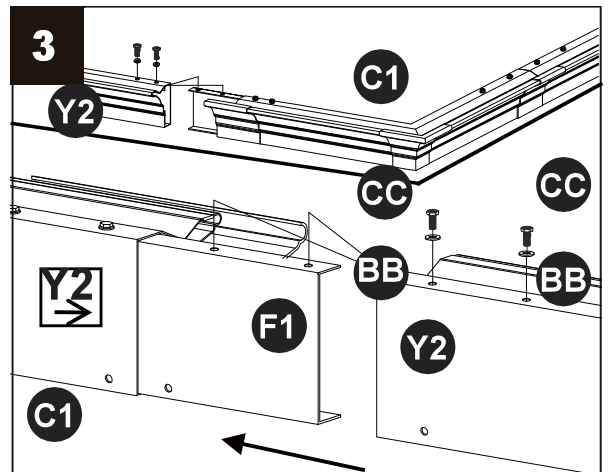
INSTRUCTIONS POUR L'ASSEMBLAGE

3. Insérez les gouttières décoratives courtes (Y2) dans les gouttières décoratives en coin 1 (C1) et les gouttières décoratives en coin 2 (D1) à l'aide des boulons courts (CC) et des rondelles plates (BB). Serrez à l'aide de la clé (LL).

Remarque : Veillez à insérer B1 dans l'extrémité étiquetée à cet effet des pièces C1 et D1.


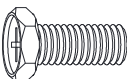
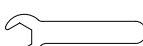
Quincaillerie utilisée

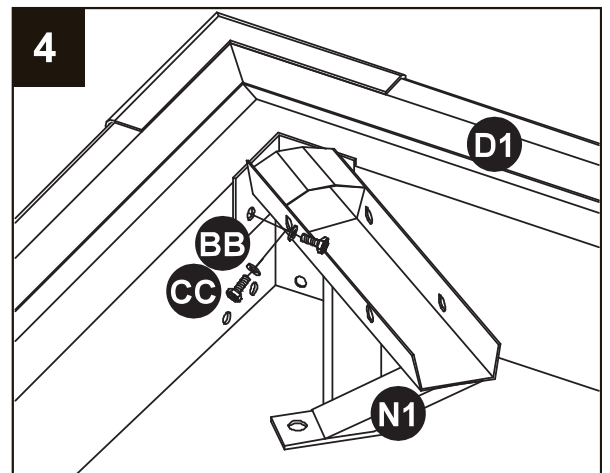
- BB** Rondelle plate M6  x 8
- CC** Boulon court M6 de 15 mm  x 8
- LL** Clé M6  x 1



4. Fixez les raccords de coin (N1) aux gouttières décoratives en coin 1 (C1) et aux gouttières décoratives en coin 2 (D1) à l'aide des boulons courts (CC) et des rondelles plates (BB). Serrez à l'aide de la clé (LL).

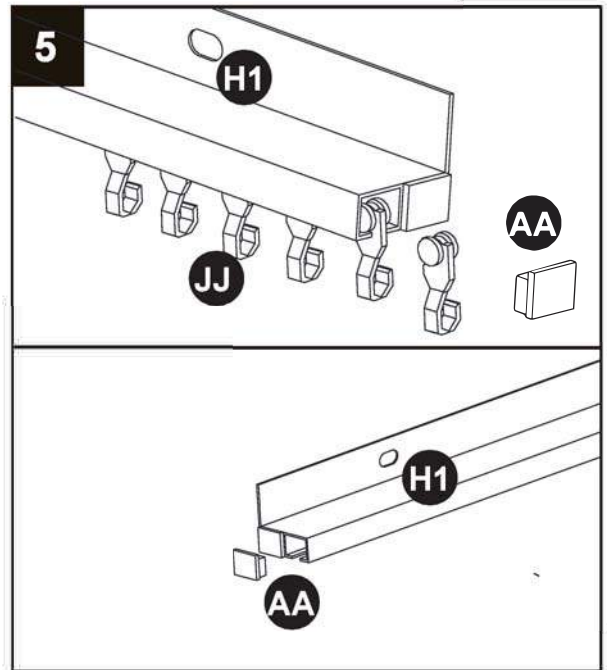
Quincaillerie utilisée

- BB** Rondelle plate M6  x 8
- CC** Boulon court M6 de 15 mm  x 8
- LL** Clé M6  x 1

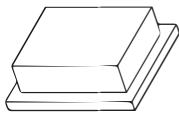
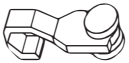


INSTRUCTIONS POUR L'ASSEMBLAGE

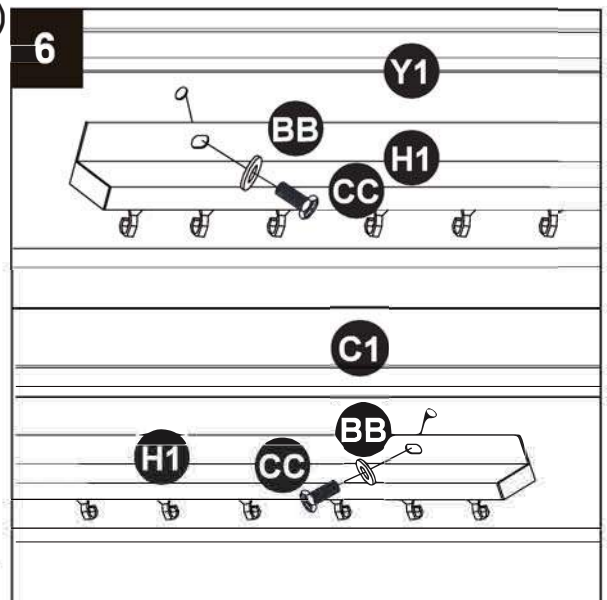
5. Fixez les capuchons en plastique (AA) à une extrémité de chaque tube de moustiquaire, puis insérez 7 crochets (JJ) à l'intérieur du rail du long tube de moustiquaire (H1) comme sur l'illustration et 6 crochets (JJ) à l'intérieur du rail des longs tubes de moustiquaire (I1). Fixez ensuite les capuchons en plastique (AA) aux autres extrémités de chacun des tubes de moustiquaire.




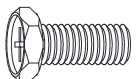
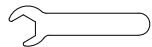
Quincaillerie utilisée

- AA** Capuchon en plastique  x 16
- JJ** Crochet  x 52

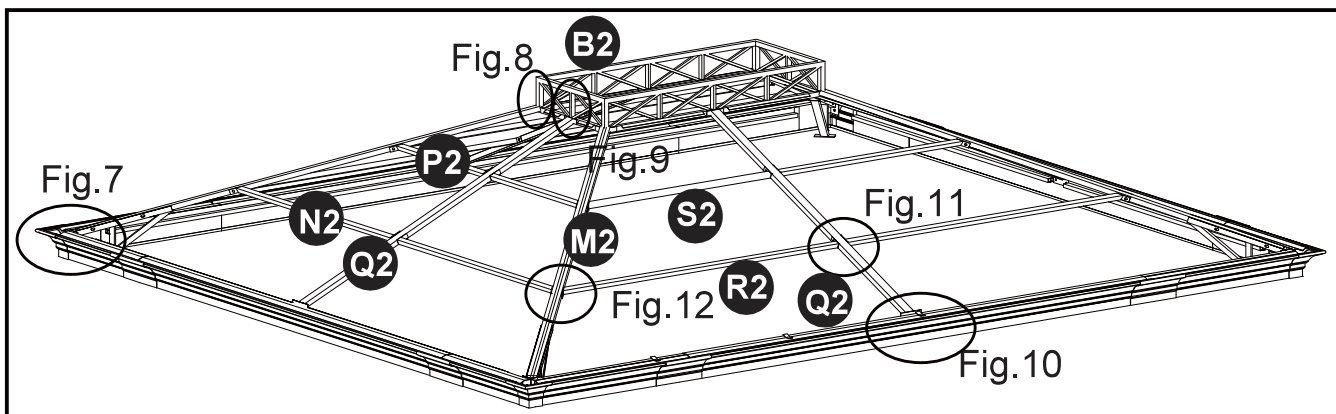
6. Fixez les longs tubes de moustiquaire (H1) aux longues gouttières décoratives (Y1) et aux gouttières décoratives en coin 1 (C1) à l'aide des boulons courts (CC) et des rondelles plates (BB). Répétez cette étape pour fixer les tubes de moustiquaire courts (I1) aux gouttières décoratives courtes (Y2) et aux gouttières décoratives en coin 2 (D1). Serrez à l'aide de la clé (LL).



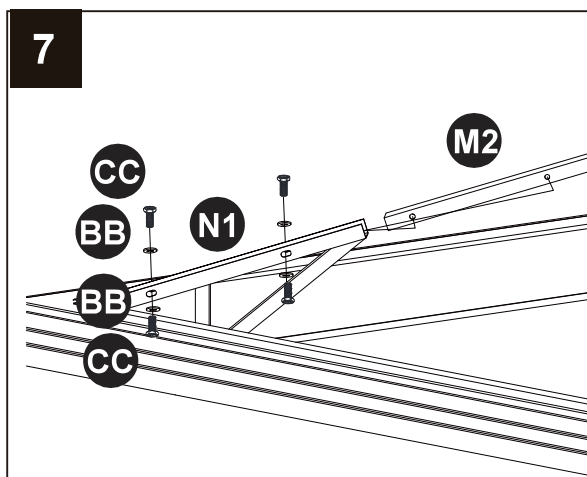
Quincaillerie utilisée

- BB** Rondelle plate M6  x 16
- CC** Boulon court M6 de 15 mm  x 16
- LL** Clé M6  x 1


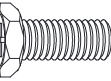
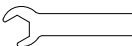
INSTRUCTIONS POUR L'ASSEMBLAGE



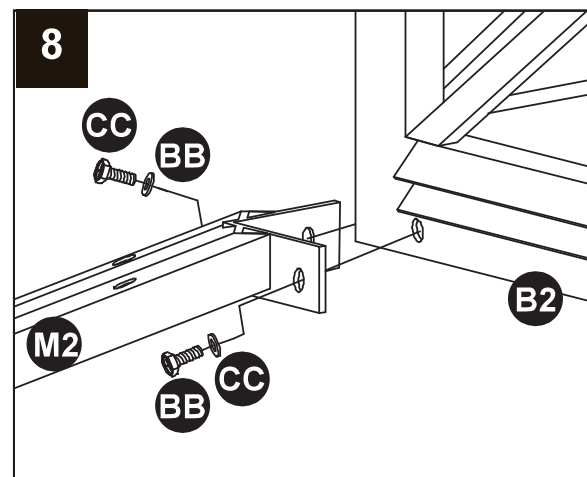
7. Fixez les extrémités inférieures des barres inclinées supérieures (M2) aux raccords de coin (N1) à l'aide des boulons courts (CC) et des rondelles plates (BB). Serrez à l'aide de la clé (LL).




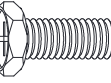
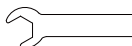
Quincaillerie utilisée

- BB** Rondelle plate M6  x 16
- CC** Boulon court M6 de 15 mm  x 16
- LL** Clé M6  x 1

8. Fixez les extrémités supérieures des barres inclinées supérieures (M2) à l'armature du grand toit (B2) à l'aide des boulons courts (CC) et des rondelles plates (BB). Serrez à l'aide de la clé (LL).




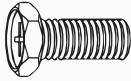
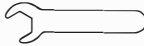
Quincaillerie utilisée

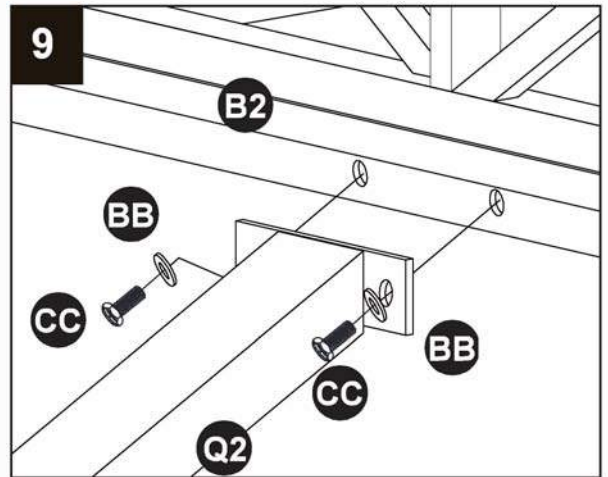
- BB** Rondelle plate M6  x 8
- CC** Boulon court M6 de 15 mm  x 8
- LL** Clé M6  x 1

INSTRUCTIONS POUR L'ASSEMBLAGE

9. Fixez les extrémités supérieures des traverses centrales (Q2) à l'armature du grand toit (B2) à l'aide des boulons courts (CC) et des rondelles plates (BB). Serrez à l'aide de la clé (LL).

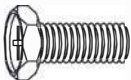
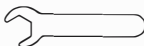
Quincaillerie utilisée

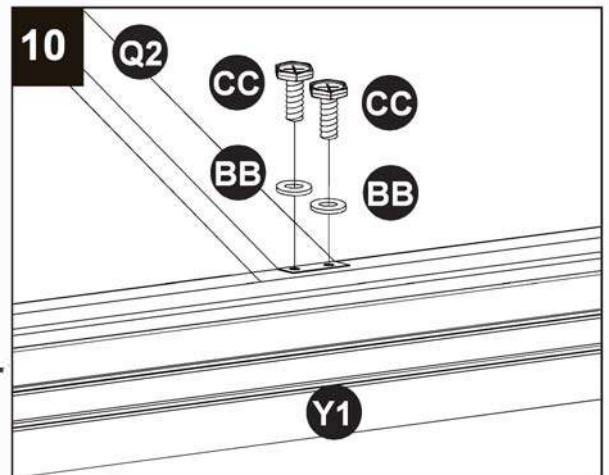
- BB** Rondelle plate M6  x 8
- CC** Boulon court M6 de 15 mm  x 8
- LL** Clé M6  x 1



10. Fixez les extrémités inférieures des traverses centrales (Q2) aux longues gouttières décoratives (Y1) et aux gouttières décoratives courtes (B1) à l'aide des boulons courts (CC) et des rondelles plates (BB). Serrez à l'aide de la clé (LL).

Quincaillerie utilisée

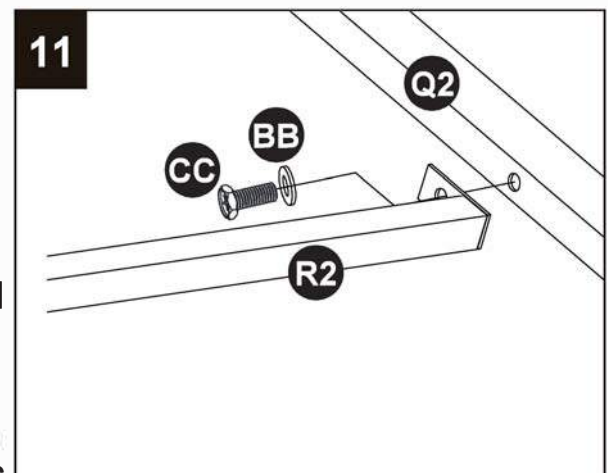
- BB** Rondelle plate M6  x 8
- CC** Boulon court M6 de 15 mm  x 8
- LL** Clé M6  x 1



11. Fixez une extrémité des traverses de soutien gauches du long côté du grand toit (R2) aux traverses centrales (Q2) à l'aide des boulons courts (CC) et des rondelles plates (BB). Répétez cette étape pour les autres longues traverses de soutien gauches du long côté du grand toit (M2). Serrez à l'aide de la clé (LL).

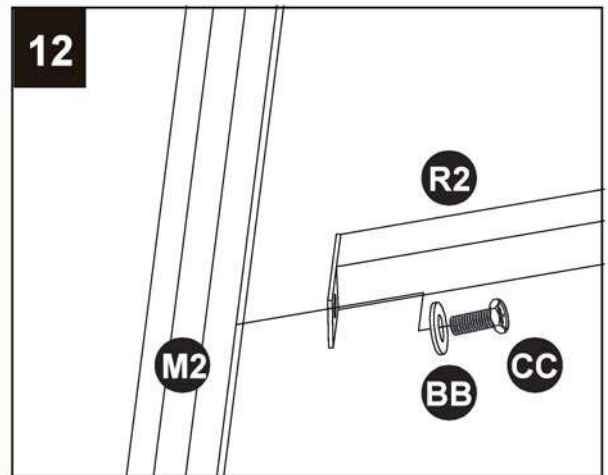
Quincaillerie utilisée

- BB** Rondelle plate M6  x 16
- CC** Boulon court M6 de 15 mm  x 16
- LL** Clé M6  x 1


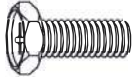
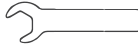


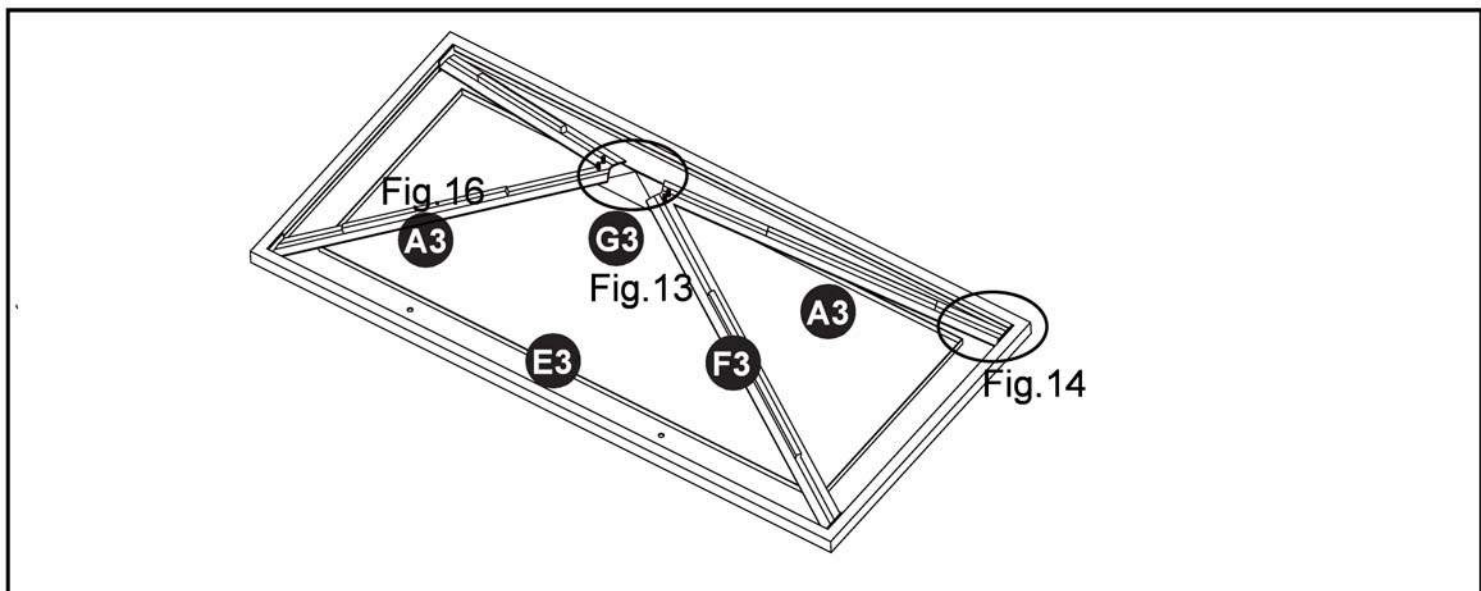
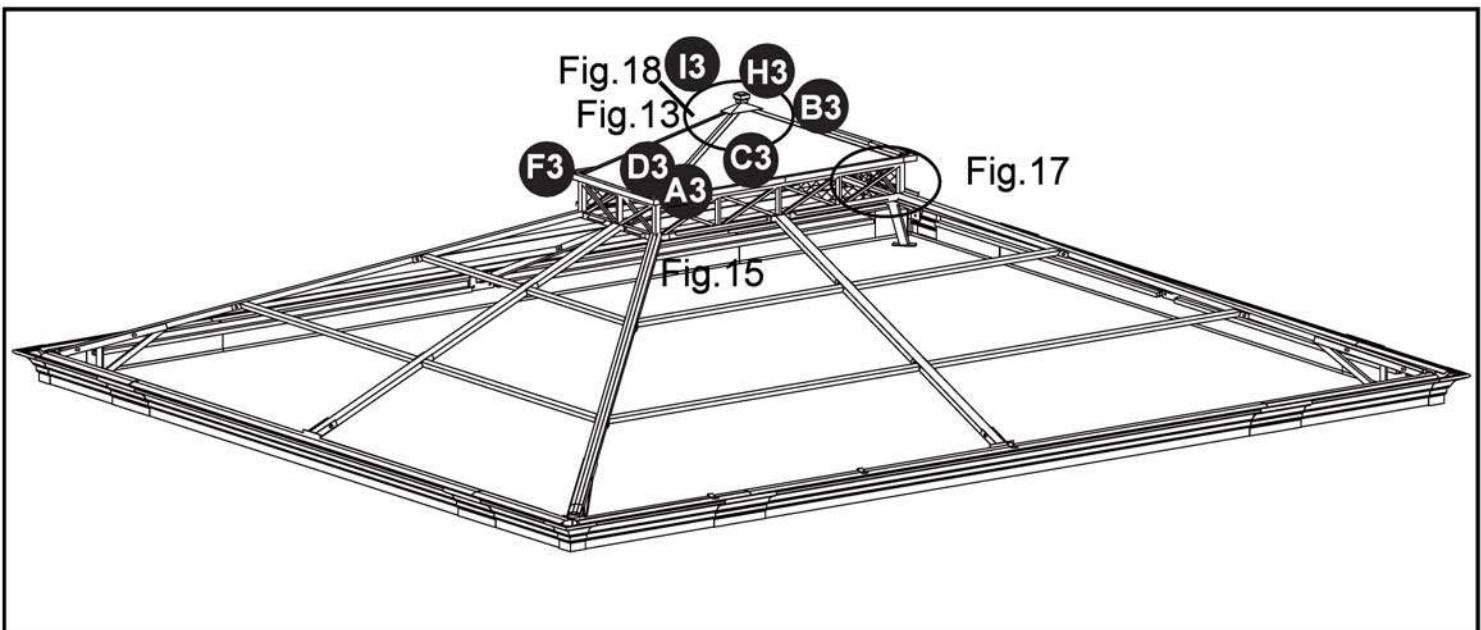
INSTRUCTIONS POUR L'ASSEMBLAGE

12. Fixez l'autre extrémité des longues traverses de soutien gauches du long côté du grand toit (R2) aux barres inclinées supérieures (M2) à l'aide des boulons courts (CC) et des rondelles plates (BB). Serrez le tout avec un tournevis cruciforme. Répétez les étapes 12 et 13 pour les autres traverses du grand toit (N2, S2, P2).



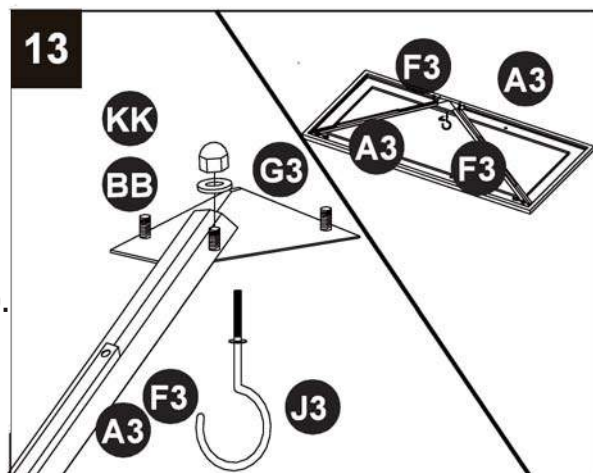
Quincaillerie utilisée

- BB** Rondelle plate M6  x 16
- CC** Boulon court M6 de 15 mm  x 16
- LL** Clé M6  x 1



INSTRUCTIONS POUR L'ASSEMBLAGE

13. Fixez les extrémités supérieures des traverses inférieures du petit toit 1 (A3) et des traverses inférieures du petit toit 2 (F3) au raccord du petit toit (G3) à l'aide des écrous à capuchon (KK) et des rondelles plates (BB). Vissez le crochet du lustre (J3) au raccord du petit toit (G3).

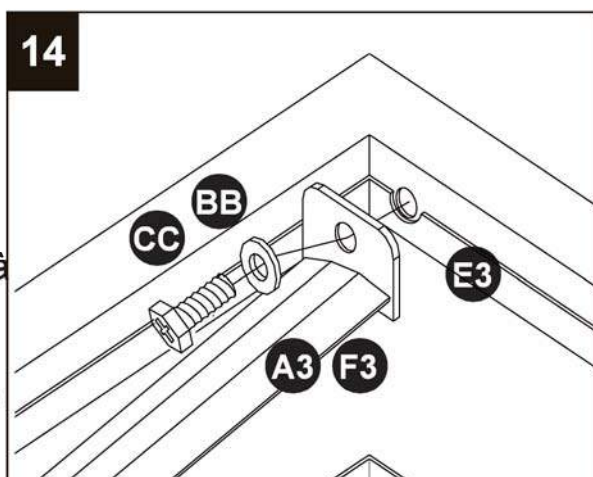


Hardware Used

BB M6 Flat Washer  x 4

KK M6 Hooded Nut  x 4

14. Fixez les extrémités inférieures des traverses inférieures du petit toit 1 (A3) et des traverses inférieures du petit toit 2 (F3) à l'armature de raccord inférieur du petit toit (E3) à l'aide des boulons courts (CC) et des rondelles plates (BB). Serrez à l'aide de la clé (LL).



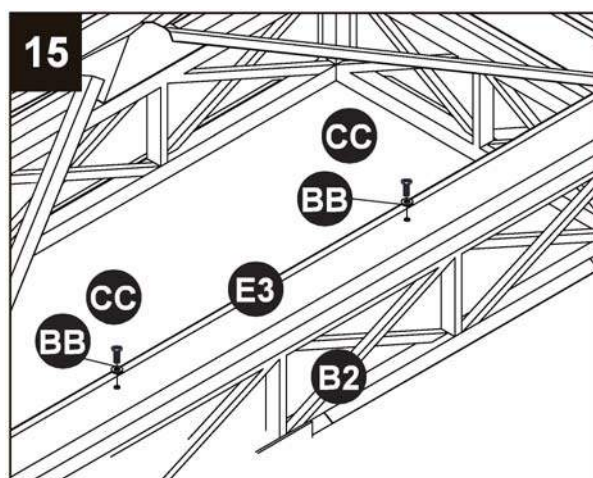
Quincaillerie utilisée

BB Rondelle plate M6  x 4

CC Boulon court M6 de 15 mm  x 4

LL Clé M6  x 1

15. Fixez le petit toit assemblé à l'armature du grand toit (B2) par l'armature de raccord du petit toit (E3) à l'aide des boulons courts (CC) et des rondelles plates (BB). Serrez à l'aide de la clé (LL).



Quincaillerie utilisée

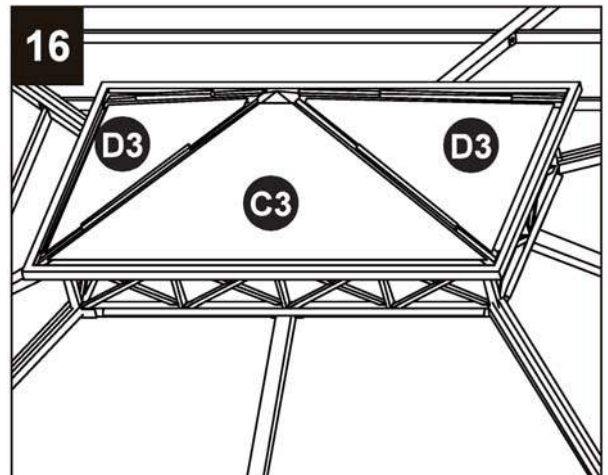
BB Rondelle plate M6  x 4

CC Boulon court M6 de 15 mm  x 4

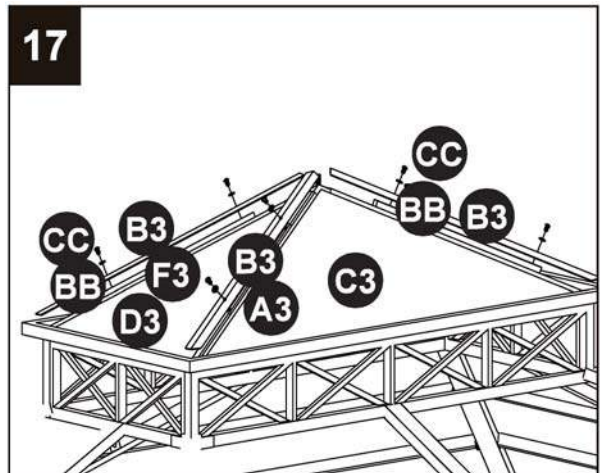
LL Clé M6  x 1

INSTRUCTIONS POUR L'ASSEMBLAGE


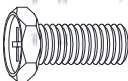

16. Placez les panneaux de toit du long côté du petit toit (C3) et les panneaux de toit du côté court du petit toit (D3) sur le petit toit.



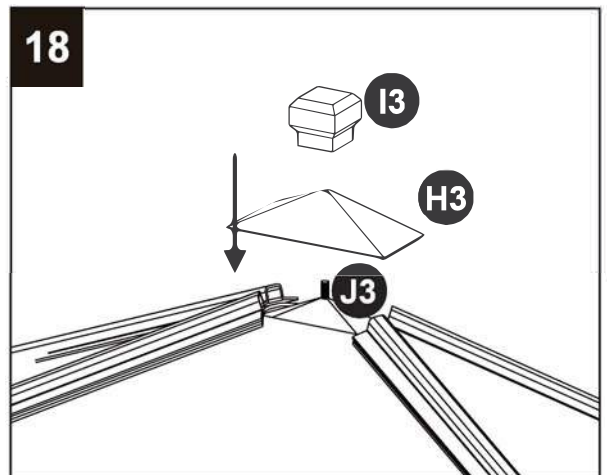
17. Fixez les revêtements du petit toit (B3) aux traverses inférieures du petit toit 1 (A3) et aux traverses inférieures du petit toit 2 (F3) à l'aide des boulons courts (CC) et des rondelles plates (BB). Serrez à l'aide de la clé (LL).



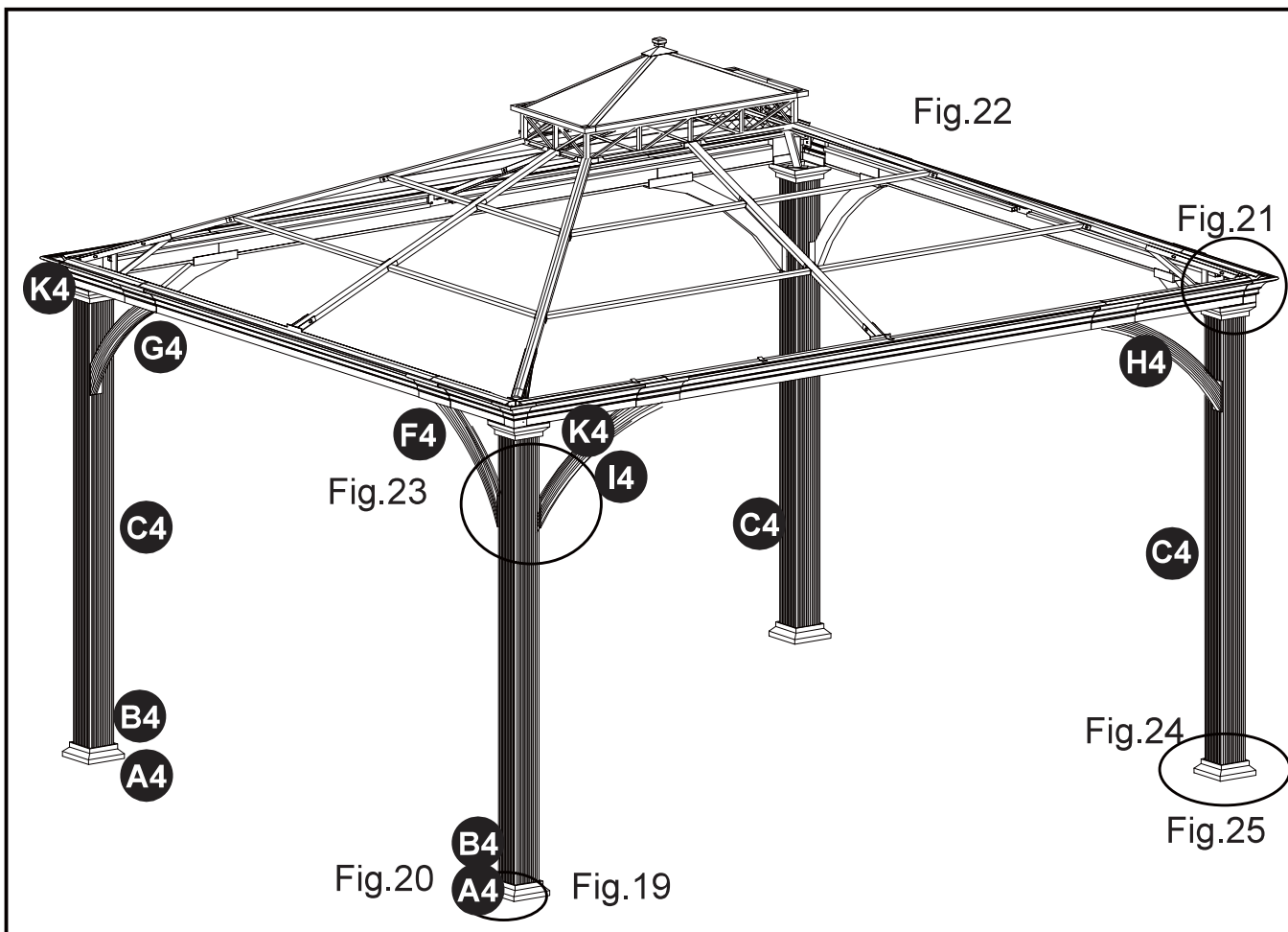
Quincaillerie utilisée

- BB** Rondelle plate M6  x 8
- CC** Boulon court M6 de 15 mm  x 8
- LL** Clé M6  x 1

18. Placez le capuchon du petit toit (H3) sur le petit toit et vissez la décoration supérieure (I3) sur l'extrémité exposée du crochet du lustre (J3).


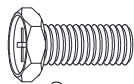
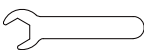


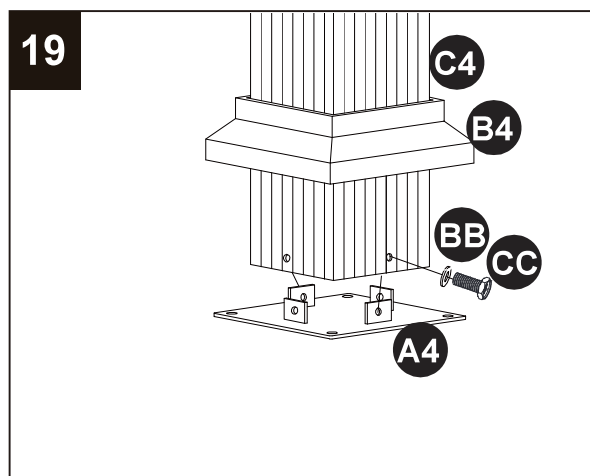
INSTRUCTIONS POUR L'ASSEMBLAGE



19. Insérez les montants (C4) dans les capuchons de pied (B4), puis installez les bases des montants (A4) dans le bas des montants (C4) à l'aide des boulons courts (CC) et des rondelles plates (BB). Serrez à l'aide de la clé (LL).

Quincaillerie utilisée

BB	Rondelle plate M6		x 8
CC	Boulon court M6 de 15 mm		x 8
LL	Clé M6		x 1



INSTRUCTIONS POUR L'ASSEMBLAGE

20. Fixez les blocs supérieurs (K4) à la partie supérieure des montants (C4) à l'aide des boulons courts (MM) et des rondelles plates (BB). Serrez à l'aide de la clé (LL)

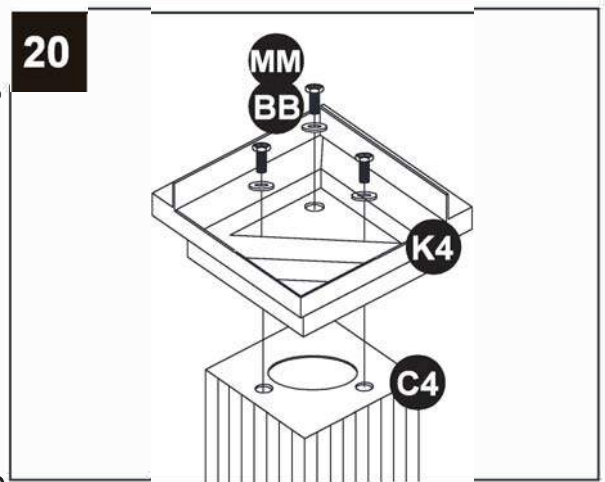
Remarque : Les trous de vis sur les montants et les trous de vis sur les plaques des blocs doivent être alignés conformément à l'illustration afin d'assurer un raccord solide.

Quincaillerie utilisée

BB Rondelle plate M6  x 12

MM Boulon court M6 de 20 mm  x 12

Z1 Clé M6  x 1



21. Soulevez le toit assemblé et fixez les montants assemblés aux coins du toit à l'aide des boulons courts (MM) et des rondelles plates (BB) et des washer springs (OO). Serrez à l'aide de la clé (LL). **Remarque :** Cet article est lourd. Il est recommandé d'assembler cet article avec l'aide de six à huit personnes pour un assemblage en toute sécurité.

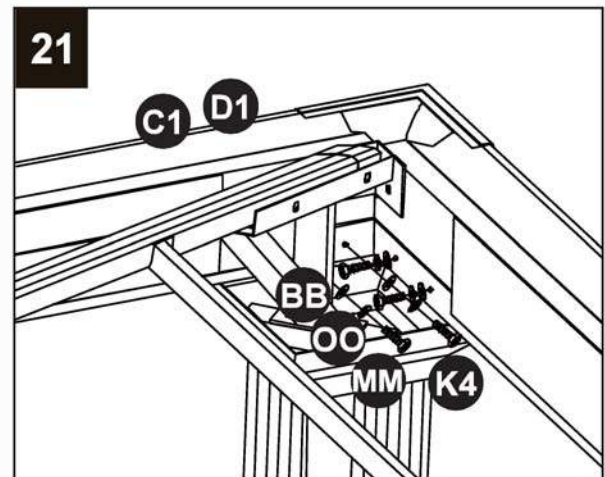
Quincaillerie utilisée

BB Rondelle plate M6  x 16

MM Boulon court M6 de 20 mm  x 16

OO Rondelle à ressort M6  x 16

LL Clé M6  x 1



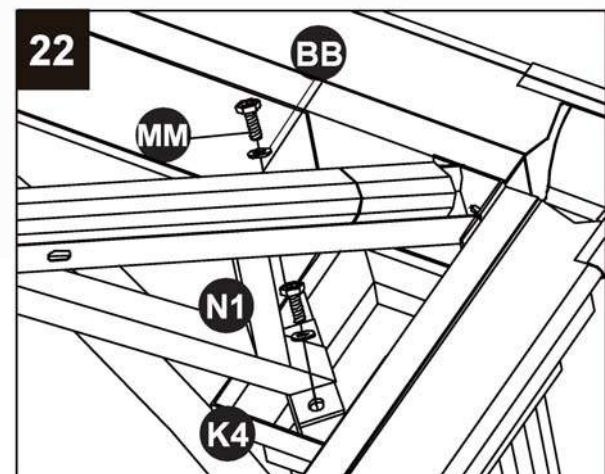
22. Fixez les raccords de coin (N1) aux blocs supérieurs (K4) à l'aide des boulons courts (MM) et des rondelles plates (BB). Serrez à l'aide de la clé (LL).

Quincaillerie utilisée

BB Rondelle plate M6  x 8

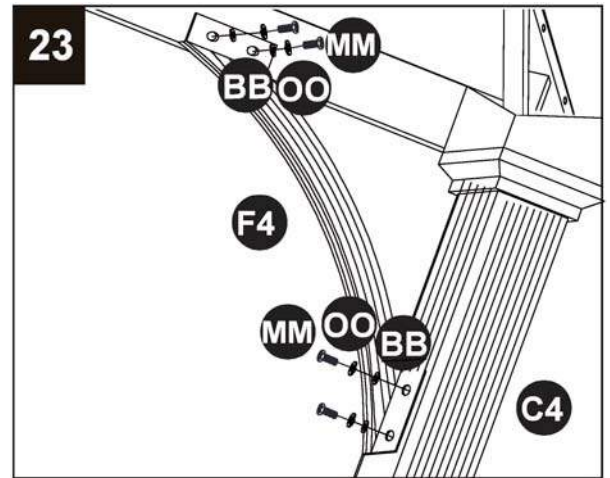
MM Boulon court M6 de 20 mm  x 8

LL Clé M6  x 1



INSTRUCTIONS POUR L'ASSEMBLAGE

23. Fixez les extrémités supérieures de l'arche de soutien court de droite (F4) aux gouttières décoratives et l'autre extrémité aux montants (C4) à l'aide des boulons courts (MM) et des rondelles plates (BB) et des washer springs (OO). Serrez à l'aide de la clé (LL). Répétez cette étape pour toutes les autres arches de soutien (G4, H4, I4)





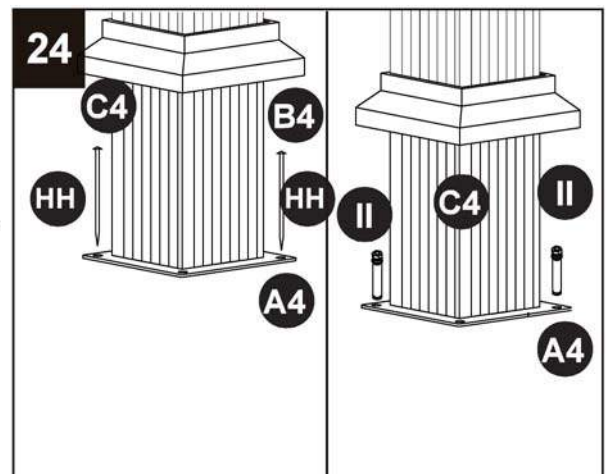
Quincaillerie utilisée

- BB** Rondelle plate M6  x 32
- MM** Boulon court M6 de 20 mm  x 32
- OO** Rondelle à ressort  x 32
- LL** Clé M6  x 1

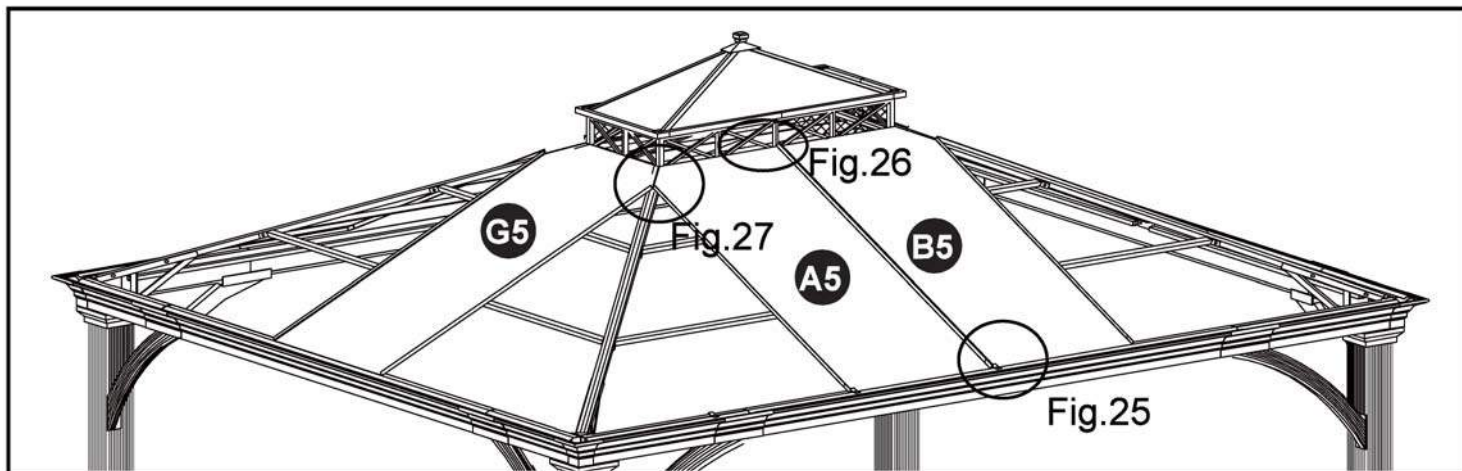
24. Fixez le pavillon de jardin assemblé à l'aide des piquets (HH) ou des chevilles d'ancrage (II) selon la surface.

Quincaillerie utilisée

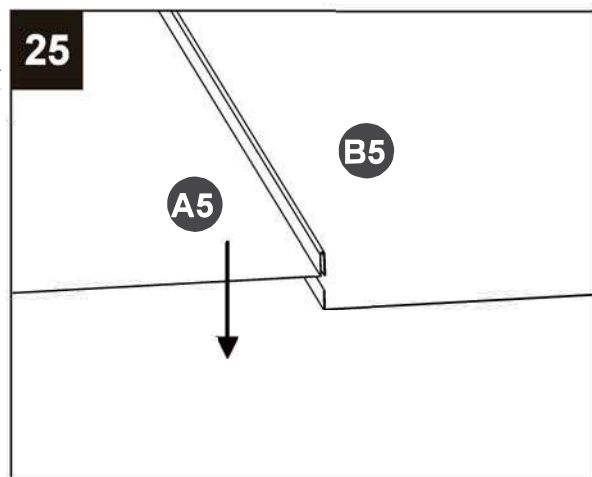
- HH** Piquet  x 8
 $\varnothing 8 \times 180 \text{ mm}$
- II** Cheville d'ancrage M6  x 8
 $\times 80 \text{ mm}$



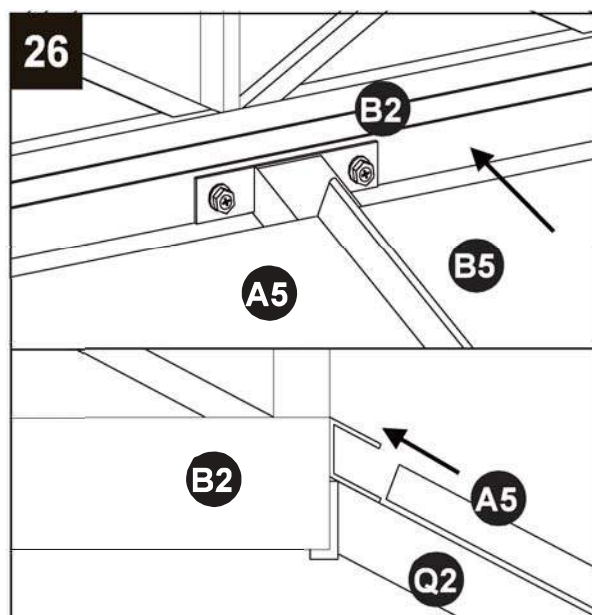
INSTRUCTIONS POUR L'ASSEMBLAGE



25. Appuyez les longs panneaux gauches du grand toit (A5) sur les longs panneaux droits du grand toit (B5).

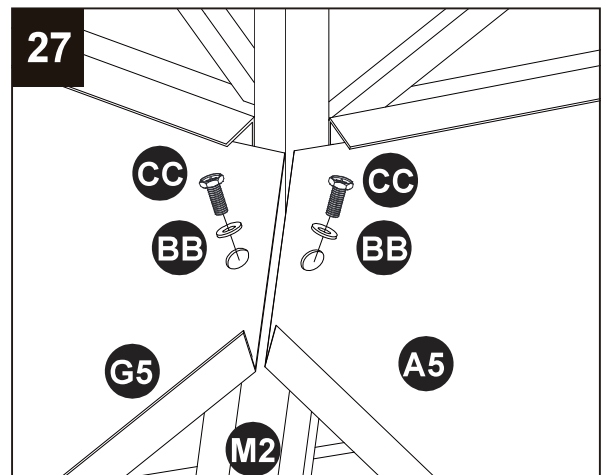


26. Insérez chaque ensemble de l'étape précédente dans les rainures en U de chaque côté de l'armature du grand toit (B2). Répétez cette étape pour le panneau court du grand toit (G5).


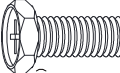
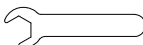


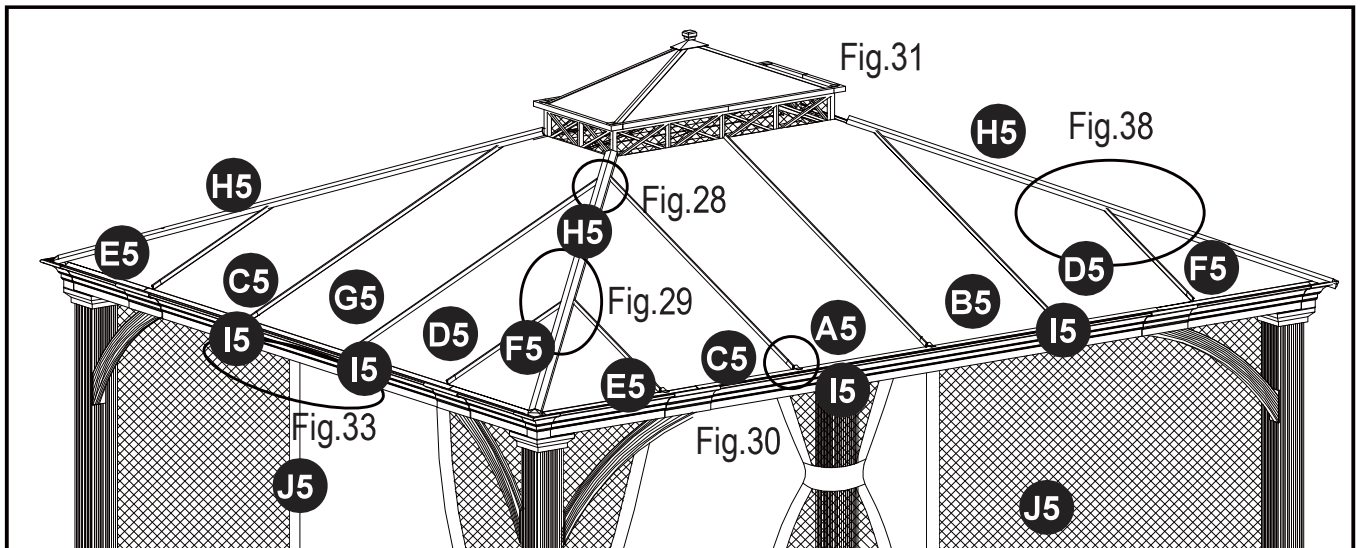
INSTRUCTIONS POUR L'ASSEMBLAGE

27. Fixez les longs panneaux gauches du grand toit (A5) et les panneaux courts du grand toit (G5) aux barres inclinées supérieures (M2) à l'aide des boulons courts (CC) et des rondelles plates (BB). Serrez à l'aide de la clé (LL).

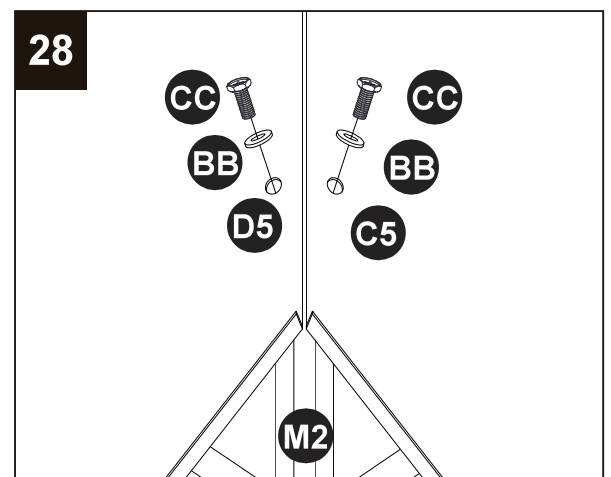


Quincaillerie utilisée


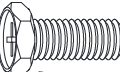
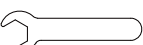
- BB** Rondelle plate M6  x 8
- CC** Boulon court M6 de 15 mm  x 8
- LL** Clé M6  x 1



28. Fixez les panneaux centraux droits du grand toit (D5) et les panneaux centraux gauches du grand toit (C5) aux barres inclinées (M2) à l'aide des boulons courts (CC) et des rondelles plates (BB). Serrez à l'aide de la clé (LL).



Quincaillerie utilisée

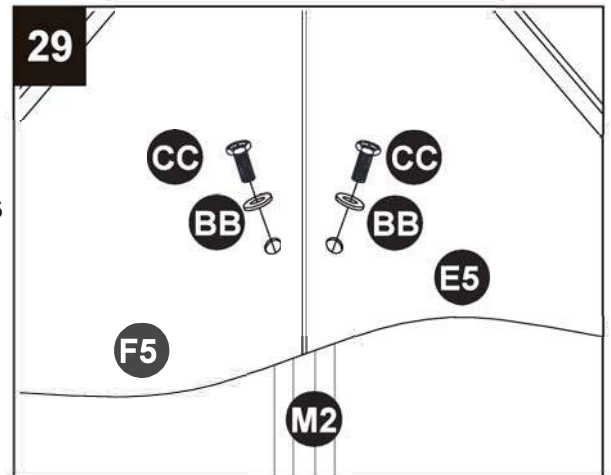
- BB** Rondelle plate M6  x 8
- CC** Boulon court M6 de 15 mm  x 8
- LL** Clé M6  x 1

INSTRUCTIONS POUR L'ASSEMBLAGE

29. Fixez les petits panneaux centraux droits du grand toit (F5) et les petits panneaux gauches du grand toit (E5) aux barres inclinées supérieures (M2) à l'aide des boulons courts (CC) et des rondelles plates (BB). Serrez à l'aide de la clé (LL).


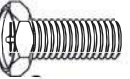

Quincaillerie utilisée

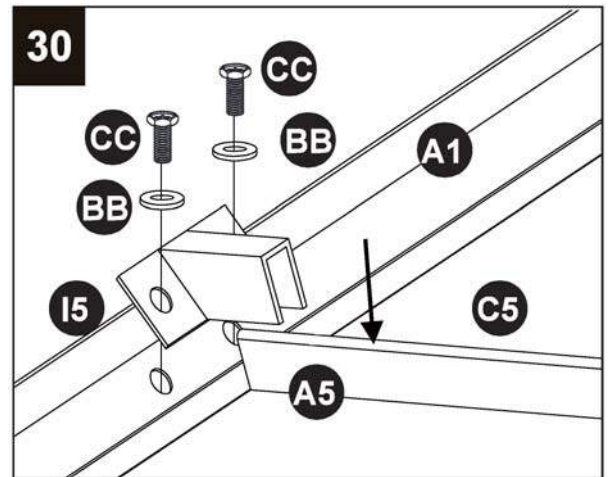
- BB** Rondelle plate M6  x 8
- CC** Boulon court M6 de 15 mm  x 8
- LL** Clé M6  x 1



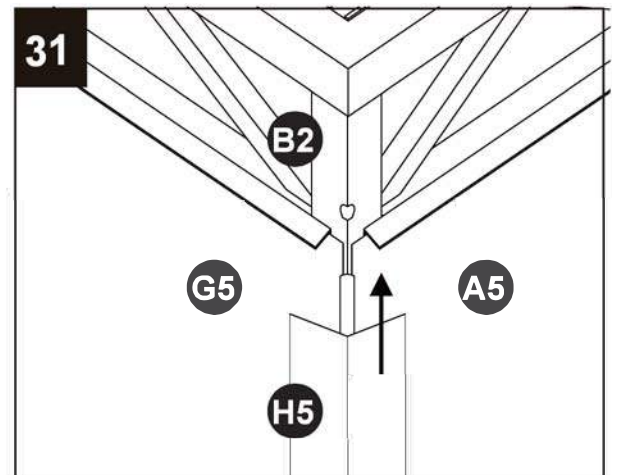
30. Appuyez sur les panneaux du toit sur la plaque pressée du toit (I5) et fixez la plaque pressée du toit (I5) aux traverses décoratives à l'aide des boulons courts (CC) et des rondelles plates (BB). Serrez à l'aide de la clé (LL).

Quincaillerie utilisée

- BB** Rondelle plate M6  x 36
- CC** Boulon court M6 de 15 mm  x 36
- LL** Clé M6  x 1




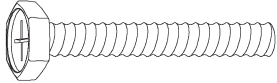
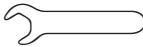
31. Insérez les extrémités supérieures des panneaux du toit (H5) dans chaque trou de coin de l'armature du petit toit (B2).

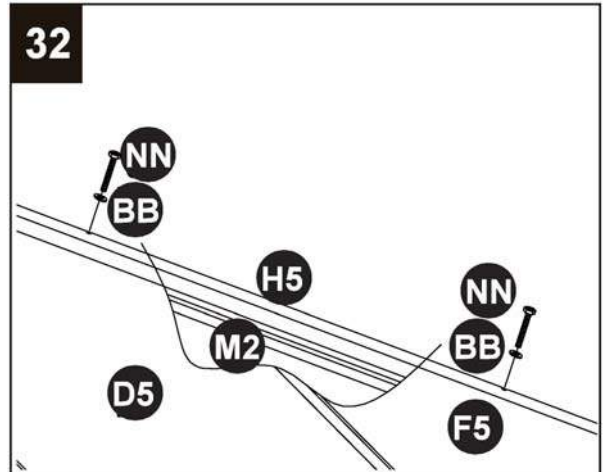


INSTRUCTIONS POUR L'ASSEMBLAGE

32. Fixez le panneau supérieur (H5) aux barres inclinées supérieures (M2) à l'aide des boulons longs (NN) et des rondelles plates (BB). Serrez à l'aide de la clé (LL).

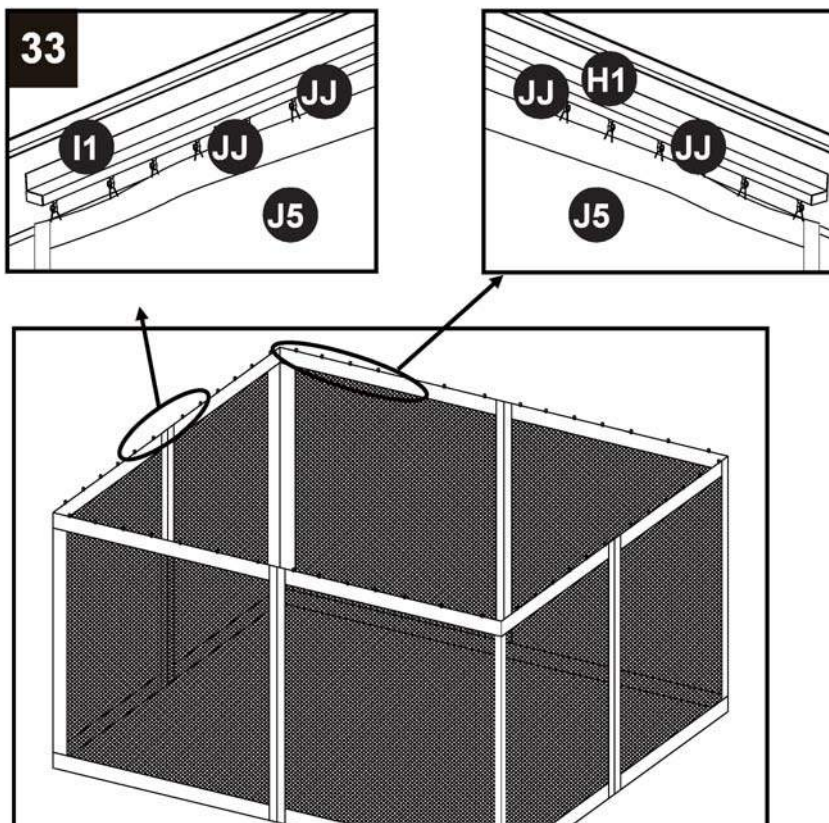
Quincaillerie utilisée

BB	Rondelle plate		x 8
NN	Boulon longue M6 de 40 mm		x 8
LL	Clé M6		x 1



33. Suspendez la moustiquaire (J5) sur les longs tubes de moustiquaire (H1) et les tubes courts de moustiquaire (I1) à l'aide des crochets (JJ).

Remarque : Veuillez garder la moustiquaire avec courroie préassemblée à l'extérieur. Tenez compte des dimensions de l'article afin de vous assurer d'installer la moustiquaire (J5) correctement. Fixez 6 crochets aux tubes courts (I1) et 7 crochets aux longs tubes (H1).



ENTRETIEN

- Les pièces en acier de ce pavillon de jardin sont traitées avec une peinture antirouille. Toutefois, en raison de la nature de l'acier, une oxydation de la surface (rouille) peut se produire si cette couche protectrice est égratignée. La garantie ne couvre pas ce problème puisqu'il ne s'agit pas d'un défaut.

Afin de minimiser cette situation, nous recommandons d'être prudent lors de l'assemblage et de la manipulation de l'article afin d'éviter les égratignures sur la peinture. En cas d'égratignure ou de dommage, il est recommandé d'effectuer immédiatement une retouche sur l'article à l'aide de peinture antirouille.

On peut facilement enlever la rouille de surface en appliquant un peu d'huile de cuisson. Si une oxydation de la surface se produit et qu'aucune mesure n'est prise afin de corriger la situation, la rouille pourrait couler sur la terrasse et causer des taches dommageables qui peuvent être difficiles à enlever. Cela peut être évité si les mesures mentionnées ci-dessus sont prises pour empêcher l'oxydation de l'article.

- N'utilisez pas d'agent de blanchiment ou d'autres nettoyants abrasifs sur le toit ou sur les pièces formant l'armature.
- Veuillez conserver le présent guide pour référence ultérieure.
- Conservez l'emballage d'origine pour ranger le pavillon de jardin.

GARANTIE LIMITÉE DE UN AN

La garantie limitée ne s'applique qu'à l'acheteur initial du produit et se limite aux défauts de matériaux et de fabrication lorsque le produit a été correctement entretenu et qu'il a été utilisé à des fins personnelles et résidentielles.

Le fabricant garantit ce produit contre les défauts de matériaux et de fabrication pour une période de un an. Si vous remarquez un défaut, veuillez téléphoner à notre service à la clientèle au Le fabricant ne paiera pas les frais de transport et de manutention et ne dédommagera pas l'acheteur ni aucun tiers pour l'assemblage ou le démontage de l'article. Cette garantie vous confère des droits précis. Il est possible que vous disposiez également d'autres droits, qui varient d'un État ou d'une province à l'autre.

LISTE DES PIÈCES DE RECHANGE

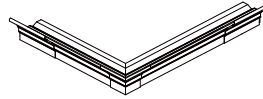
Y1



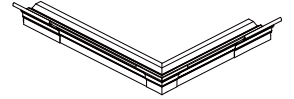
Y2



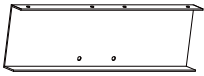
C1



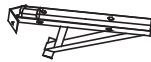
D1



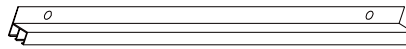
F1



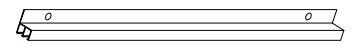
N1



H1



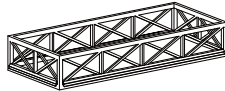
I1



M2



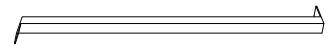
B2



Q2



R2



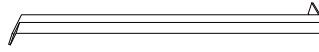
S2



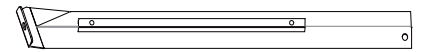
N2



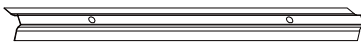
P2



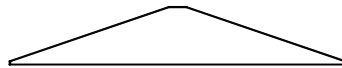
A3



B3



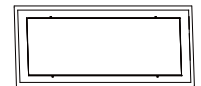
C3



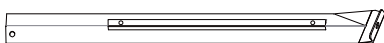
D3



E3



F3



G3



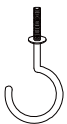
H3



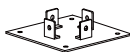
I3



J3



A4



B4



C4



K4



F4



G4



H4

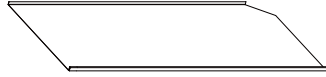


LISTE DES PIÈCES DE RECHANGE

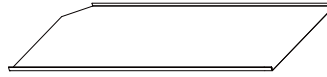
I4



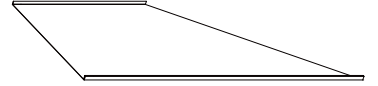
A5



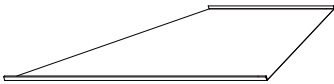
B5



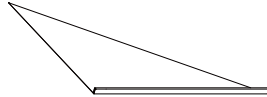
C5



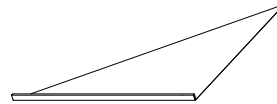
D5



E5



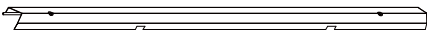
F5



G5



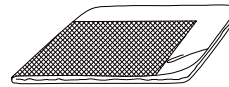
H5



I5

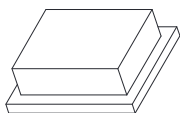


J5



LISTE DES PIÈCES DE RECHANGE

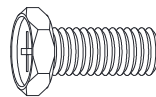
AA



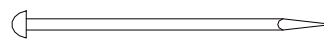
BB



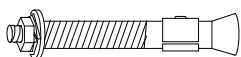
CC



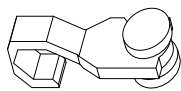
HH



II



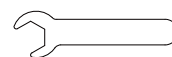
JJ



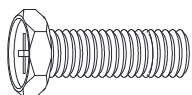
KK



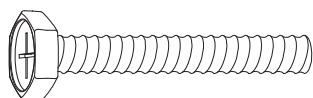
LL



MM



NN



OO



LISTE DES PIÈCES DE RECHANGE

PIÈCE	DESCRIPTION	PIÈCE#
Y1	Gouttière décorative longue	P005600183
Y2	Gouttière décorative courte	P005600182
C1	Gouttière décorative en coin 1	P005600184
D1	Gouttière décorative en coin 2	P005600185
F1	Raccord de gouttière décorative	P000500781
N1	Raccord de coin	P000500780
H1	Tube de moustiquaire long	P005700284
I1	Tube de moustiquaire court	P005700285
M2	Barre inclinée supérieure	P000600964
B2	Armature du grand toit	P000500779
Q2	Poutrelle centrale	P000600963
R2	Longue traverse de soutien du long cote du grand toit	P000600968
N2	Longue traverse de soutien du cote court du grand toit	P000600967
S2	Traverse de soutien courte du long cote du grand toit	P000600966
P2	Traverse de soutien courte du cote court du grand toit	P000600965
A3	Traverse inferieure du petit toit 1	P000600961
B3	Revetement du petit toit	P000700384
C3	Panneau du cote long du petit toit	P000700386
D3	Panneau du cote court du petit toit	P000700385
E3	Armature de raccord inferieure du petit toit	P000500778
F3	Traverse inferieure du petit toit 2	P000600962
G3	Raccord du petit toit	P000500777
H3	Capuchon du petit toit	P000700383
I3	Decoration superieure	P005600181
J3	Crochet du lustre	P005800129
A4	Base du montant	P000100190
B4	Capuchon de pied	P006100119
C4	Montant	P000200310

LISTE DES PIÈCES DE RECHANGE

PIÈCE	DESCRIPTION	PIÈCE#
K4	Bloc supérieur	P000300035
F4	Arche de soutien court de droite	P005000258
G4	Arche de soutien court de gauche	P005000259
H4	Arche de soutien long de droite	P005000260
I4	Arche de soutien long de gauche	P005000261
A5	Long panneau gauche du grand toit	P000700388
B5	Long panneau droit du grand toit	P000700389
C5	Long panneau central gauche du grand toit	P000700391
D5	Long panneau central droit du grand toit	P000700390
E5	Petit panneau gauche du grand toit	P000700392
F5	Petit panneau droit du grand toit	P000700393
G5	Panneau court du grand toit	P000700387
H5	Capuchon supérieur	P000800166
I5	Plaque pressée du toit	P002200126
J5	Moustiquaire	P001200194
AA	Capuchon en plastique	H040040001
BB	Rondelle plate M6	H050030001
CC	Boulon court M6 de 15 mm	H010020011
HH	Piquet $\varnothing 8 \times 180$ mm	H070010003
II	Cheville d'ancrage M6 x 80 mm	H010100006
JJ	Crochet	P008100010
KK	Écrou à capuchon M6	P005100281
LL	Clé M6	H090010017
MM	Boulon court M6 de 20 mm	H010020012
NN	Boulon court M6 de 40 mm	H010020022
OO	Rondelle à ressort M6	H050020017

Care and Maintenance

- Our steel components for garden accessories and furniture are treated with rust inhibiting paint that protects it from rusting. However, due to the nature of steel, surface oxidation (rusting) will occur once these protective coatings are scratched. This is not a defect and thus not covered by the warranty.
- To minimize this condition, we recommend care when assembling & handling the product to prevent scratching the paint. Should any scratching or damage occur, we recommend immediate touch-up with rust inhibiting paint.
- Surface rust can also be easily removed with a very light application of common cooking oil. If surface oxidation (rusting) occurs and if no measure is taken to prevent this, the oxidation may start dripping on to deck or patio and caused damaging stains, which may be difficult to remove. This can be prevented if the above-mentioned measures are taken to keep the product from oxidizing.
- Use damp cloth to wipe off the stains as quickly as possible.
- If necessary, wash with a mild solution of soap and water; rinse thoroughly and dry completely.
- Periodically check and ensure that all bolts are well-tighten during use

Limited Manufacturer's Warranty

Sunjoy Group warrants to the original purchaser that this item is free from defects in workmanship and materials for a period of **1 year** from the date of purchase, provided the item was factory-sealed at the time of purchase and is maintained with care and used only for personal, residential purposes. Should any manufacturing defect arise within this warranty period, Sunjoy Group will replace (at our option) any defective merchandise or parts upon proof of purchase; however, transportation and delivery costs, as well as payments to a third party for assembly or disassembly of the item, remain the responsibility of the purchaser. A purchaser of an "open box," previously-returned, or "clearance" item, as well as original purchasers outside of the warranty period, may obtain replacement parts from Sunjoy Group for products in current production, at nominal cost.

Exclusions:

Items used for commercial, contract, or other non-residential purposes, or items damaged due to acts of nature, vandalism, misuse, or improper assembly are not covered. Corrosion or rusting of hardware is not covered. Proof of purchase (dated register receipt) is required for warranty claims. Warranty is to the original purchaser and is non-transferable. Any replacement of warranted items will be in the original style and color, or a similar style and color if the original is unavailable or has been discontinued. As some states do not allow exclusions or limitations on an implied warranty, the above exclusions and limitations may not apply. This warranty gives you specific rights, and you may also have other rights, which vary from state to state.

Entretien

- Les composants en acier de nos meubles et accessoires de jardin sont traités avec une peinture antirouille qui les protège. Toutefois, en raison de la nature de l'acier, une oxydation de la surface (rouille) se produira si ces revêtements protecteurs sont égratignés. La garantie ne couvre pas ce phénomène puisqu'il ne s'agit pas d'un défaut.
- Afin de minimiser cette situation, nous recommandons d'être prudent lors de l'assemblage et de la manipulation du produit afin d'éviter d'égratigner la peinture. En cas d'égratignure ou de dommage, nous recommandons d'effectuer immédiatement une retouche avec une peinture antirouille.
- La rouille de surface peut facilement être retirée à l'aide d'une petite quantité d'huile de cuisson. Si une oxydation (rouille) de la surface se produit et qu'aucune mesure n'est prise pour corriger la situation, la rouille pourrait couler sur la terrasse et causer des taches dommageables qui peuvent être difficiles à enlever. Cela peut être évité si les mesures mentionnées ci-dessus sont prises pour empêcher l'oxydation du produit.
- Utilisez un linge humide pour essuyer les taches le plus rapidement possible.
- Au besoin, nettoyez le produit avec une solution d'eau et de savon doux, rincez-le abondamment et séchez-le complètement.
- Vérifiez périodiquement pour vous assurer que tous les écrous sont bien serrés pendant l'utilisation.

Garantie limitée du fabricant

Sunjoy Group garantit à l'acheteur initial que ce produit ne présentera aucun défaut de fabrication et de matériaux pendant une période de un an à compter de la date de l'achat si le produit a été acheté dans son emballage scellé à l'usine, et s'il a été entretenu correctement et utilisé à des fins personnelles et résidentielles seulement. Si le produit présente un défaut de fabrication pendant cette période de garantie, Sunjoy Group remplacera (à sa discrétion) toute marchandise ou pièce défectueuse sur présentation d'une preuve d'achat. Toutefois, les frais de transport et de manutention, ainsi que les paiements versés à un tiers pour l'assemblage ou le démontage du produit, demeurent la responsabilité de l'acheteur. Les acheteurs de produits avec « boîte ouverte », précédemment retournés ou « en liquidation », ainsi que les acheteurs initiaux de produits dont la période de garantie est terminée, peuvent obtenir des pièces de rechange auprès de Sunjoy Group pour des produits actuellement en production, à peu de frais.

Exclusions:

les articles utilisés à des fins commerciales, locatives ou non résidentielles et les articles endommagés par des phénomènes naturels, des actes de vandalisme, un usage inapproprié ou un assemblage inadéquat ne sont pas couverts. La corrosion et la rouille de la quincaillerie ne sont pas couvertes. Une preuve d'achat (une copie de votre reçu daté) doit être présentée avec toute réclamation au titre de la garantie. La garantie n'est accordée qu'à l'acheteur initial et est non transférable. Si l'article original n'est plus offert, il sera remplacé par un article d'une couleur et d'un style similaires. Certains États ou certaines provinces ne permettent pas l'exclusion ou la limitation d'une garantie implicite, de sorte que les limitations et exclusions mentionnées ci-dessus peuvent ne pas s'appliquer à vous. Cette garantie vous confère des droits précis. Il est possible que vous disposiez également d'autres droits, qui varient d'un État ou d'une province à l'autre.