

Dassault 7X / 8X

Integrated Medical System

Phone: +1 (360) 225-1212
Email: solutions@lifeport.com

This document contains no technical data subject to the EAR or the ITAR

1610 Heritage Street
Woodland, WA. 98674

© 2021 LifePort



Dassault

Integrated Medical System

LifePort's integrated medical system provides a comprehensive medical suite that requires little to no aircraft modification. After the initial installation, this medical system can be installed or removed without the use of hand tools. The medical base unit and accessory arch provide redundant services, attendant access, and patient comfort that ensures the system is suitable for dedicated or multi-mission operation over extended flights.

BASE UNIT

- Oxygen drawer with 3 bottle capacity
- Oxygen shutoff at control panel
- Visual and audible low oxygen alarm
- Compressed air and suction
- Three (3) Electrical outlets
- One (1) 1600w/230VAC Inverter
- One (1) 280w/14VDC Converter
- Medical device mount
- Adjustable height IV pole

STORAGE CABINET

- Ten (10) storage drawers with removable liners
- Assembled in sections for installation
- Adjustable height IV Pole
- Blood gas analyzer mount
- Work surface with adjustable lighting and auxiliary electrical outlets

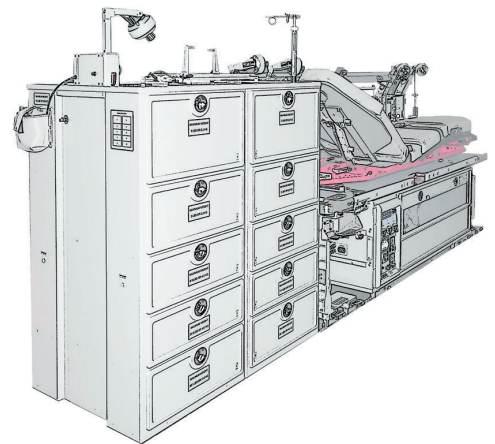
STRETCHER

- 76.8" long x 21.3" wide
(195.07 cm long x 54.10 cm wide)
- Adjustable composite backrest
- Knee lift
- 3" thick mattress

ARCH FRAME

- Rails for mounting various medical devices
- IV hooks
- Lighting with brightness and directional adjustment
- Weinmann Medumat mount
- LTV 1200 Ventilator mount
- Dual Alaris GW volumetric pump mounts
- Dual Propaq mounts
- Adjustable syringe pump mount (up to 4 pumps)
- Auxiliary gas and electrical outlets

NO-LIFT POWERED LOADING SYSTEMS AVAILABLE TO TRANSITION PATIENT IN TO AIRCRAFT



Phone: +1 (360) 225-1212
Email: solutions@lifeport.com

This document contains no technical data subject to the EAR or the ITAR

© 2021 LifePort