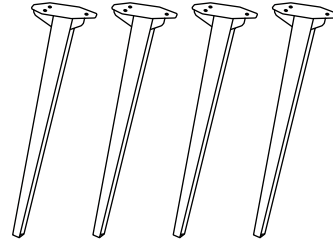


FLOYD

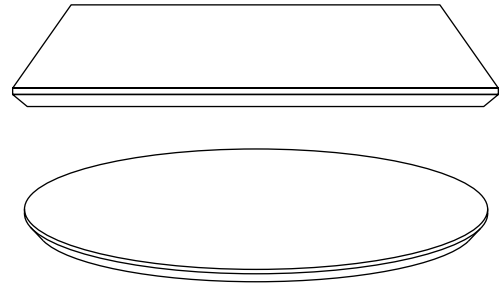
**Table
System**

Components

4x **Legs**



1x **Rectangle Table Top**
OR
Round Table Top



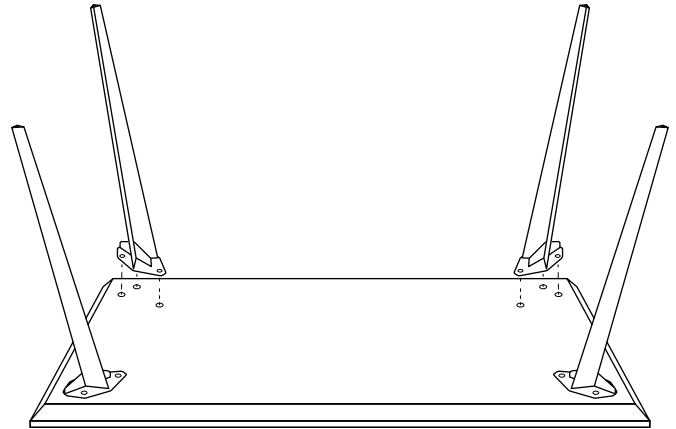
12x **Fasteners**



1

Align the legs

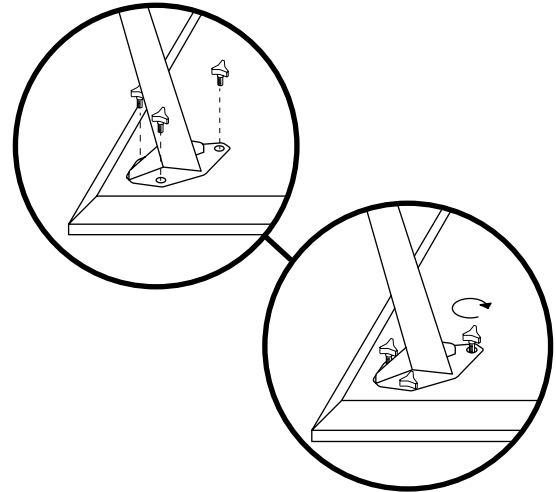
Starting with your table
top facing down (rectangle
or round), align each leg
with the pre-drilled holes.



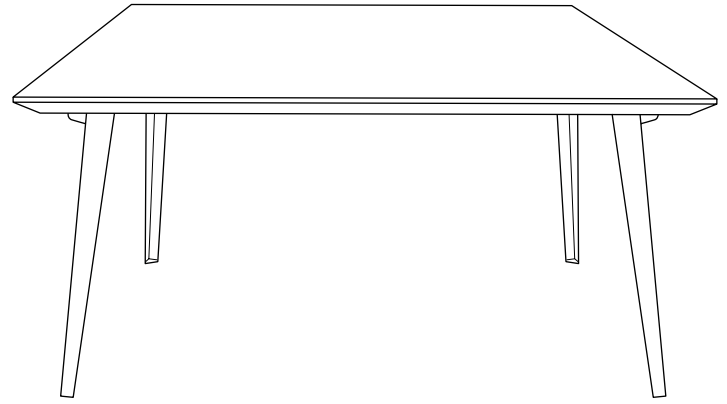
2

Secure the legs

Insert fasteners into the
three holes on each leg.
Hand-tighten each
fastener to secure the
legs to the tabletop.



3



All done

The table is heavy, we suggest asking a friend to help flip it over.

Now, don't be shy—we'd love to see your table's new home!

**@floyddetroit
#thefloydtable**



⚠ WARNING

ASSEMBLY:

Use extra caution when assembling and have someone assist you. Do not change the specifications or modify this product or use for any other purpose beyond it's intended use as a table. Incorrect assembly can cause product to fail and cause personal injury. Double check that all fasteners are tightened before use. Use caution and have someone assist you when flipping over the Table.

USAGE:

Remove all packaging before first use. Check periodically that all fasteners are securely tightened. Be aware that fasteners may become loose with prolonged use. Do not drag the legs on floor. The legs and Tabletop are only intended for use as shown with The Floyd Table. The Table is only meant for use indoors. Do not load the Table with more than 150 lbs. Sitting, standing or leaning on product may cause risk or personal injury. Inspect fasteners and metal legs regularly. Replace if fasteners are damaged, or if metal parts are worn, rusted, bent, deformed or damaged. Do not attempt to detach legs while table is upright/standing. Do not attempt to move or flip the table over without assistance. Failure to observe recommended practices such as loading beyond capacities can result in unsafe usage conditions and product damage or personal injury.

CHILDREN:

Excercise caution when children are near or using table. Do not allow children to loosen, remove, or play with the fasteners or metal legs. Do not allow children to climb on, sit or stand on top of, or play underneath the Table. Keep all packaging and parts away from children. There is a risk of choking and suffocation.

CONTACT

Have a question,
comment, or suggestion?
Just want to say hi?

hello@floydhome.com

FLOYDHOME.COM

Visit the Floyd Shop

The Floyd Shop
1948 Division St. Suite 101
Detroit, MI 48207

FLOYD

FLOYDHOME.COM