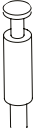




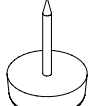

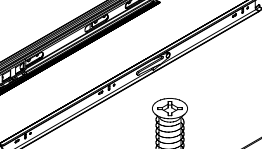


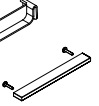
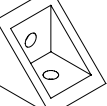
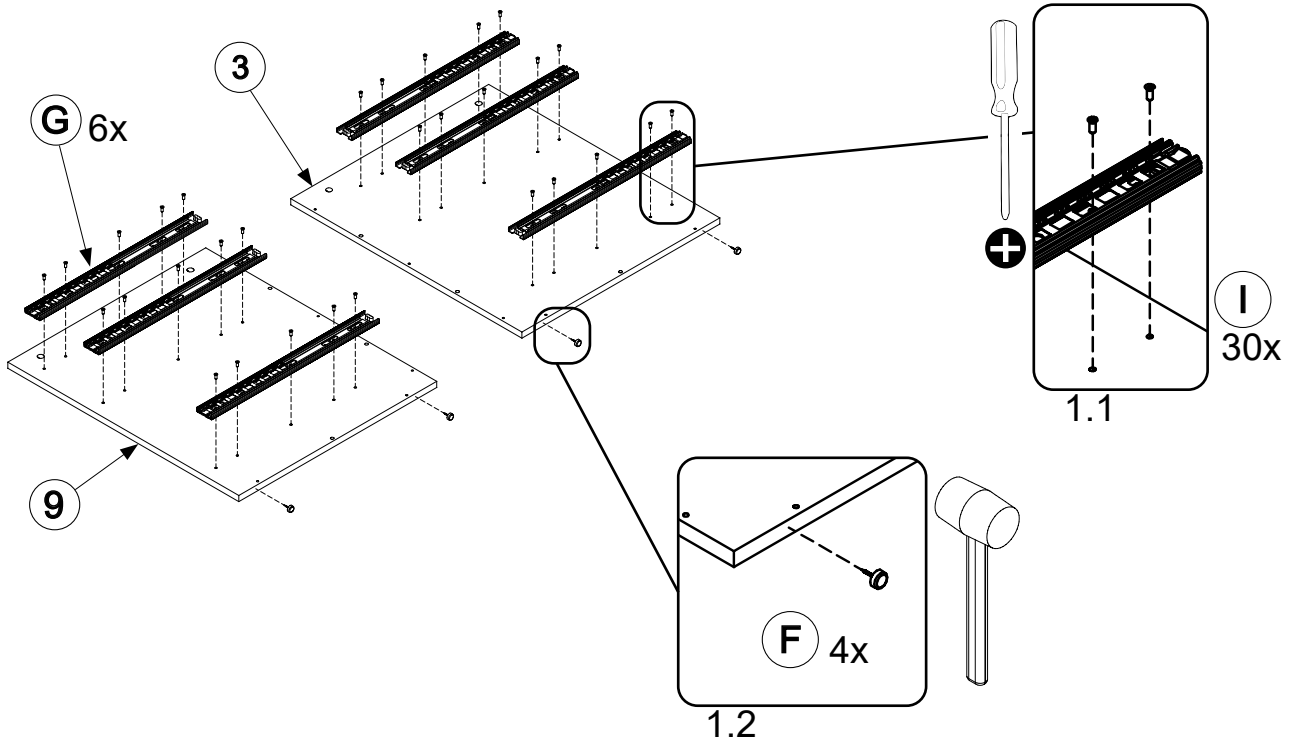
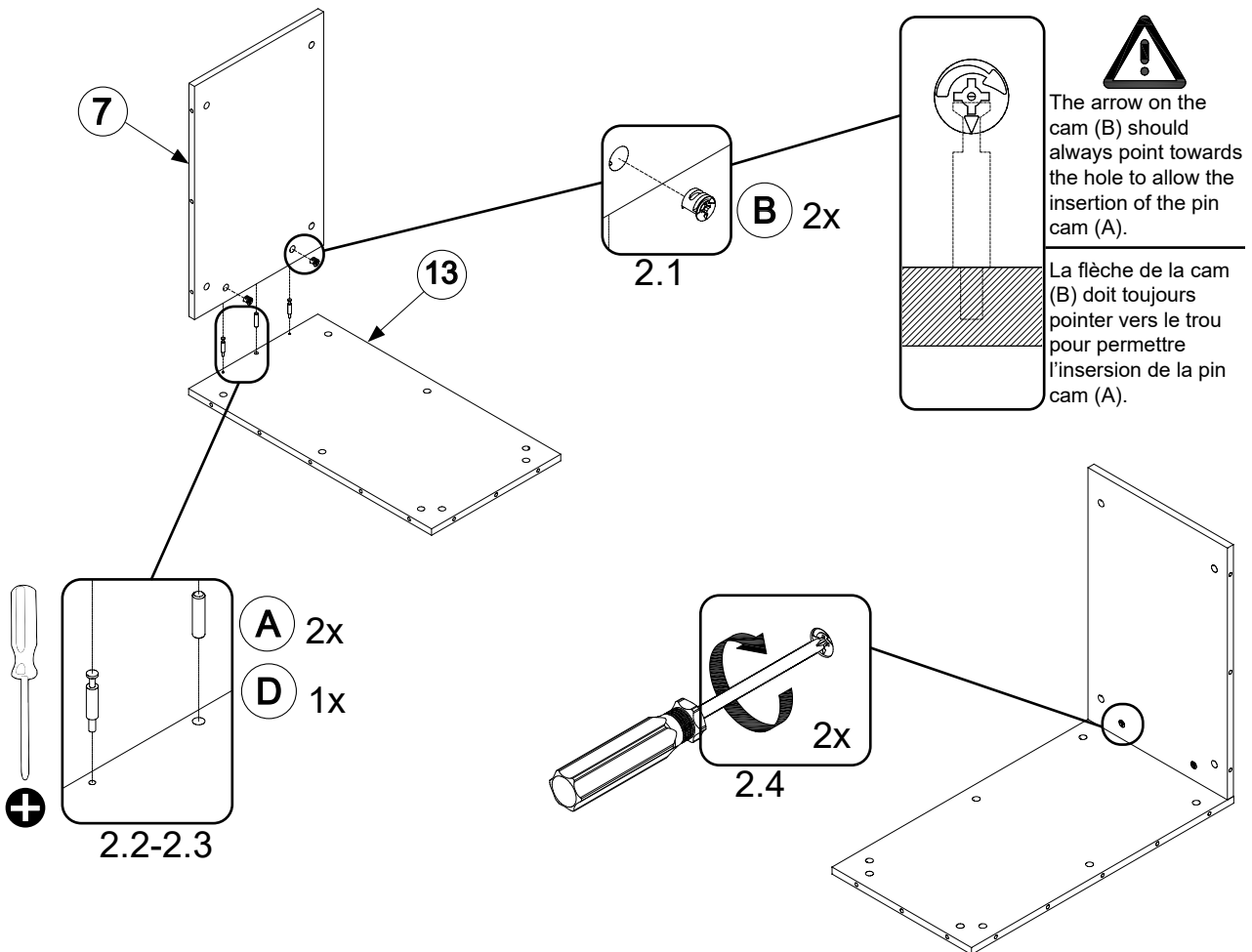


- | | | | | | | | | | | | |
|---|---|---|---|---|---|---|--|---|---|---|---|
|  |  |  |  |  |  |  |  |  |  |  |  |
| 42x | 42x | 42x | 22x | 34x | 4x | 6x | 6x | 30x | 1x | 3x | 8x |
| A | B | C | D | E | F | G | H | I | J | K | L |

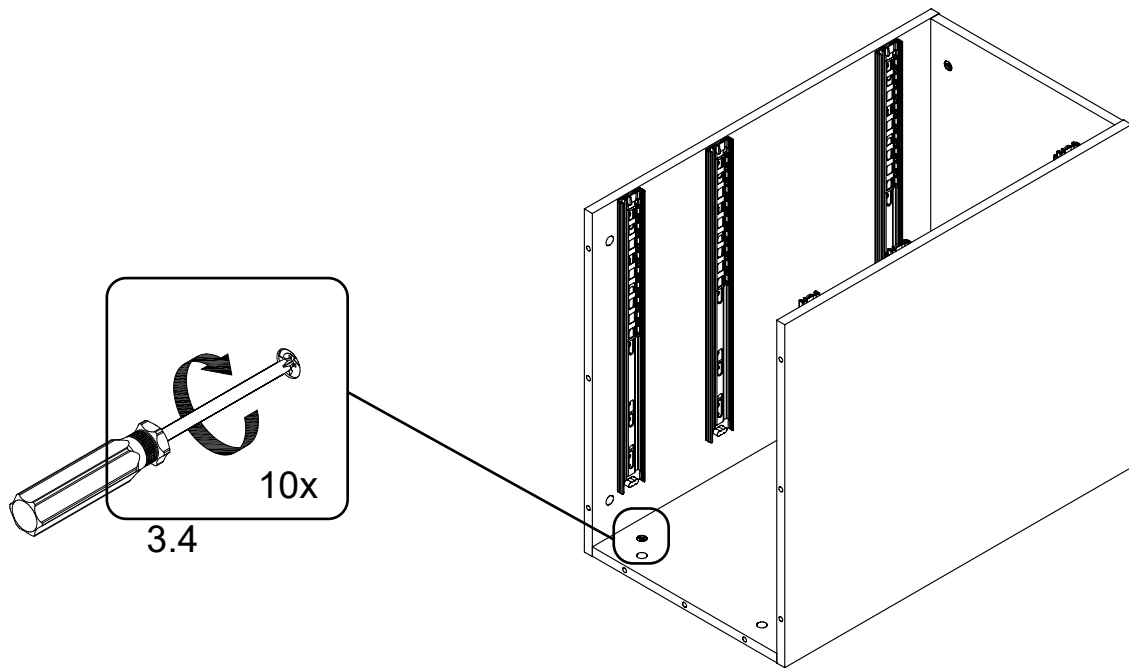
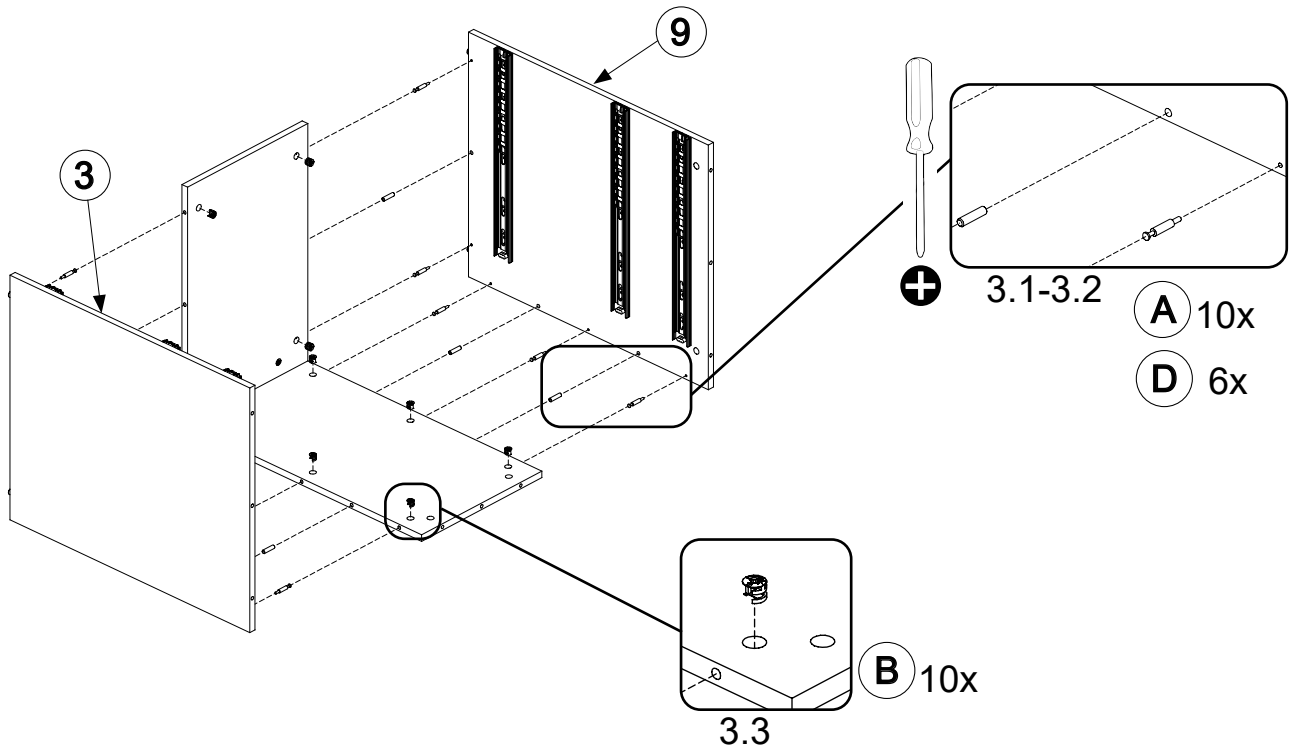
1 (1.1-1.2)



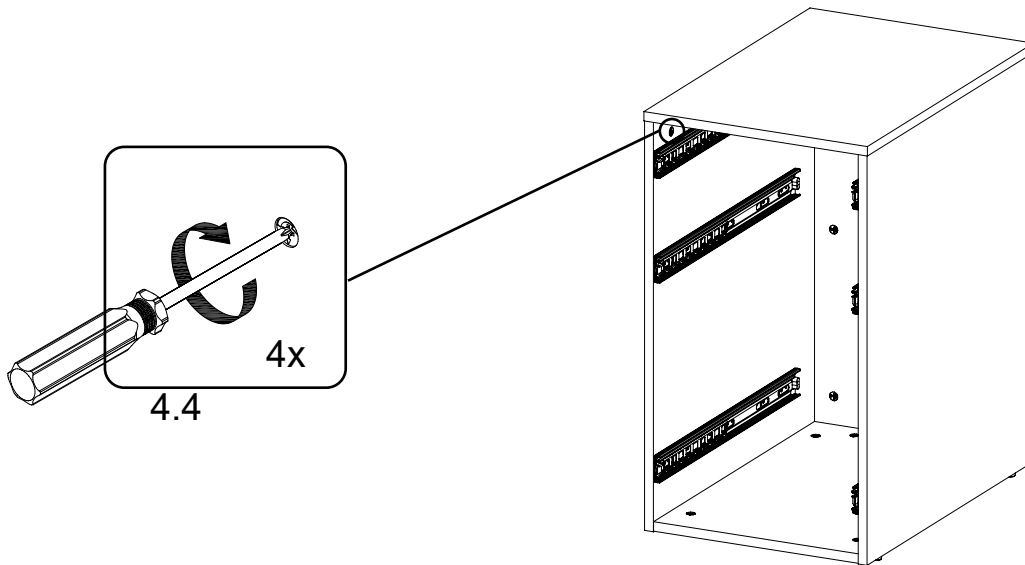
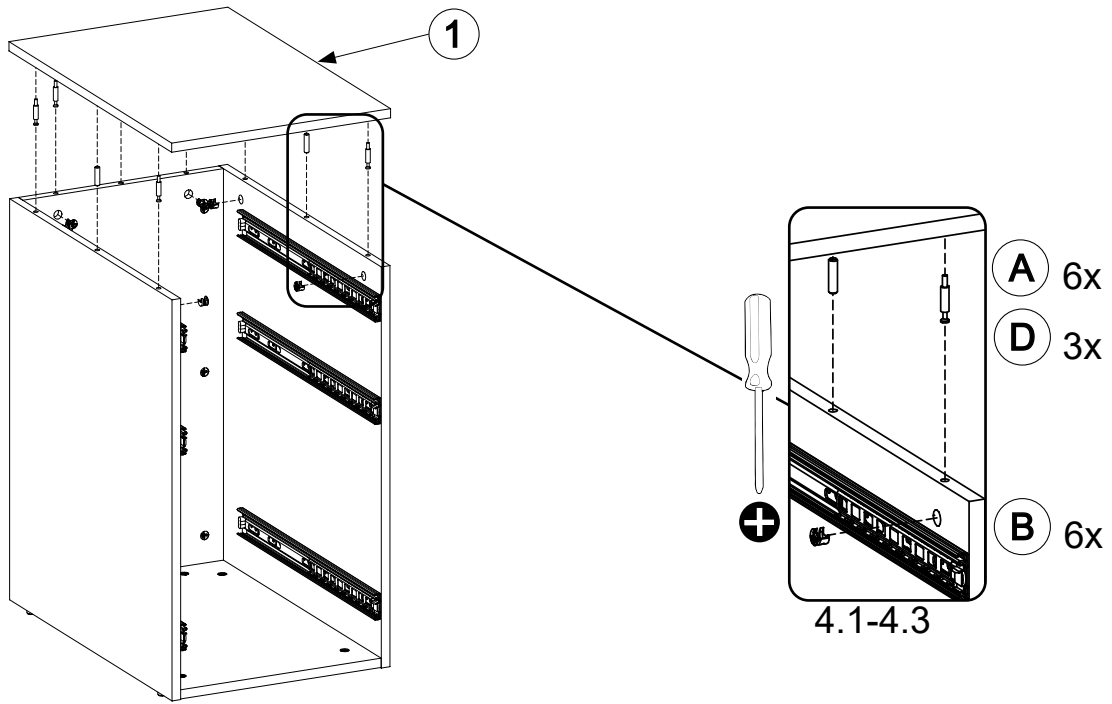
2 (2.1-2.4)



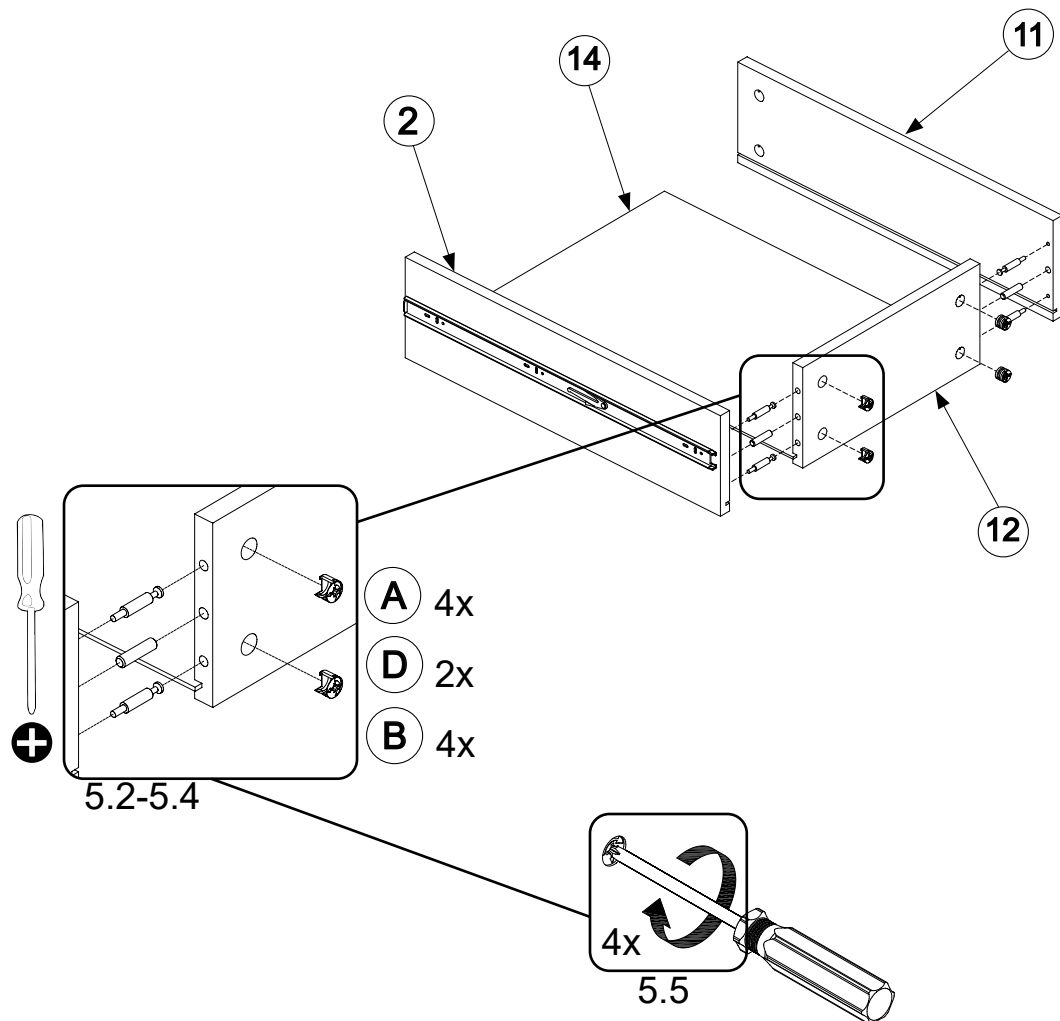
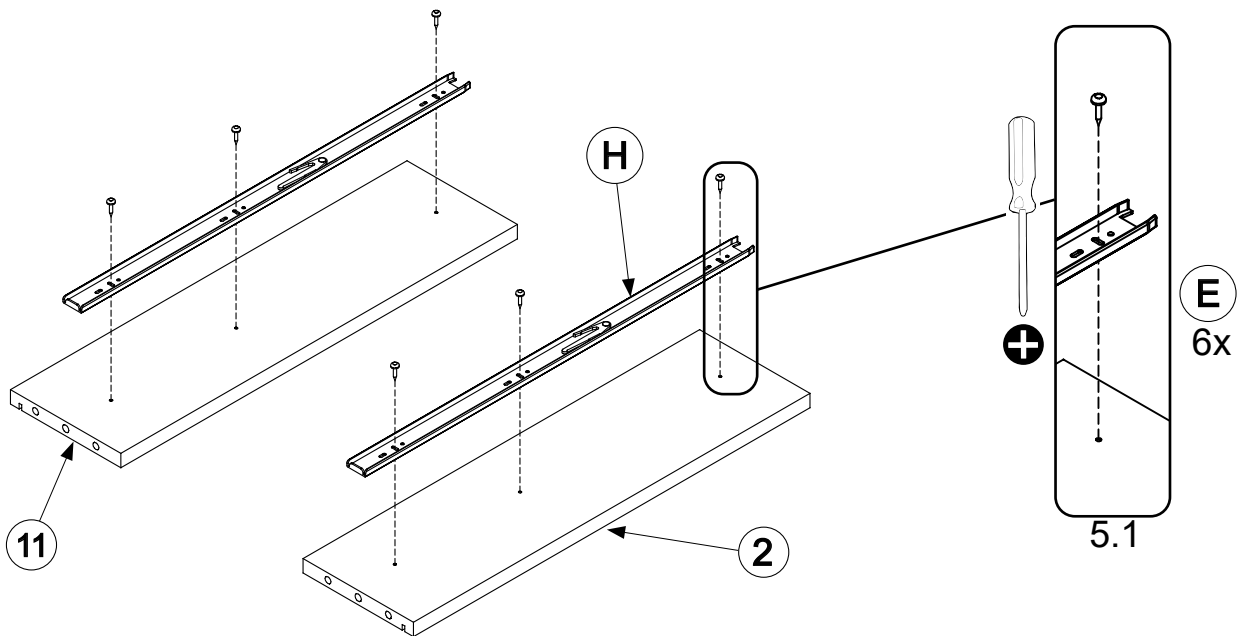
3 (3.1-3.4)

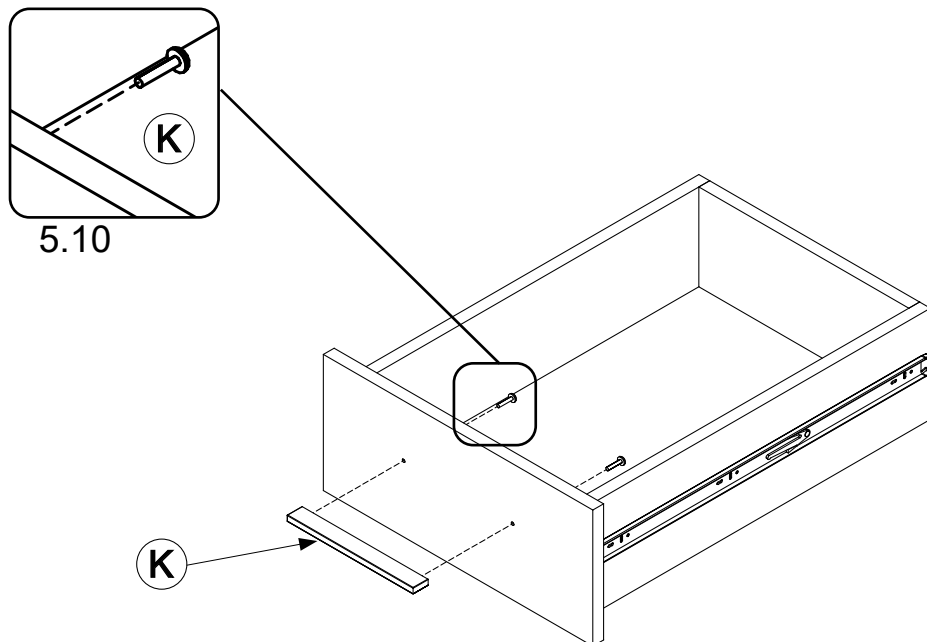
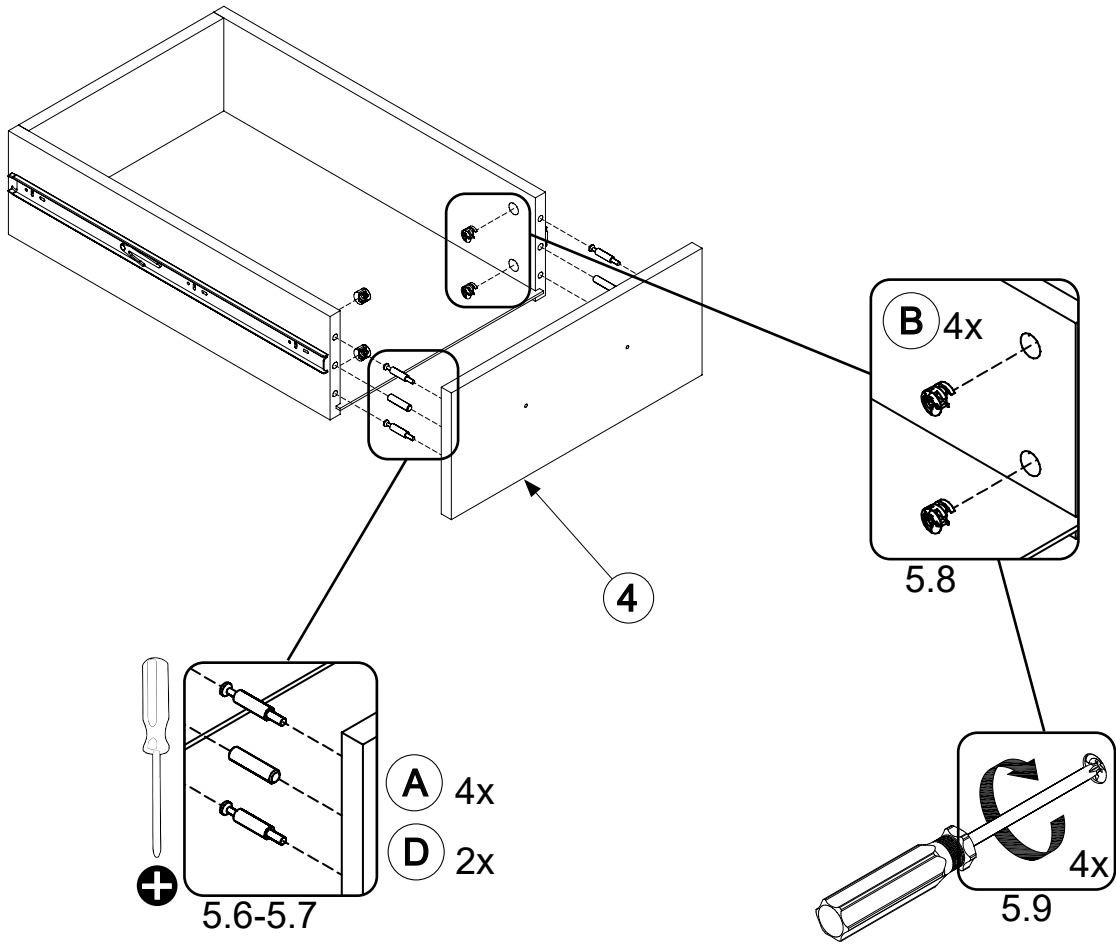


4 (4.1-4.4)

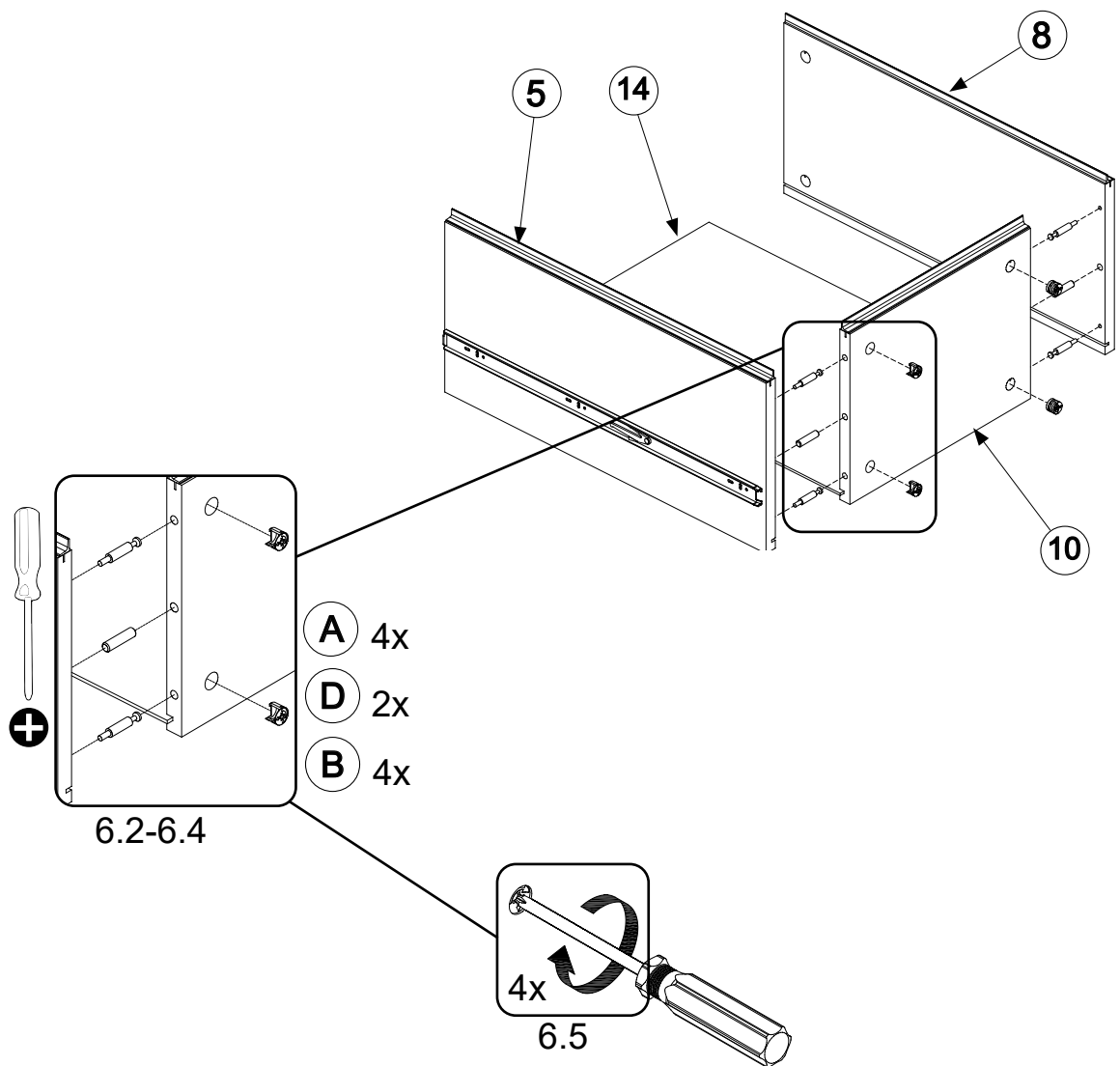
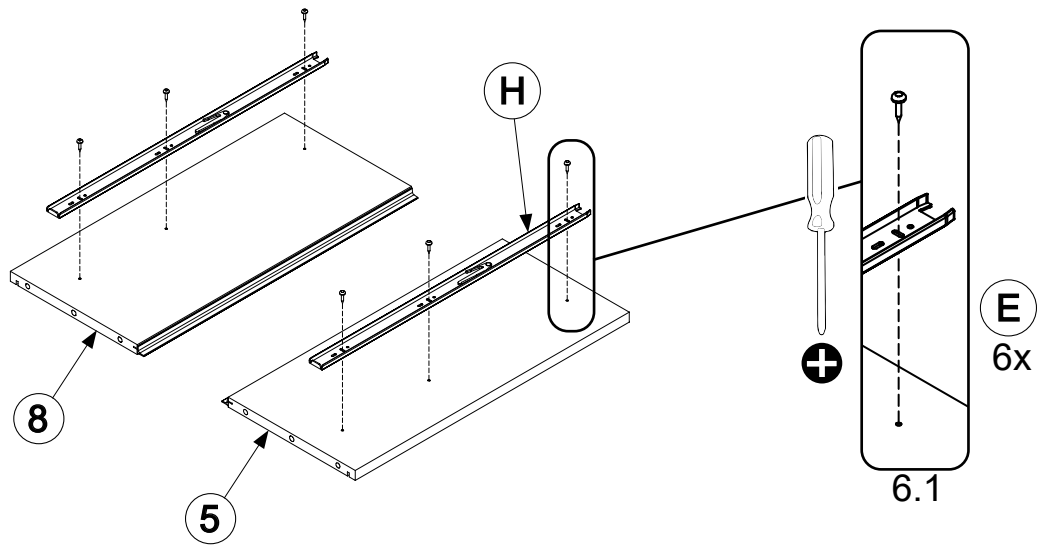


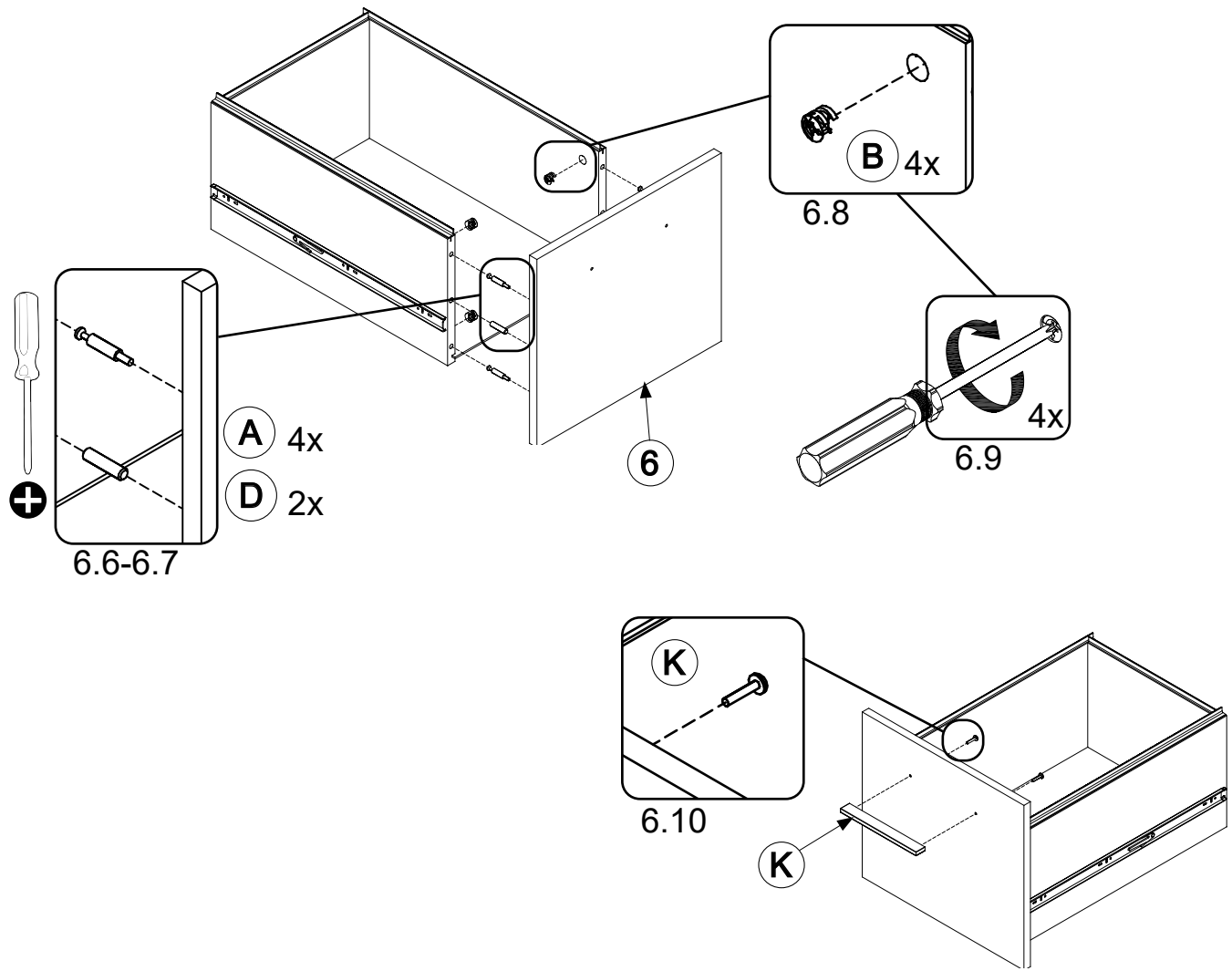
5 (5.1-5.10) 2x (For two drawers/Pour deux tiroirs)



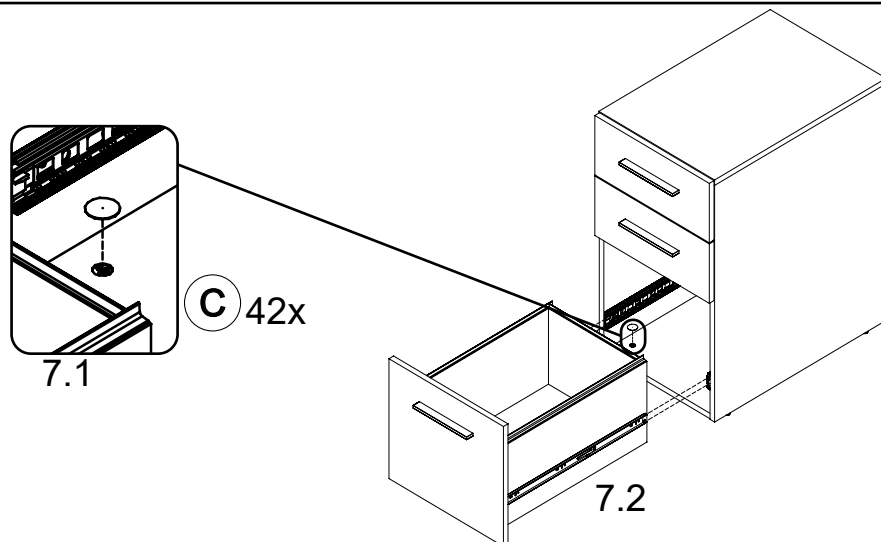


6 (6.1-6.11)



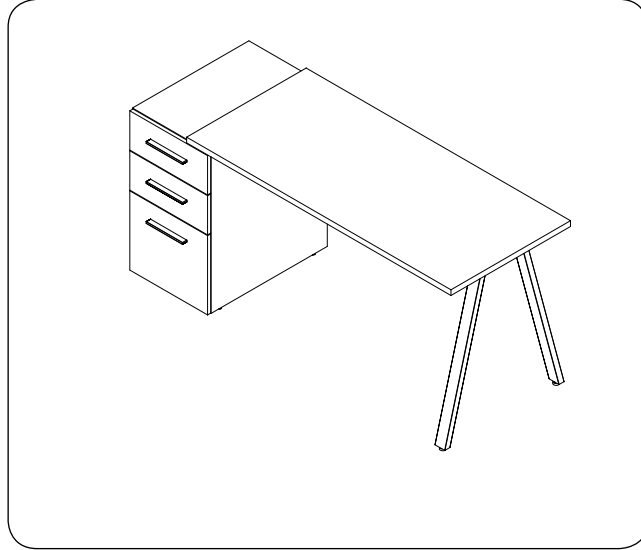


7 (7.1-7.2)



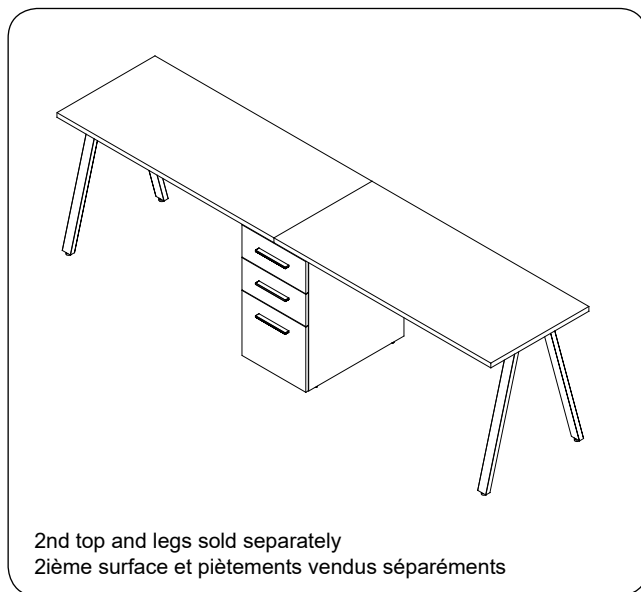
1A / 2A

Simple desk
Bureau simple



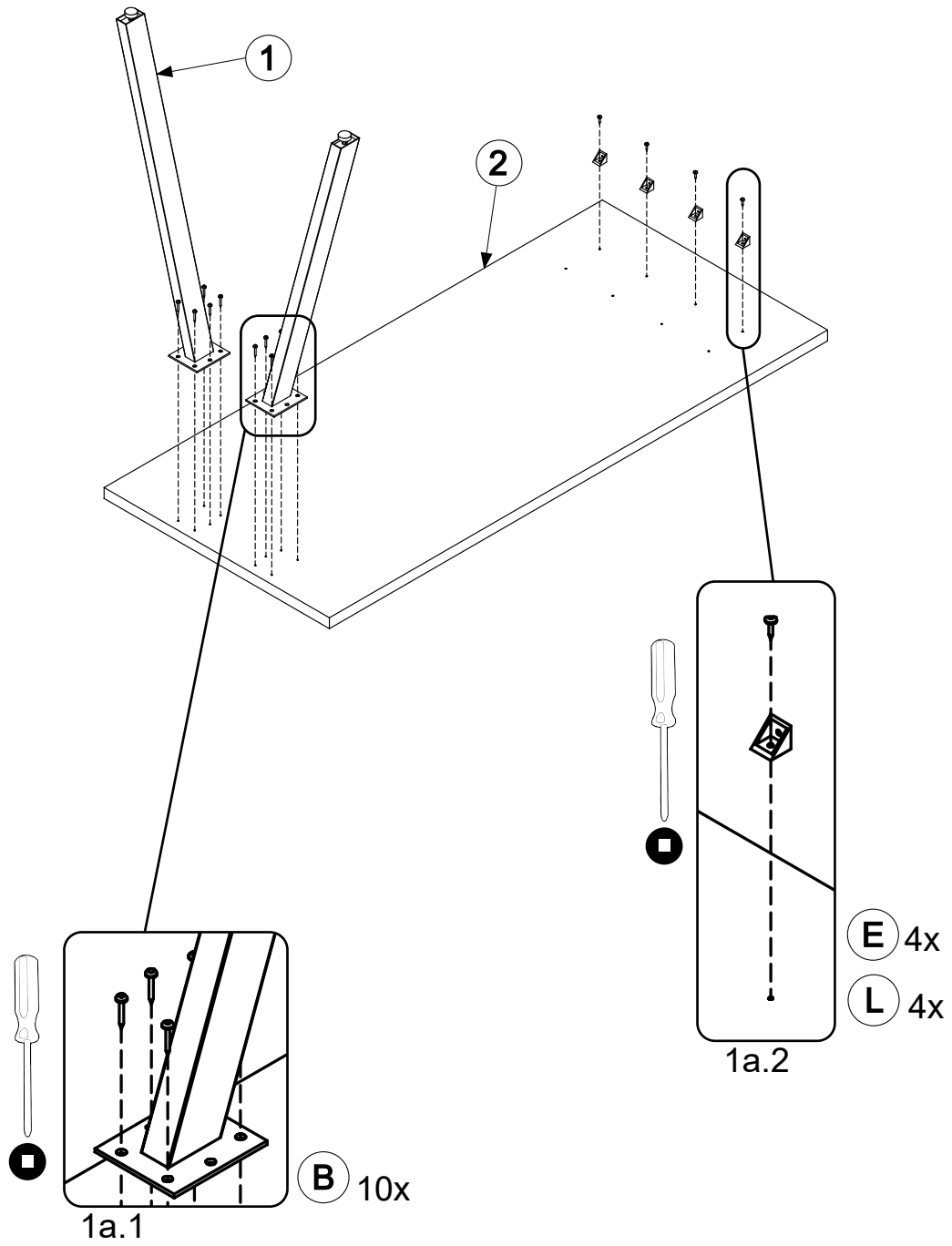
1B / 2B

Double desk
Bureau double

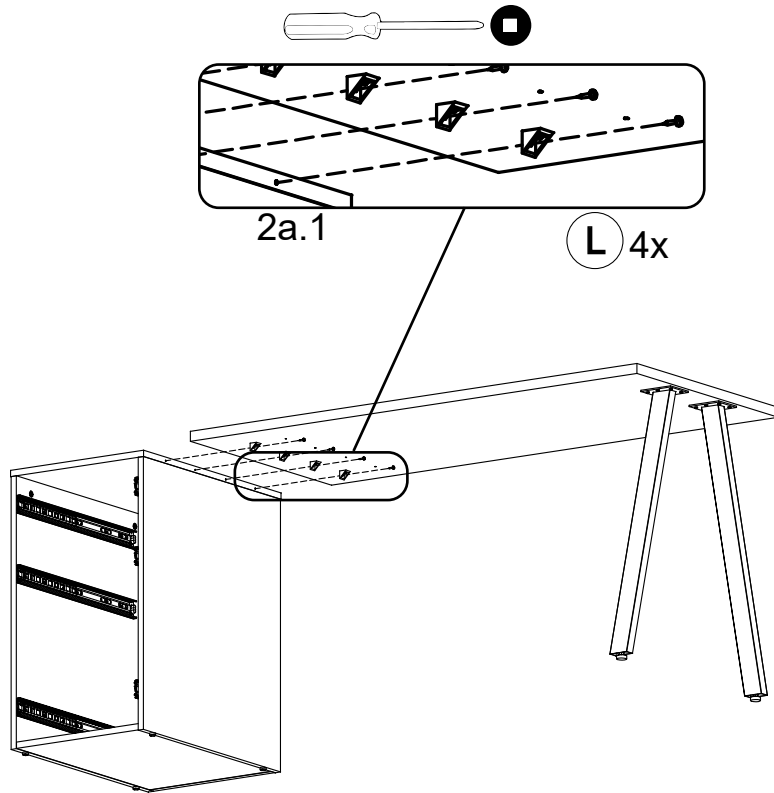


2nd top and legs sold separately
2ième surface et piètements vendus séparéments

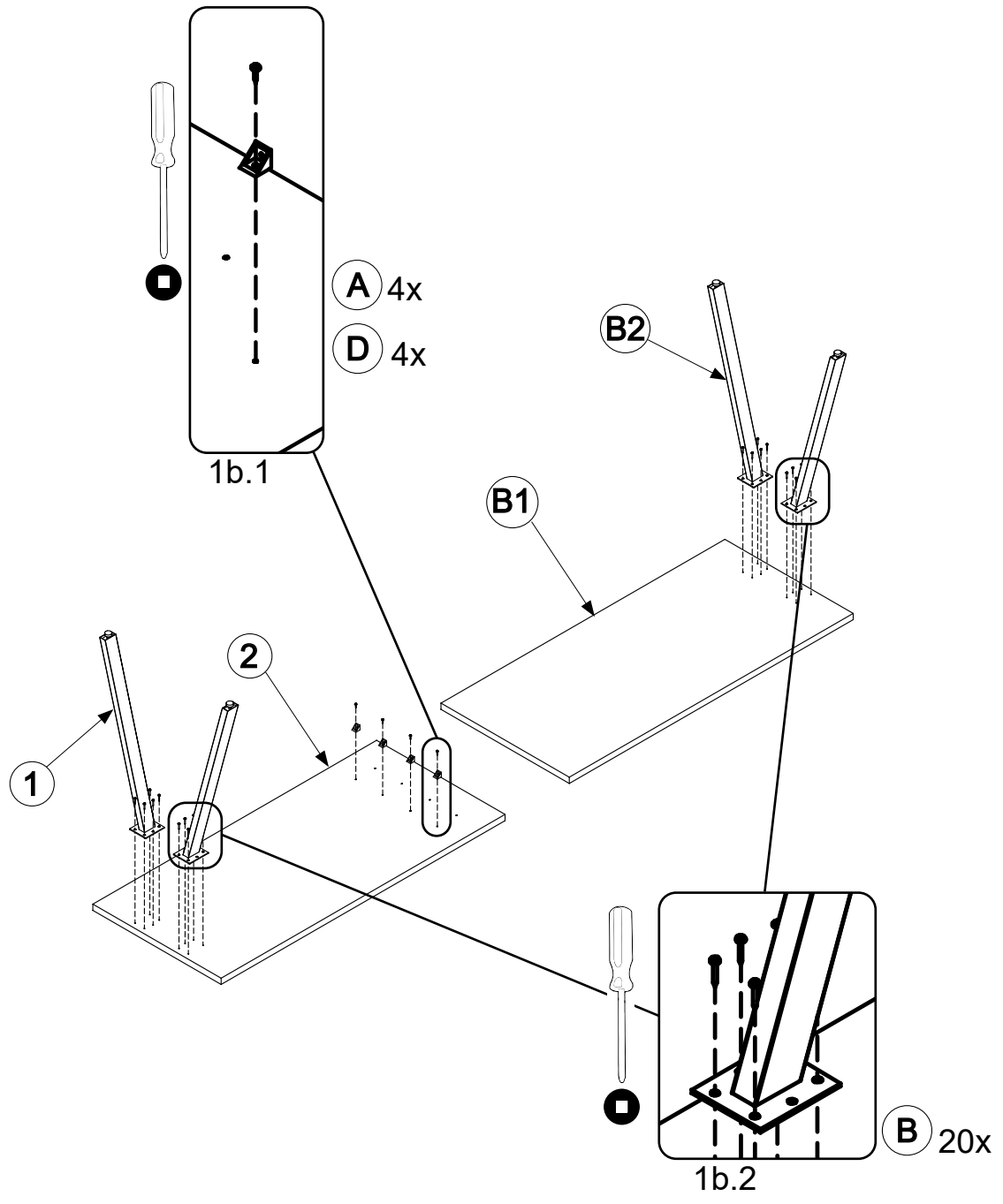
1 A (1a.1-1a.2)



2A (2a.1-2a.2)



1 B (1b.1-1b.2)



2B (2b.1-2b.2)

