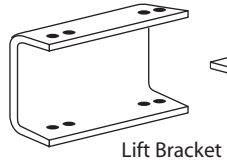


**YOUR KIT INCLUDES:**

- 4 - 1/4" x 1 1/2" bolts and nuts
- 2 - 5/16" x 5" bolts and nuts
- 2 - 5/16" x 5" cross drilled bolts and nuts
- 1 - 1 x 1 x 1/8" steel angle (4 feet)
- 1 - hitch insert bracket
- 1 - Lift bracket
- 2 - 18" x 34" RockSolids
- 2 - clevis pins
- 4 - 5/16" split ring lock washers

**TOOLS YOU WILL NEED:**

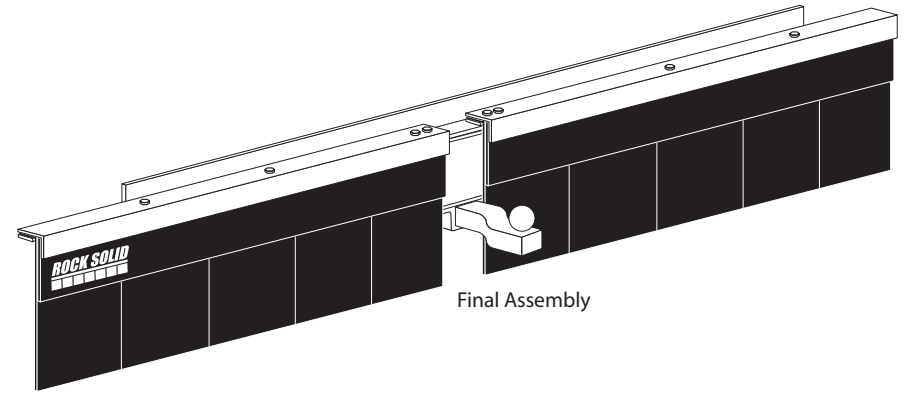
- Drill with 1/4" bit and 5/16" bit
- 1/2" wrench or socket
- 7/16" wrench or socket
- 3 C-clamps



Lift Bracket



Hitch Insert Bracket



Final Assembly

**STEP 1:**  
Clamp 4 foot angle, lift bracket, hitch insert bracket, and RockSolids as shown in Fig. A

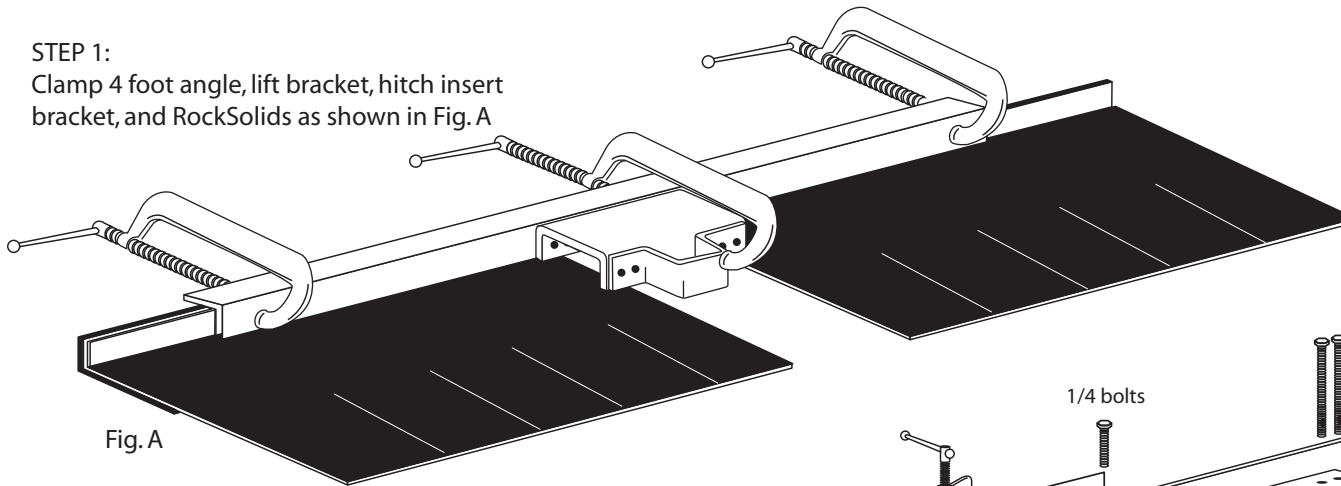
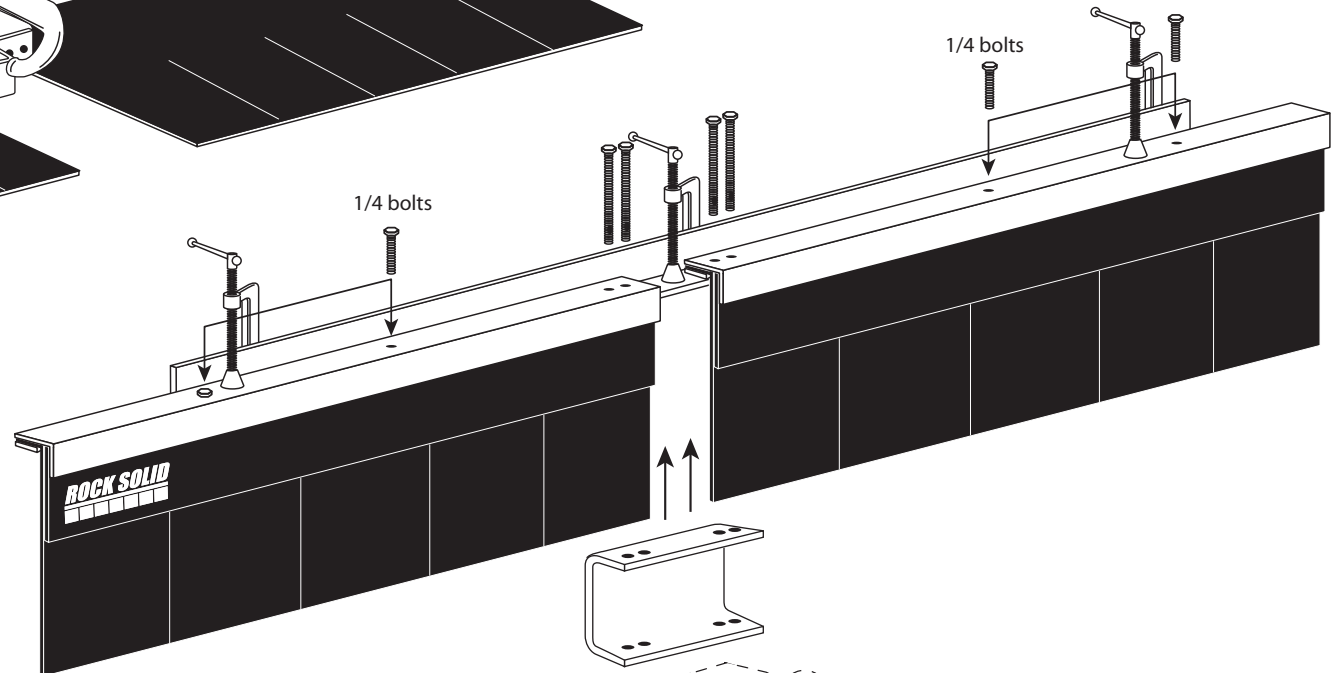


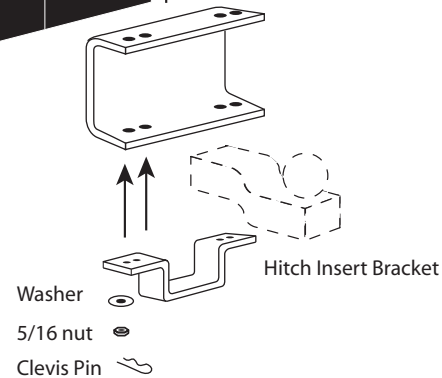
Fig. A

**STEP 2:**  
While assembly is laying flat, drill 1/4" holes at pre-punched channel locations. Insert 1/4" nuts and tighten bolts.



**STEP 3:**  
Drill 5/16" holes for the hitch bracket and lift bracket. Insert the 5/16" x 5" bolts, lockwashers and nuts. Do NOT tighten nuts at this step.

**STEP 4:**  
Fasten assembled unit by sliding the hitch insert bracket over the ball insert. Tighten 5/16" bolts, and insert clevis pins for safety.



Washer

5/16 nut

Clevis Pin