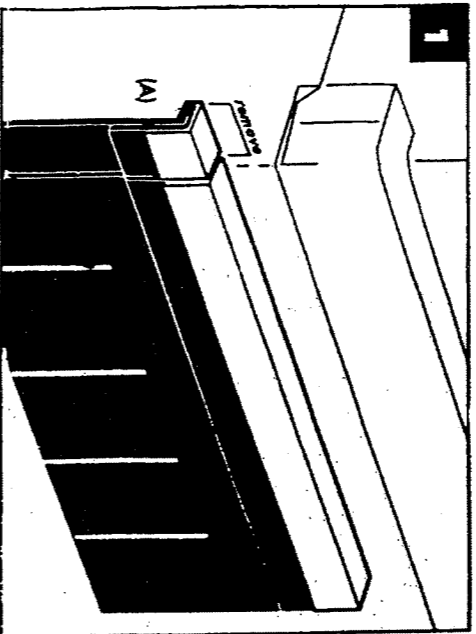


# MOUNTING INSTRUCTIONS

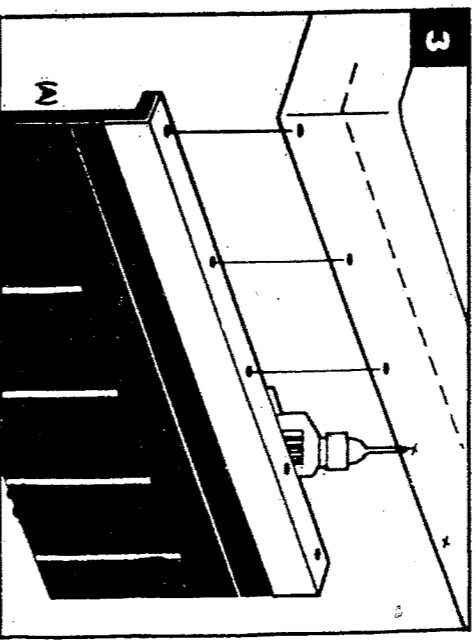
Before beginning any of the mounting procedures, first look under the vehicle and find a suitable mounting location, then determine the width of the Rocksolid™ that will best fit your vehicle. See below for instructions. If at any time you have any questions about mounting the unit, phone 630-775-1517

## YOU WILL NEED THE FOLLOWING TOOLS FOR PROPER INSTALLATION:

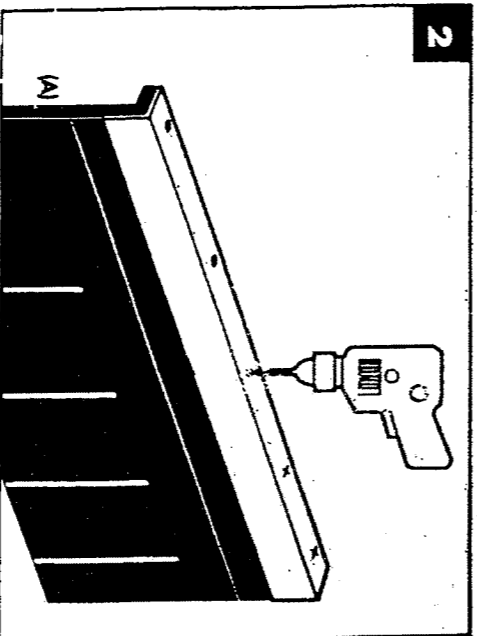
- |                              |   |
|------------------------------|---|
| 1 - Drill with 1/4" bit      | Additional tools for trimming if necessary. |
| 1 - 1/2" Wrench              | 1 - Tape Measure                            |
| 1 - 3/8" Socket with Ratchet | 1 - Tin Snips                               |
|                              | 1 - Hack Saw                                |
|                              | 1 - Thin file or pocket knife               |



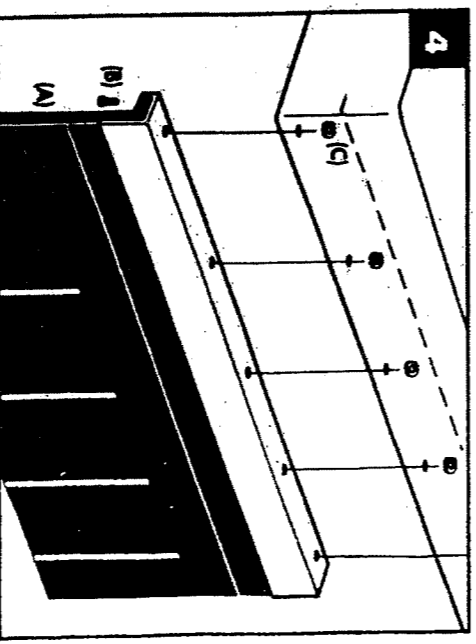
1 Measure length of bumper (NOTE: Take note of any extruding objects: hitch/muffler, that may interfere with (A) Section and trim accordingly). If necessary, trim off excess width from either edge of one of your (A) Sections with tin snips or hack saw. File off burrs with a thin file. Trim same amount from other (A) Section piece and file.



3 Align (A) Section under bumper to mark points at which to drill holes for mounting. Drill 1/4" holes at the five marked points on bumper. Repeat for other (A) Section piece.



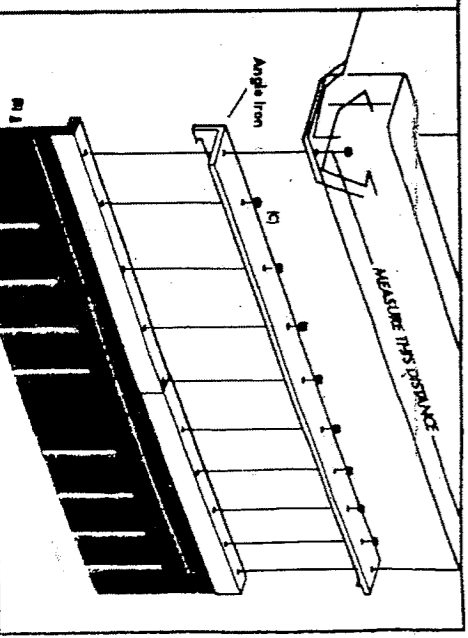
2 Mark five points on (A) Section with pen or pencil at which holes will be drilled. Drill five 1/4" holes in (A) Section at marked points. Repeat on other (A) Section.

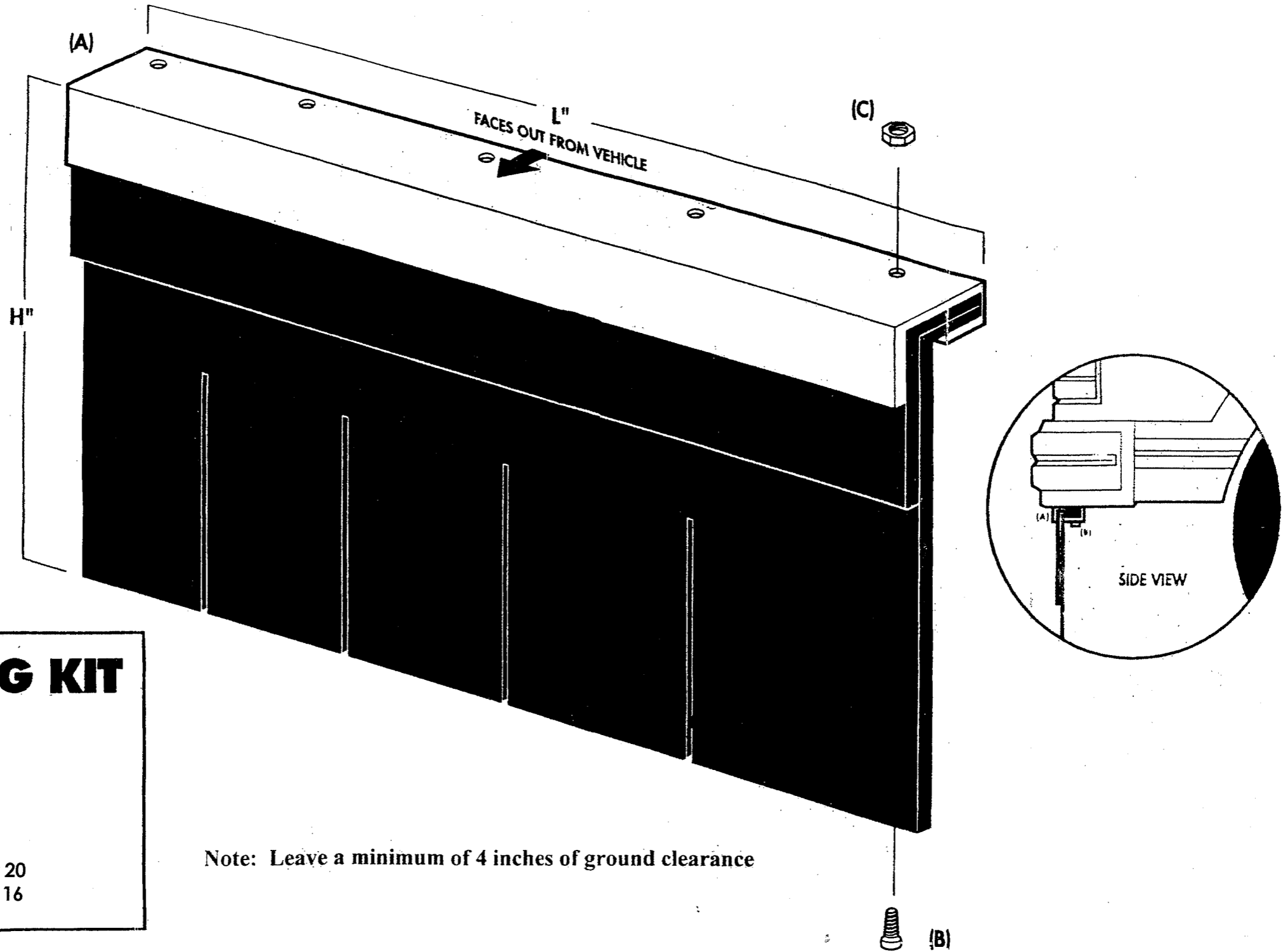


4 Fasten (A) Section to bumper using 5 of the (B) 1/4" Bolts as shown. Tighten nuts. Repeat for other (A) Section piece to finish installation.

## INSTRUCTIONS FOR OPTIONAL FRAME MOUNT

Measure frame width. Use this measurement to mark points on a piece of 1" x 1" angle iron (available at any hardware store) at which holes will be drilled. Drill five 1/4" holes in angle iron at marked points. Align angle iron below frame to mark points on frame for drilling. Drill 1/4" holes at marked points on frame. Attach (A) Section to angle iron and frame using (B) 1/4" Bolts as shown. Tighten nuts.





# MOUNTING KIT

## YOUR KIT INCLUDES:

(A) 2 - L" x H" Sections

(B) 10 - 1/4" Bolts

(C) 10 - Washer Head Nuts

MODEL: 00002: L = 48, H = 20

MODEL 01696: L = 38, H = 16

Note: Leave a minimum of 4 inches of ground clearance