

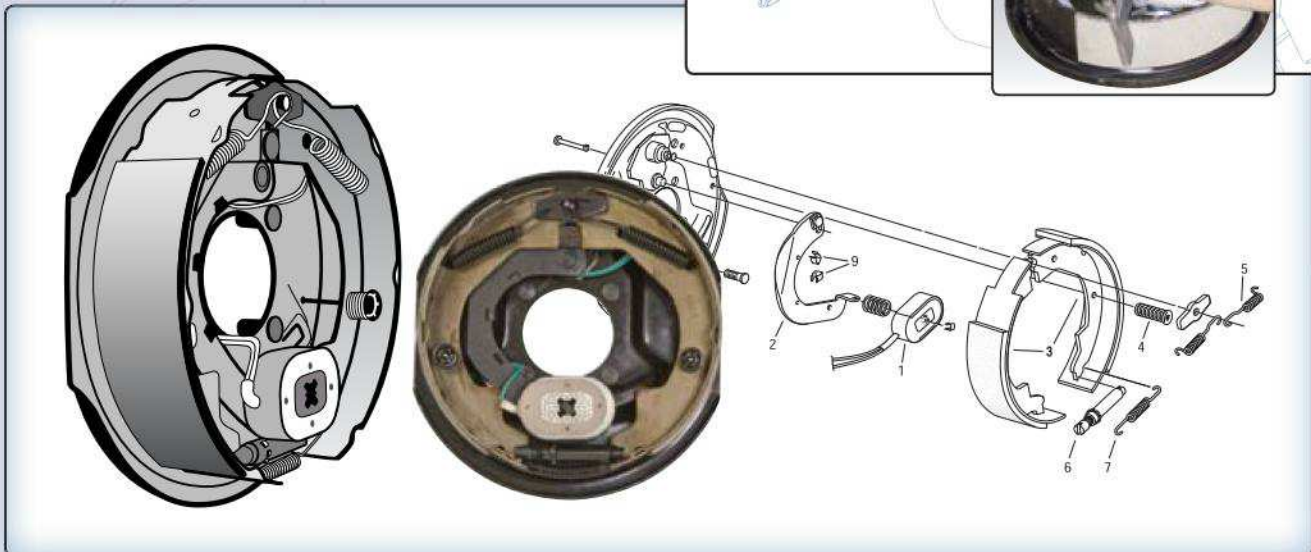
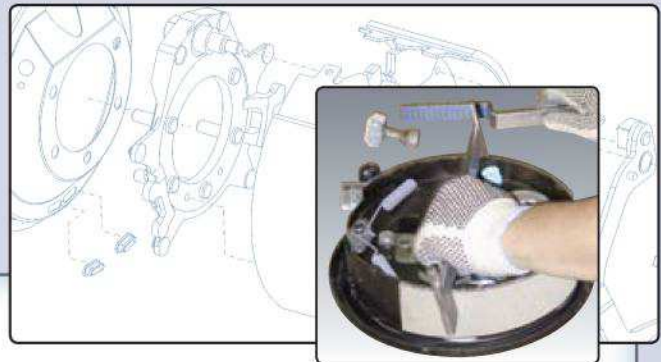
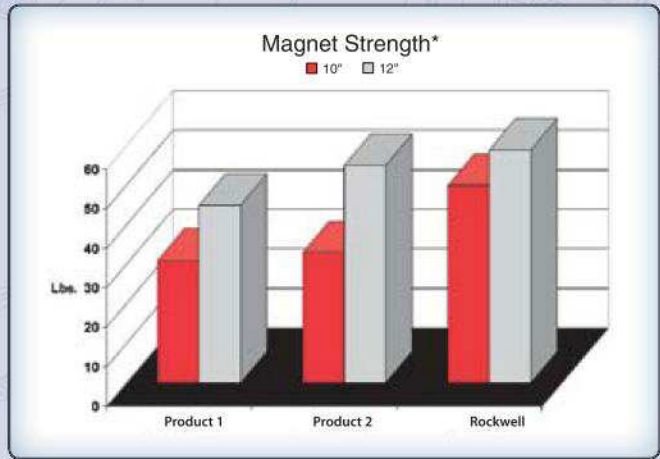
ROCKWELL AMERICAN HIGH-PERFORMANCE ELECTRIC BRAKE ASSEMBLIES



With years of research and experience behind the development, we have produced superior electric brake assemblies. The key to the improved braking ability of the Rockwell American electric brakes lies in the design of the magnet. The magnet generates substantially greater pulling power than others do at the same amperage. Additional features include shielding of the wires where they exit the magnet body and cross venting to dissipate heat and clean the armature surface.

What does this mean for you? It equates into a stronger brake with less amperage. Industry proven reliability features have been addressed as well, from the double retractor springs at the top to the under-mount adjuster spring on the bottom, this brake was designed for miles of worry free service.

These are just a few reasons why, with a Rockwell American High-Performance electric brake, you can Stop With Confidence!



- AXLES & COMPONENTS
- SUSPENSIONS & COMPONENTS
- BRAKES & COMPONENTS**
- TIRES & WHEELS
- FENDERS & BODY
- JACKS & COUPLERS
- BRAKE CONTROL SYSTEMS
- TOWING & ACCESSORIES
- MARINE COMPONENTS
- HARDWARE & ACCESSORIES
- AGRICULTURAL COMPONENTS
- PAINT & LUBRICANTS
- LIGHTS & ELECTRICAL
- PACKAGED PRODUCTS

ELECTRIC BRAKES AND COMPONENTS



Left Hand Brake Assembly

ROCKWELL AMERICAN QUICK TIPS

How to Select Brake Parts

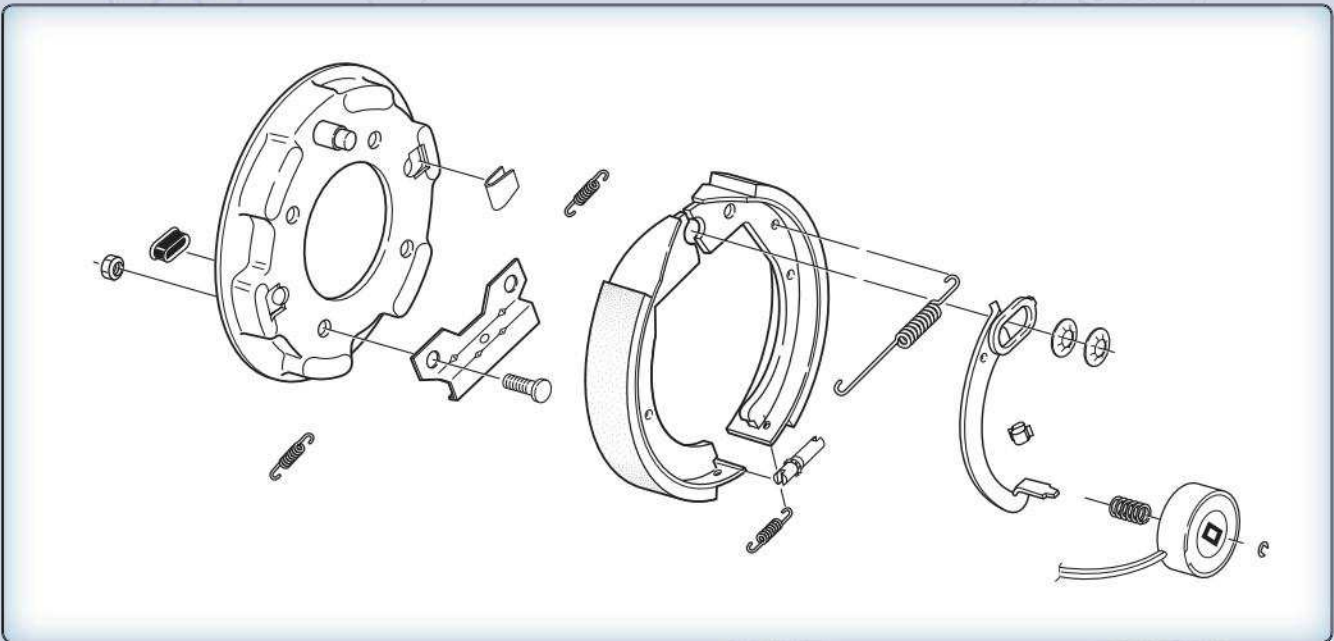
STEP 1: Determine your brake size by measuring the diameter of the brake shoe. It is also necessary to measure the width of the lining.

STEP 2: Determine the manufacturer of your brake. Some manufacturers put their name on the reverse side of the backing plate.

STEP 3: Compare the part you need with the exploded parts diagram until you find the part that matches yours.



Right Hand Brake Assembly

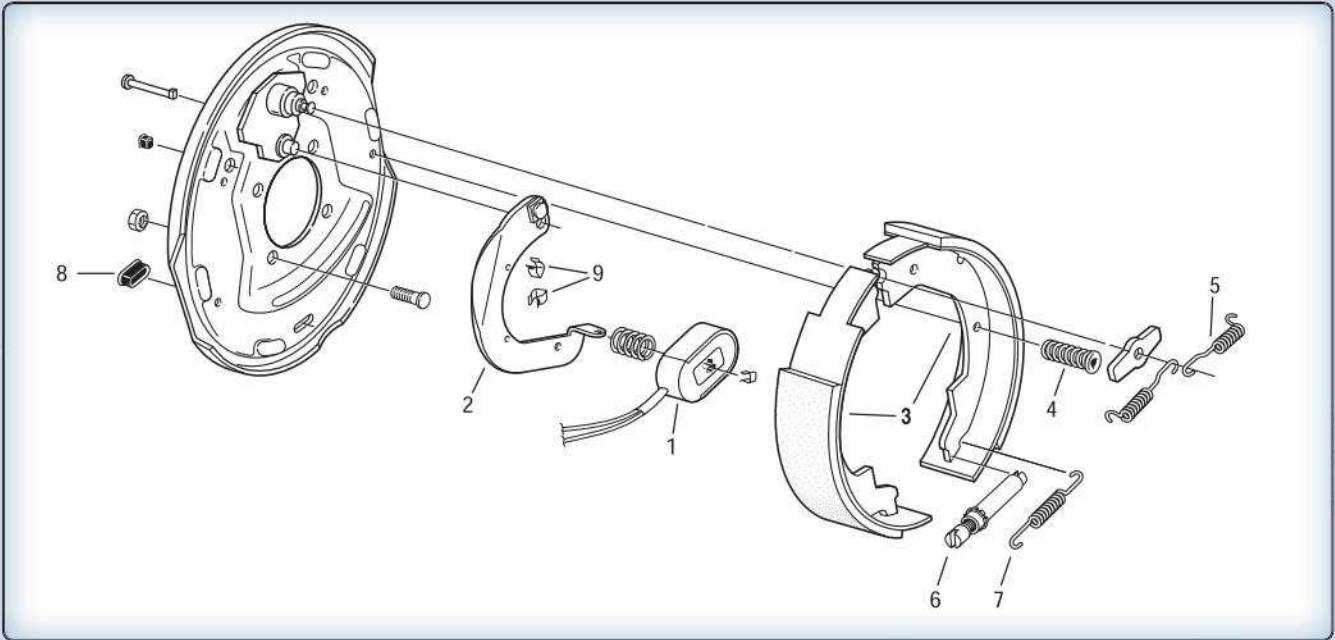


7" x 1.5" ELECTRIC BRAKE-2K

PART #	DESCRIPTION
4740-L	LH Brake Assembly
4740-R	RH Brake Assembly



BRAKES & COMPONENTS



10" x 2-1/4" ELECTRIC BRAKES - 3.5K



PART #	GROSS CAPACITY	DESCRIPTION
4701-L	3.5K	LH Brake Assembly - Bulk
4701-R	3.5K	RH Brake Assembly - Bulk
PP4701-L	3.5K	LH Brake Assy. - Retail Packaged
PP4701-R	3.5K	RH Brake Assy. - Retail Packaged
4701-LA	3.5K	LH Brake Assembly - Auto Adjusting
4701-RA	3.5K	RH Brake Assembly - Auto Adjusting
4701-LP	3.5K	LH Brake Assembly-Parking
4701-RP	3.5K	RH Brake Assembly-Parking



Left Hand Brake



Right Hand Auto Adjusting Brake

Replacement Parts

PART #	DIA. #	DESCRIPTION	APPLICATIONS		
			ROCKWELL	DEXTER	AL-KO
PPBM10E	1	Magnet Kit, Green Wire	*	*	*
47023-P	Not Shown	Lever Assy. RH	*		*
47024-P	2	Lever Assy. LH	*		*
PPBSL10E	3	Shoe & Lining	*	*	*
BHD1012E	4	Shoe Hold Down Spring	*	*	*
47097	5	Shoe Retractor Spring	*		
47087	6	Adjuster Screw Assy.	*	*	*
47095-1	7	Adjuster Screw Spring	*	*	*
47098	8	Adjuster Dust Plug	*	*	*
47091	9	Magnet Wire Clip	*	*	*
PP1012EASK	4,5,6,7,8,& 9	Packaged Kit	*		

FRACTION TO DECIMAL CONVERSION CHART					
FRACTION	DECIMAL	FRACTION	DECIMAL	FRACTION	DECIMAL
1/16	.0625	3/8	.3750	11/16	.6875
1/8	.1250	7/16	.4375	3/4	.7500
3/16	.1875	1/2	.5000	13/16	.8125
1/4	.2500	9/16	.5625	7/8	.8750
5/16	.3125	5/8	.6250	15/16	.9375