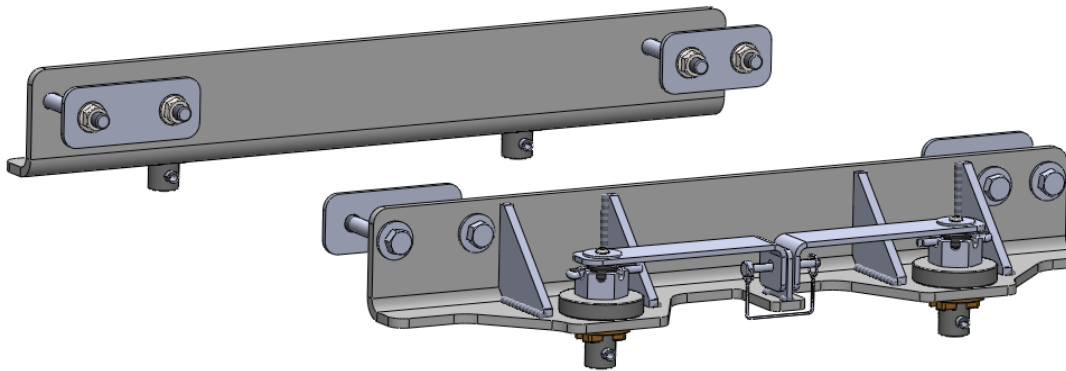




#4448 FORD

OE Puck Mounting Bracket Kit for SuperGlide #2700 & #2900



Gross Trailer Weight (Maximum) 18,000 lbs.
Vertical Load Weight (Max. Pin Weight)4,000 lbs.

SYSTEM TOW CAPACITY

Please note, in order to determine the total tow capacity of a system, you must consider the weight ratings of each component in that system. This includes, but may not be limited to, the capacity/rating of the tow vehicle, the fifth wheel hitch, and the hitch's mounting system. Actual tow capacity of the system will be equal to the lowest rated component.

Installation Instructions

SPECIFICATIONS

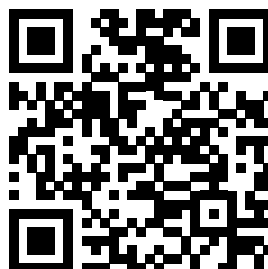
- Fits 2010-2019 Ford trucks with the OE 5th wheel hitch puck system
 - Attaches to SuperGlide models #2700 and #2900
- Custom Mounting Bracket Kit (Bracket & Hardware) #4448

TABLE OF CONTENTS



LIMITED WARRANTY.....	3
MOUNTING KIT EXPLODED VIEW MOUNTING KIT PARTS LIST.....	4
KIT PARTS LIST.....	5
ATTACHING KIT TO HITCH	6
BUILDING THE POST ASSEMBLY.....	7
INSTALLING HITCH INTO THE TRUCK BED.....	8-9

WATCH PULLRITE PRODUCT &INSTALL
VIDEOS ON OUR YOUTUBE CHANNEL
HERE.

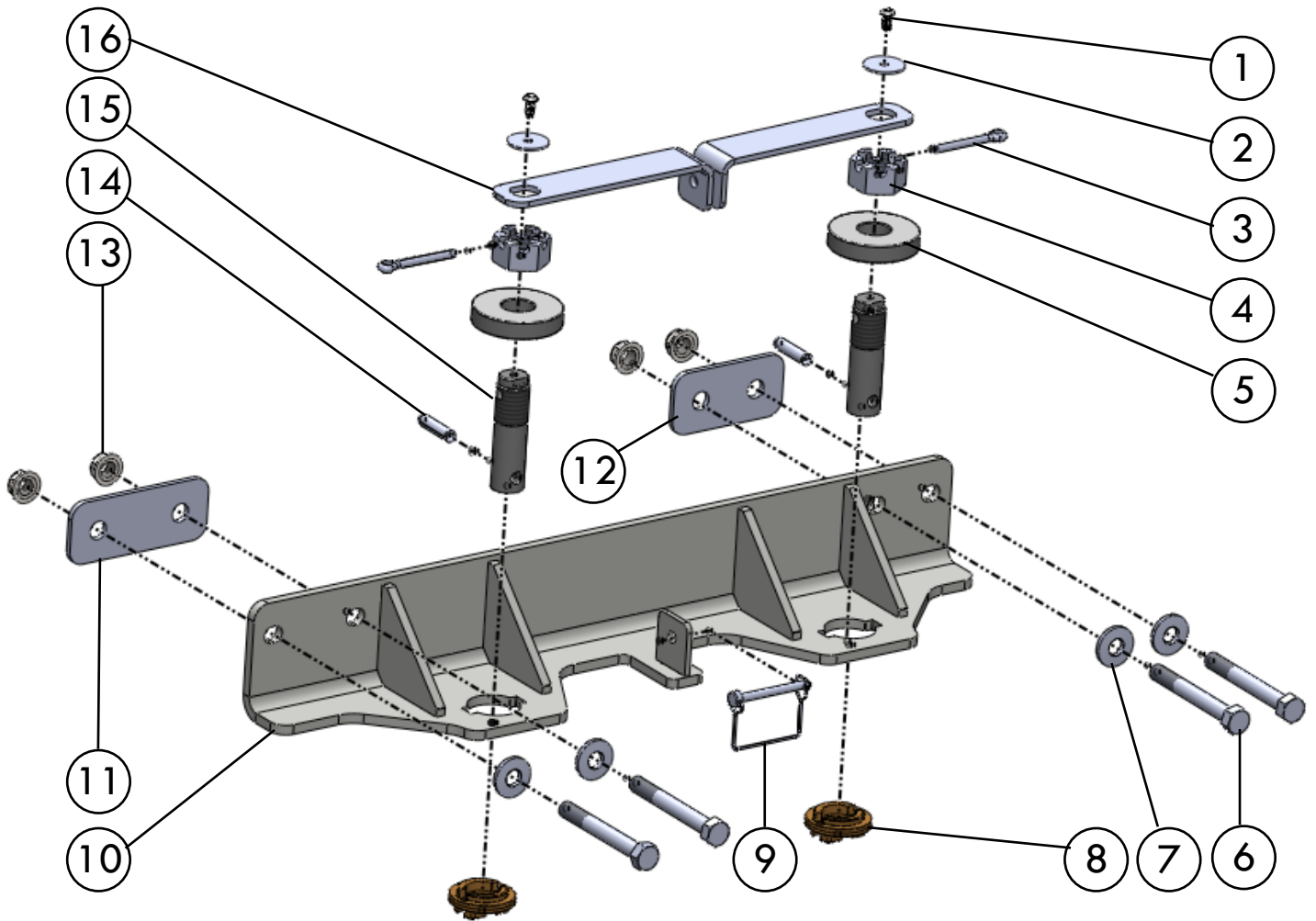


5 YEAR LIMITED WARRANTY

PULLIAM ENTERPRISES, INC. hereinafter referred to as "PULLIAM", warrants to the first retail owner only, this PullRite towing system to be free from defects in materials and workmanship for a period of five (5) years. To validate this warranty, the first retail owner must mail the provided warranty card to PULLIAM, or register online at www.pullrite.com, within ten (10) days after installation of said towing system on his vehicle. The owner is responsible for all normal and preventative maintenance described in the Owner's Manual. If any defect occurs which the owner believes is covered by this warranty within said five (5) year period, the owner shall contact PULLIAM immediately, either in writing or by telephone call, Attention Customer Service Department. The owner will be instructed to return the hitch at his expense either to an authorized PullRite dealer or to PULLIAM to repair or replace any parts necessary to correct defects in material or workmanship. Repair or replacement shall be at the sole option of PULLIAM and shall be completed by or on behalf of PULLIAM free of charge for materials and labor. This warranty gives you specific legal rights, and you may also have other rights which vary from state to state. THIS WARRANTY SPECIFICALLY EXCLUDES EACH OF THE FOLLOWING:

1. Defects in the product resulting from misuse, neglect, accident, loading beyond the vehicle's capacity, failure to comply with instructions contained in the Owner's Manual or unauthorized repairs, replacements, alterations or modifications. "Unauthorized repair, replacements, alterations" are those made without PULLIAM'S prior knowledge and consent.
2. Any incidental or consequential damage including, but not limited to, loss of use of the vehicle, towing charges, vehicle rental, loss of time, inconvenience, travel, gasoline, lodging and telephone expenses, loss of revenue and damages on account of personal injury and property damage. (Some states do not allow the exclusion or limitation of incidental or consequential damages, so these limitations may not apply to you).
3. Repairs or replacements of defects in any PullRite towing system, or part thereof, installed on any vehicle which has been rented, leased or used for any commercial purpose.
4. Any representation, warranty of undertaking made by any dealer or third party beyond the scope of the warranty herein expressed.
5. Any problem resulting in normal deterioration due to wear or exposure. TO THE EXTENT PERMITTED BY LAW, IMPLIED WARRANTIES OF MERCHANTABILITY AND FITNESS FOR A PARTICULAR PURPOSE ARE LIMITED IN DURATION TO FIVE YEARS FROM THE DATE OF INSTALLATION ON THE FIRST OWNER'S VEHICLE. (SOME STATES, HOWEVER, DO NOT ALLOW LIMITATIONS AS TO DURATION OF IMPLIED WARRANTY, SO THOSE LIMITATIONS MAY NOT APPLY TO YOU)

#4448 MOUNTING KIT EXPLODED VIEW

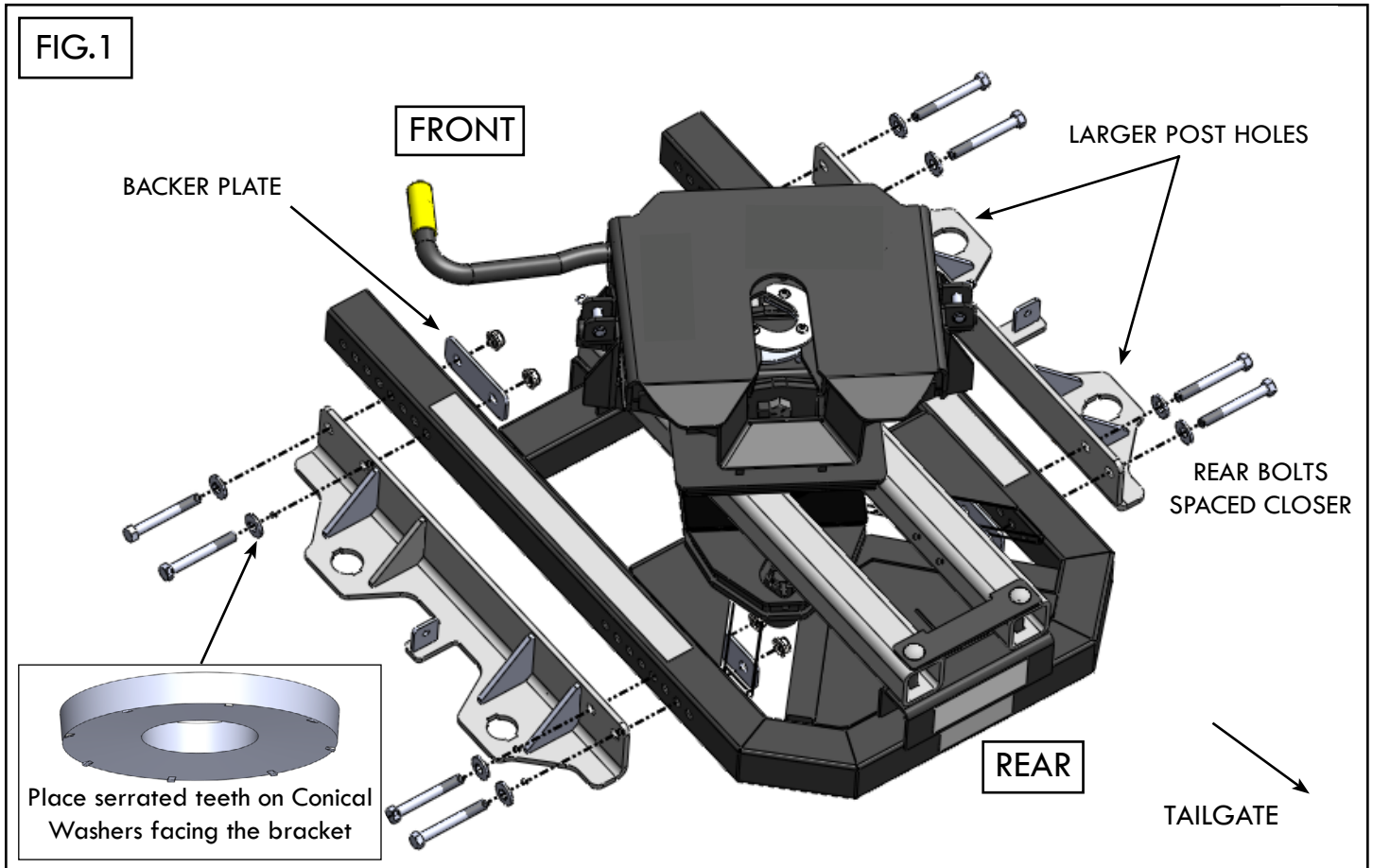


#4448 PARTS LIST

ITEM #	DESCRIPTION	PART NUMBER	QTY.
1	BUTTON HEAD SOCKET CAP SCREW 1/4"-20 X 1/2"	98410241	4
2	1/4" OVERSIZED FLAT WASHER	44480602	4
3	COTTER PIN 1/4" X 2"	98410567	4
4	CASTLE NUT 1"-14	98150121	4
5	BASE WASHER	13070101	4
6	HEX BOLT 1/2"-13 X 4"	98010191	8
7	CONICAL SERRATED WASHER 1/2 " ID X 1 1/4" OD	98200172	8
8	BRASS PUCK WASHER	13070001	4
9	BAIL PIN	98410529	2
10	DRIVER SIDE BRACKET	44480101	1
*	PASSENGER SIDE BRACKET (OPPOSITE SIDE, NOT PICTURED)	44480201	1
11	FRONT BACKER PLATE	44480107	2
12	REAR BACKER PLATE	44480106	2
13	SERRATED FLANGE NUT 1/2"-13	98150201	8
14	SLOTTED SPRING PIN 3/8" X 1 3/4"	98410524	4
15	OE FOOT POST	44480701	4
16	LOCK HANDLE	44480602	4

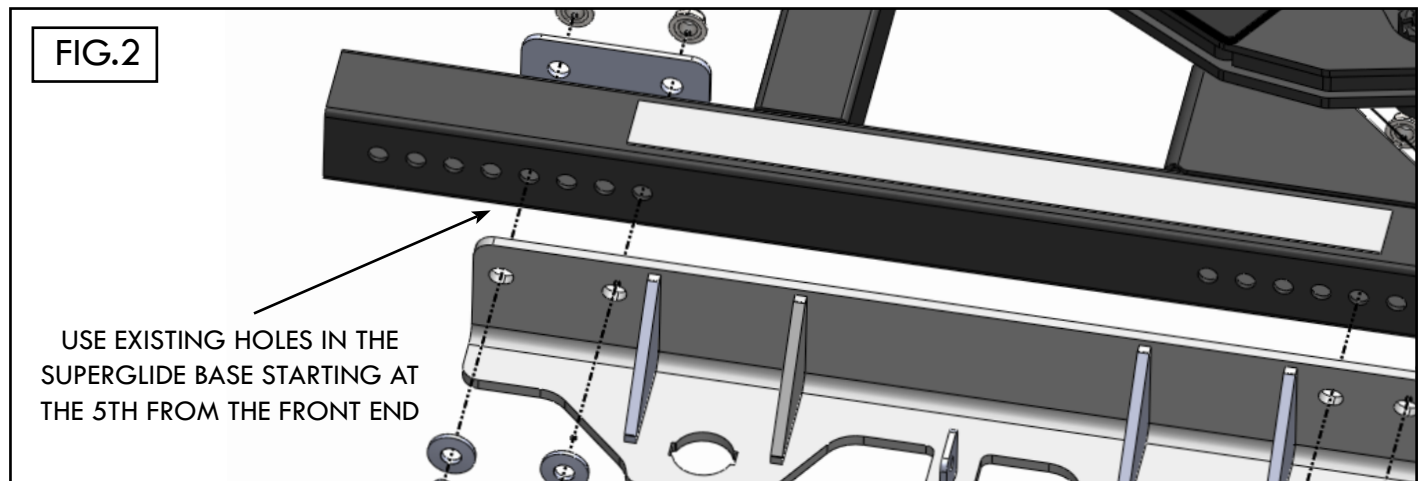
ATTACHING KIT TO HITCH

Note: The brackets are different and only work when properly installed on the hitch base. Notice the spacing is closer for the mounting bolts on the rear of both brackets (Fig.1) and post hole openings are larger on the passenger side.



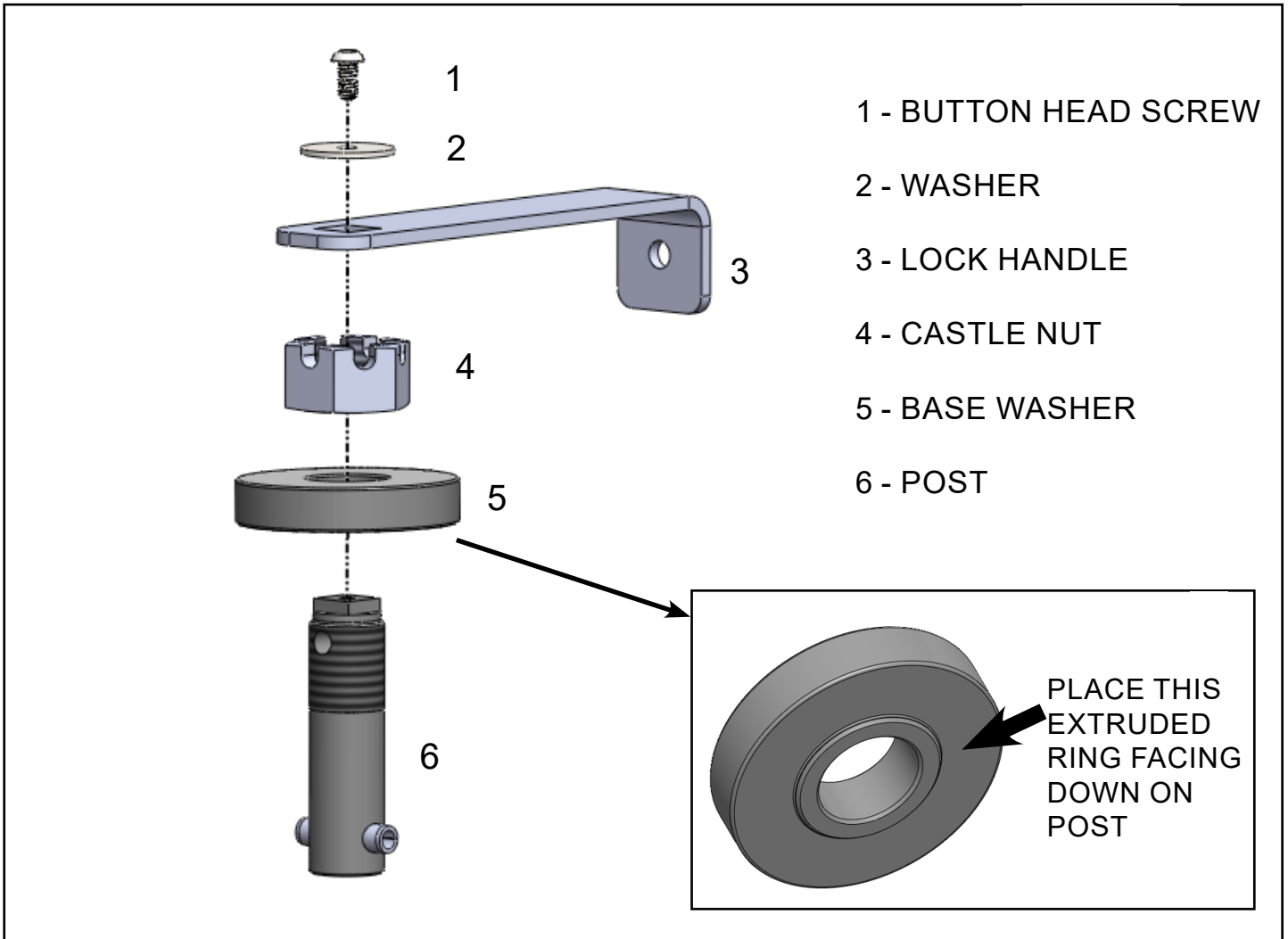
1. Place the kit brackets on the #2700 or #2900 SuperGlide base with Backer Plate and attach each using (2) 1/2-13 X 4 Hex bolts, (2) Conical Serrated Washers (see inset), and (2) 1/2"-13 Serrated Flange Nuts. Place brackets starting at the 5th hole from the front end on The SuperGlide base (Fig.2).

2. Hand tighten all hex bolts at this step.



BUILDING THE POST ASSEMBLY

Build the (4) post assemblies used for clamping hitch to the bed of the truck.



1. Place the Base Washer with the extruded ring facing downward on the Post.
2. Thread Castle Nut onto the Post.
3. Take the Lock Handle and place on top of the Post, the handle cut-out fits down over square top on Post. Add the Washer and Button Head Screw and tighten with an 3/16 hex key.

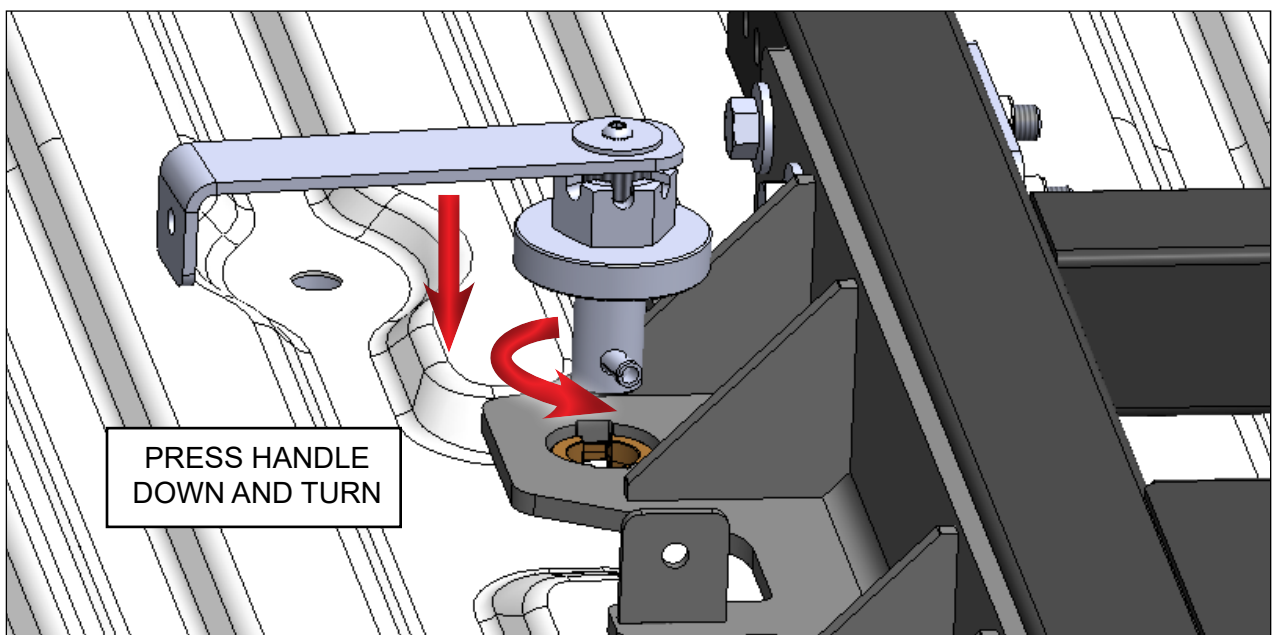
INSTALLING HITCH INTO THE TRUCK BED

FIG.3

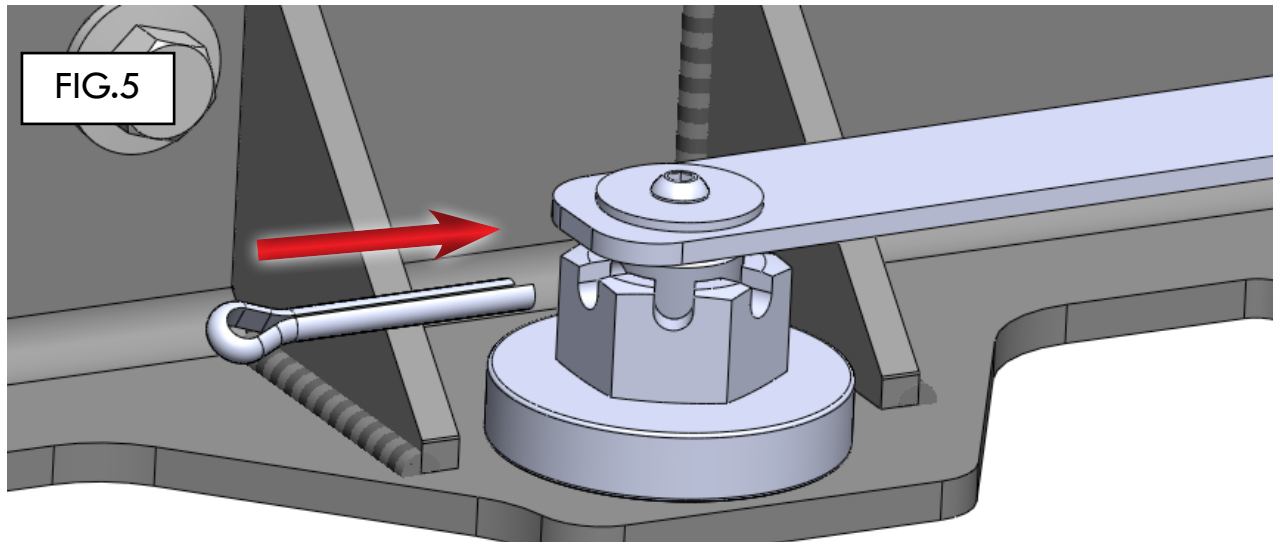


1. Place the (4) Brass Puck Washer in the *OE* pucks on truck bed (FIG.3). They should easily fit into the puck. In some instances, It may be necessary to lightly file the Brass Puck Washers to get them to fit as puck tolerances may vary.
2. Place the hitch over the seated Brass Puck Washers.They should all be visible through the post holes.
3. Starting with the driver side, take a Post Assembly and insert into the Brass Puck Washer in an open position as shown (FIG.4). Press and turn 90 degrees inward to the Lock Tab. At this point, tighten the Castle Nut on the Post Assembly just a few turns until it is firm.

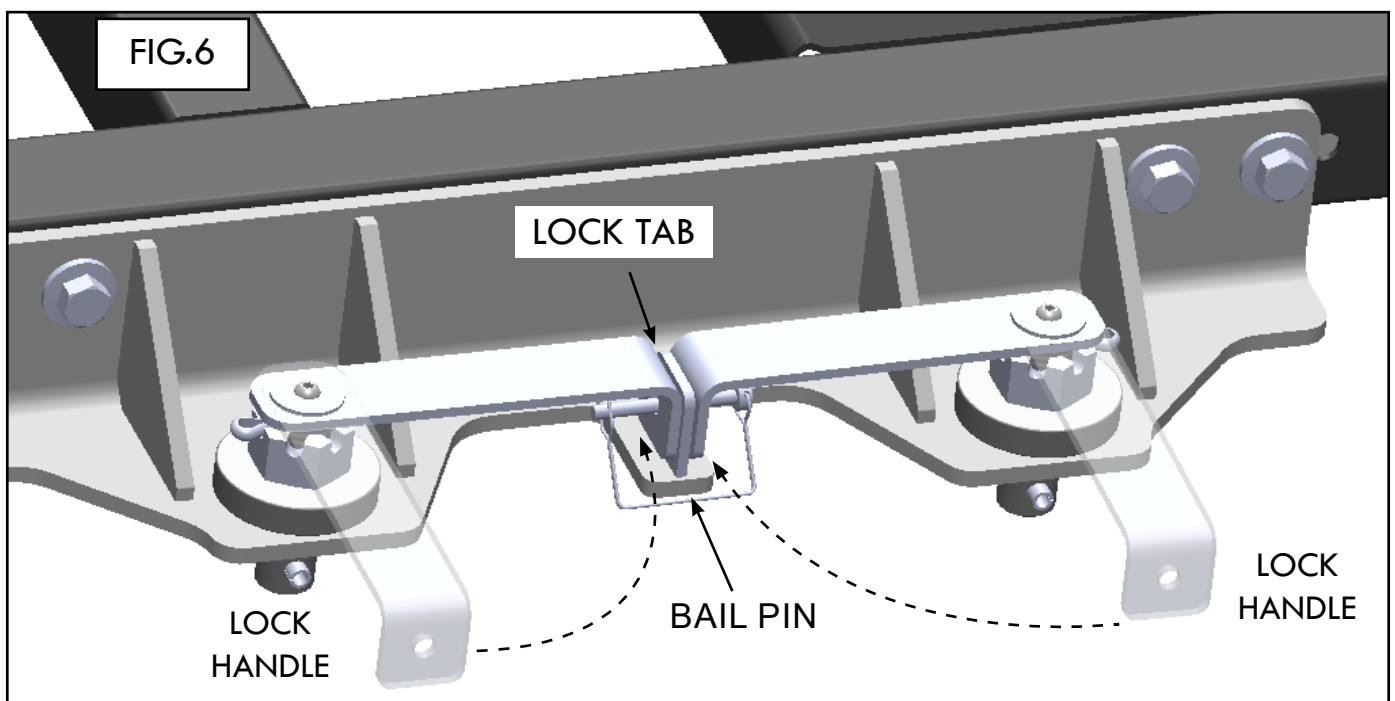
FIG.4



INSTALLING HITCH INTO THE TRUCK BED



4. Feed the Cotter Pin through the Castle Nut and pre-drilled hole in the side of the Post (FIG.5). Bend ends of cotter pin to prevent it from sliding out. Repeat this step with the other Post Assemblies.
5. Align Lock Handles with hole in the Lock Tab (FIG.6). and place Bail Pins through each hole, snap bail pin to lock.
6. Tighten all 1/2"-13 X 4" Hex Bolts to 75 foot pounds.





MANUFACTURED BY:

PULLIAM ENTERPRISES, INC. 13790 East Jefferson Blvd.
Mishawaka, IN 46545 (574) 259-1520 • (800) 443-2307
info@pullrite.com • www.pullrite.com