

Progressive Industries

Smart Surge Protector (SSP)
SSP-30XL & SSP-50XL (UL)

Operating Guide for:

Model **SSP-30XL**

Rated at 120V

and

Model **SSP-50XL**

Rated at 120/240V



**“Surgio Says”
Lifetime Warranty on
all EMS & SSP Surge
Protection Models***

SurgioSays.com

SSP-30XL & SSP-50XL Instructions

INSTALL STEPS:

STEP 1: Plug Smart Surge Protector into AC power. **DO NOT** plug in your RV at this time. Verify **GREEN** surge indicator LED(s) is on.

STEP 2: Verify which LED's come on. The **Correct Wiring** condition occurs when both the **GREEN** and **BLUE** LED's are on (See Diagram **A**). If this does not occur you may be experiencing one of the other three (3) Wiring Conditions as noted in the diagrams.

B Reverse Polarity

C Open Neutral

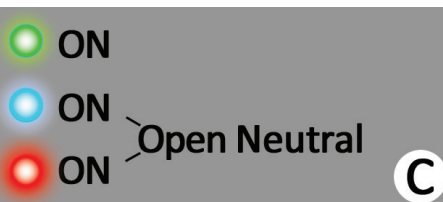
D Open Ground

Your Smart Surge Protector will continue to work during any of the wiring conditions; however, only the **Correct Wiring** condition (both **GREEN & BLUE** LED's on) is optimal and any other wiring condition should be corrected by Campground Maintenance before use.

STEP 3: Plug in your RV power to the Smart Surge Protector. Refer to STEP 2 above for surge protection wiring conditions.

FEATURES INCLUDE:

3-Color LED Indicator Lights, Weather Resistant, Dual Line Polarity Tester (SSP-50XL only), Pull Handle on Plug, Lifetime Warranty, it's portable, just plug it in and like with all our products its made in the USA!



● Green Light Off means SSP has been compromised

SPECIFICATIONS:

SSP-30XL

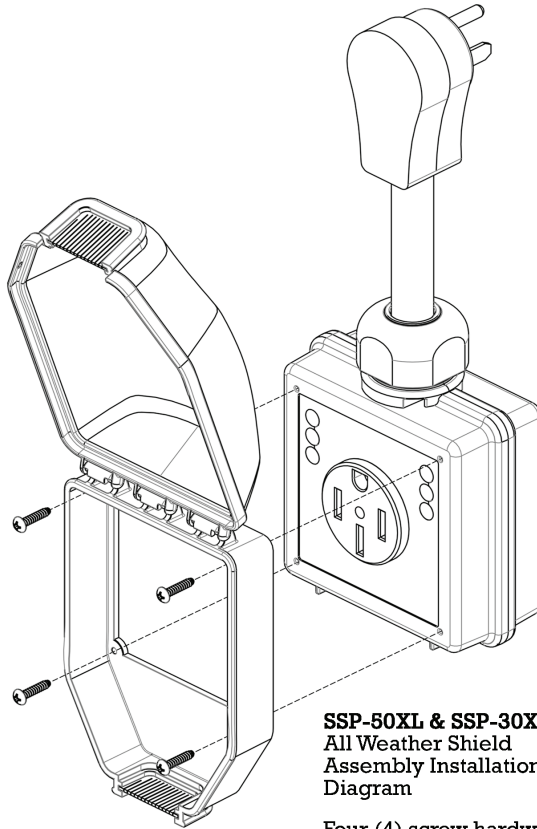
Rated at 120V
Joule Rating: 825J
Surge Amps: 22,500
Response Time: <1 Nano Seconds

SSP-50XL

Rated at 120/240V
Joule Rating: 1,650J
Surge Amps: 45,000
Response Time: <1 Nano Seconds

Surge Protector Device (SPD):

SPD is not for household use; the earth-grounding terminal is intended to provide protection from electric shock; and the SPD must be plugged into a properly wired grounding type outlet.



SSP-50XL & SSP-30XL
All Weather Shield
Assembly Installation
Diagram

Four (4) screw hardware
included in kit.

Progressive Industries Warranty

Lifetime Warranty Information for Models:

EMS-PT30C | EMS-PT50C | EMS-HW30C | EMS-HW50

EMS-LCHW30 | EMS-LCHW50 | SSP-30X | SSP-50X | SSP-30XL* | SSP-50XL*

For detailed information regarding Progressive Industries' Warranty and/or information on returning your unit for repair please visit our website at www.progressiveindustries.net.

Technical Support is available 7 Days a Week!

ProgressiveIndustries.net | Technical Support 919-267-6964

Congratulations!

Thank you for your new Progressive Industries purchase. We take great pride in the quality and workmanship of our Made in the USA products and trust you will be pleased with your purchase. But should you experience a problem with our product(s) or if you are missing any parts **please contact Progressive Industries directly** and we'll do everything in our power to assist you.



Specializing in products
proudly made in the USA!

Our Customer Service Team is excellent and we'd like to prove it to you; therefore **DO NOT** return your product to the retailer/vendor where purchased. Simply give us a call because we can and will help you!

919-267-6964

Call us Monday - Friday 9 a.m. - 5 p.m. EST

OPSSP-0717

Progressive Industries, Inc.
1020 Goodworth Drive
Apex, NC 27539

ProgressiveIndustries.net

919-267-6959

Sales@progressiveindustries.net

919-267-6948

Info@progressiveindustries.net

919-267-6964

Tech@progressiveindustries.net

Tech Support is available 7 days a week with limited support evenings, weekends & holidays.

