

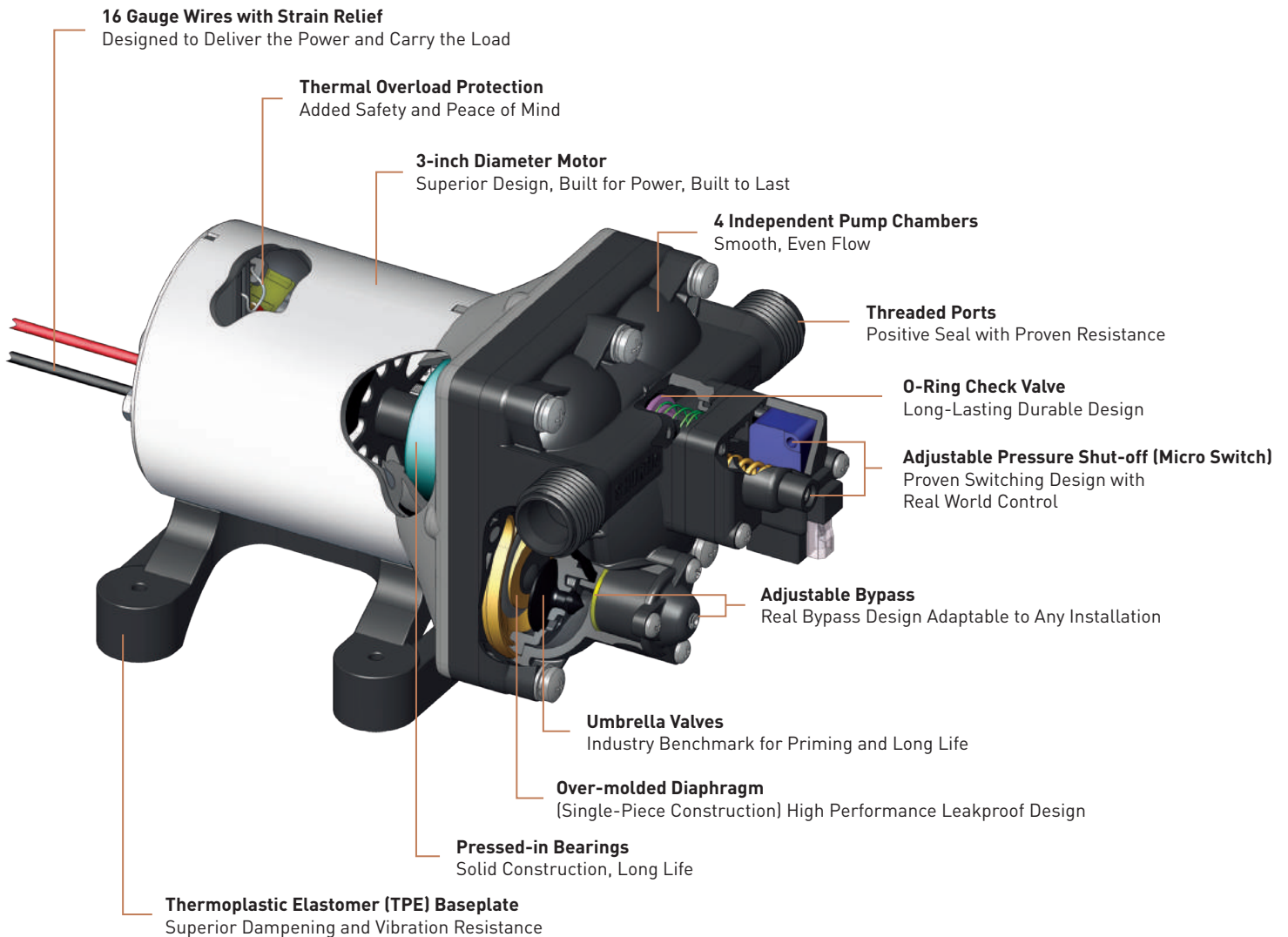
FRESH WATER PUMPS

REVOLUTION™ 4008 SERIES PUMPS



Name	Model # OEM/Aftermarket	Voltage	Dimension	Flow Rate	Amps (Max.)	Shut-Off Pressure
Shurflo Revolution™ Pump (A)	4008-101-A65 (4008-101-E65)	12 VDC	8.1" x 4.9" x 4.3" [206 x 125 x 110mm]	3 GPM [11.4 LPM]	7.5	55 PSI [3.7 BAR]
Shurflo Revolution™ Pump (A)	4008-131-A65 (4008-131-E65)	24 VDC	8.1" x 4.9" x 4.3" [206 x 125 x 110mm]	3 GPM [11.4 LPM]	4	55 PSI [3.7 BAR]
Shurflo Revolution™ Pump (A)	4028-100-A54 (4028-100-E54)	12 VDC	8.1" x 4.9" x 4.3" [206 x 125 x 110mm]	2.3 GPM [8.7 LPM]	5	50 PSI [3.4 BAR]
Shurflo Revolution™ Pump (B)	4008-171-A65 (4008-171-E65)	115 VAC	8.9" x 4.9" x 4.2" [225 x 125 x 106mm]	3 GPM [11.4 LPM]	1	55 PSI [3.7 BAR]

The Shurflo Revolution™ fresh water pump design was created with a unique one-piece diaphragm and internal by-pass, assuring long life and top performance in all plumbing systems. The quality reputation of Shurflo is built on the reliability and dependability of every pump we build. The Revolution™ fresh water automatic demand pump is quiet, thermally protected and can run dry without damage. Mounts in any position.

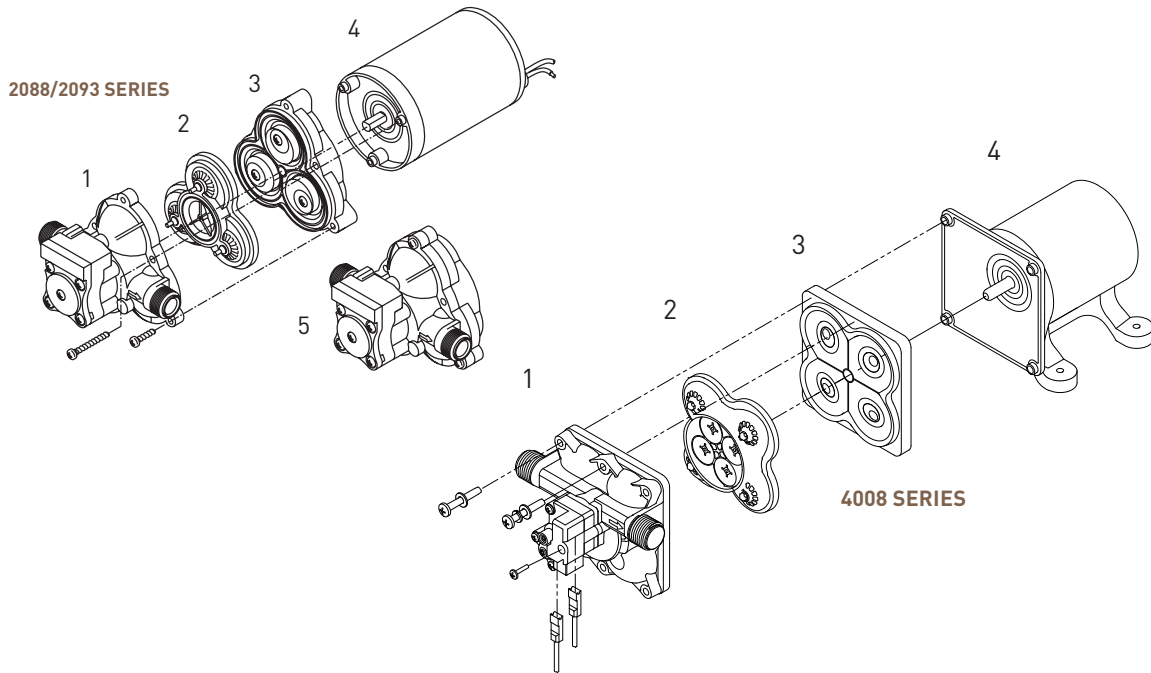


PUMP REPAIR AND REBUILD KITS

Shurflo pumps have set the standard for RV performance and reliability. To keep that performance and reliability at its peak, Shurflo offers a wide range of kits for bench and field repair of its products. For detailed listings of individual part numbers, refer to Shurflo pricing guides and repair manuals. This overview indicates the type of kits available.

2088 / 2093 SERIES

Name	Model # OEM/(Aftermarket)	Upper Housing	Valve Assembly	Drive Assembly	Motor	Pump Head Kit	Check Valve
		1	2	3	4	5	Not Shown
Premium Plus Pump	2088-453-144 (2088-453-444)	94-231-20	94-232-06	94-238-04	94-11-173-01	94-236-08	94-237-00
Classic™ Pump	2088-422-144 (2088-422-444)	94-231-20	94-232-06	94-238-03	94-11-261-00	94-236-21	94-237-00
Whisper King™ Classic Pump	2093-204-113 (2093-204-413)	94-231-24	94-232-06	94-238-05	94-11-192-00	94-236-05	94-237-00
Standard Pump	2088-473-143 (2088-473-443)	94-231-24	94-232-03	94-238-04	94-11-142-10	94-236-08	94-237-00
Park Model	2088-492-144 (2088-492-444)	94-231-20	94-232-04	94-238-03	94-11-150-10	94-236-21	94-237-00



4008/4028 SERIES

Name	Model # OEM/(Aftermarket)	Upper Housing	Valve Assembly	Drive Assembly	Motor	Pump Head	Pump Head Kit	Switch
		1	2	3	4	1, 2, 3	Not Shown	Not Shown
Revolution™ 12 VDC	4008-101-A65 (4008-101-E65)	94-800-00	94-800-01	94-800-02	94-11-302-00	94-800-04	94-800-03	94-800-05
Revolution™ 24 VDC	4008-131-A65 (4008-131-E65)	94-800-00	94-800-01	94-800-02	94-11-303-00	94-800-04	94-800-03	94-800-05
Revolution™ 12 VDC	4028-100-A54 (4028-100-E54)	94-802-00	94-800-01	94-802-02	94-11-302-00	94-800-14	94-800-03	94-802-06
Revolution™ 115 VAC	4008-171-A65 (4008-171-E65)	94-800-00	94-800-01	94-800-02	94-11-306-00	94-800-04	94-800-03	94-800-05