

Introduced in 2009, our In-Wall® Slide-Out System has revolutionized the RV industry. All motors and mechanics are located in the slide walls and the patented aircraft-quality worm rail provides smooth and efficient slide-out movement.



320500



120639



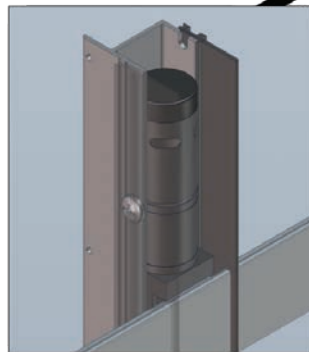
247768



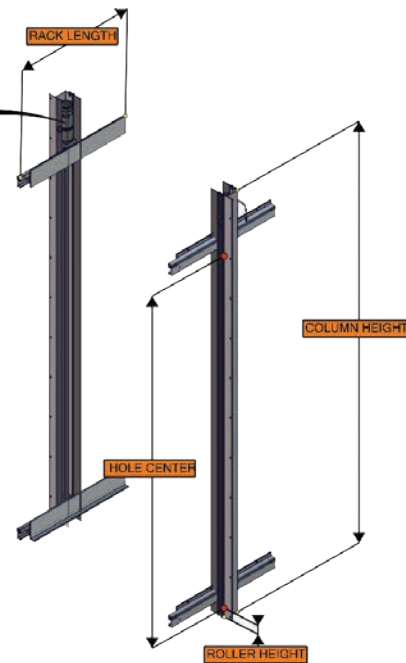
236575



211852



In-Wall Slide-Out Diagram



Slide-Out System

part no.	description
236575	In-Wall Slide Motor
211852	In-Wall Slide Controller V-Sync2
120639	Interior Switch & Plate
320500	J38 Roller for In-Wall Slide-Out

part no.	description
247768	15' Wiring Harness
229755	20' Wiring Harness
238991	25' Wiring Harness
229756	30' Wiring Harness
238992	35' Wiring Harness

SLIDE-OUTS