



## Electric Step Improvements

### IMGL

Integrated Motor/Gear Box/Linkage offers improved performance and longer life.

### Improved Motor

40% more motor torque gives step a strong lock-out and solid feel.

### Improved Gearbox

Fully-sealed dual ball bearing improves efficiency and requires no maintenance. Case halves seal to keep consistent alignment and protect gear from the elements.

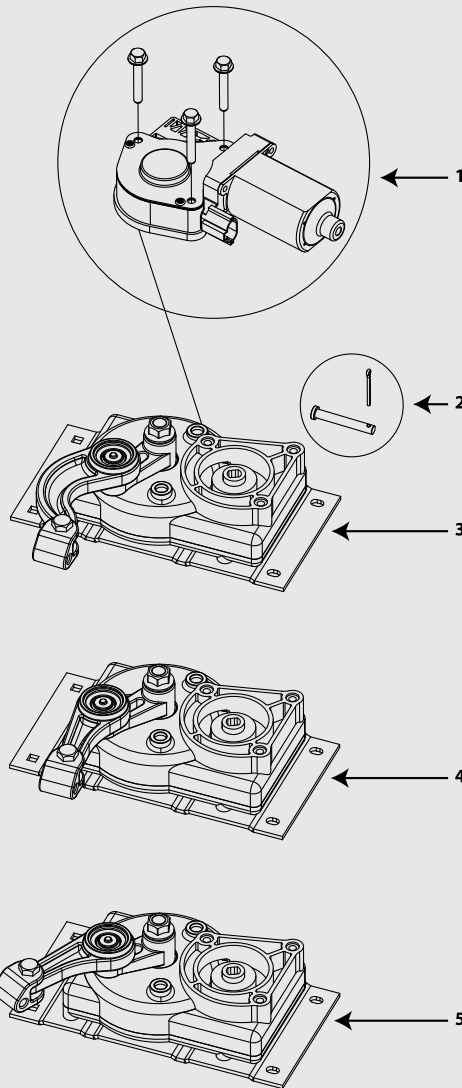
### Improved Linkage

Investment cast zinc-plated steel linkage assembly is strong and more resistant to corrosion. The brass spherical outer cage hardened ball in the linkage is stronger, wears longer and will not oblong.

### Improved Control Unit Logic

The 9510 Control Unit keeps the step open when the door is open. Step can be locked in the extended position, but cannot be locked in the retracted position. Automatic ignition override makes step follow the door.

## MOTOR ASSEMBLY DRAWING AND PARTS KEY NUMBERS



### Replacement Parts Kits for Steps Series

22, 23, 30, 32, 33, 34, 35, 36, 38 and 40

parts key #	description	replacement kit part no.
1,2,3	"A" Linkage IMGL & Control Unit	379145
3	"A" Linkage Gearbox	379160
1	Step Motor Only	379147
2	Pin & Clevis Kit	379178

### Replacement Parts Kits for Steps Series 28, 31, 37 and 39

28, 31, 37 and 39

parts key #	description	replacement kit part no.
1,2,4	"B" Linkage IMGL & Control Unit	379769
4	"B" Linkage Gearbox	379161
1	Step Motor Only	379147
2	Pin & Clevis Kit	379178

### Replacement Parts Kits for Steps Series 26

parts key #	description	replacement kit part no.
1,2,5	"C" Linkage IMGL & Control Unit	379801
5	"C" Linkage Gearbox	379162
1	Step Motor Only	379147
2	Pin & Clevis Kit	379178

Replacement parts for older motor/control combinations are the same as for steps fitted with the IMGL and 9510 Control. IMGL and 9510 Control require a 'NORMALLY OPEN' door switch to operate correctly. Replacement switches included in kit.



379145 for steps with 'A' linkage



379769 for steps with 'B' linkage



379801 for steps with 'C' linkage