

ELITE™ SERIES ABOVE-BED GOOSENECK HITCH



- Rated for 25,000 lbs. capacity
- 2-5/16" high strength zinc plated ball
- Specifically designed for the Professional tower who employs both fifth wheel and gooseneck trailers
- Utilizes the same vehicle specific under-bed rail kit system as the Elite fifth wheel
- Above-Bed Gooseneck can be easily removed for unobstructed use of the truck bed
- Weather resistant plastic covering provides protection from the elements and aesthetic appeal
- Built-in chain bracket to accommodate safety chain



Part Number	Description
30845	25K Elite Series Gooseneck
Replacement Part	
58419	Service Kit Adapter for Signature Series Fifth Wheels & Goosenecks when used on Elite Rail Kits (#30126 & #30868) & Ford OEM Rail Kits

Note: Will not fit trucks with beds shorter than 6' in length. Will not fit trucks with flareside/steppside.



20K FIFTH WHEEL DROP-IN FOR RAM 2500 HD AND 3500 HD



- 20,000 lbs. capacity / 5,000 lbs. pin weight capacity
- 14-1/4" – 18" vertical adjustment
- Direct fit for RAM trucks with OE tow package
- Built-in handles for easy, safe installation and removal
- Built with Elite Series fifth wheel head
- SAE J2638 Compliant

Part Number	Description
30160	20K Fifth Wheel Drop-In for RAM 2500 HD and 3500 HD with Factory Installed OE Rail System
Replacement Parts	
30863	Center Section for RAM Drop-In
30864	Base Arches for RAM Drop-In
117300	Elite Series Fifth Wheel Head Kit



RAIL KIT MOUNTING ADAPTERS



- SAE J2638 Compliant
- The robust Reese adapter will not touch or scratch the truck bed
- Uses the fast and secure Reese patented latching system
- Built-in handles for safe, easy installation and removal

Part Number	Description	Gross Total Weight Capacity	Pin Weight Capacity
30156	Rail Kit Mounting Adapter for Ford OEM and Elite Series Under-Bed Rail Kits, Works with any 15K, 16K or 20K Standard Fifth Wheel Hitch	20,000 lbs.	5,000 lbs.
30154	Rail Kit Mounting Adapter for Drop-In Ram 2500 HD and 3500 HD with Factory Installed OE Rail System, Works with any Standard ISR Fifth Wheel Hitch up to 25K	25,000 lbs.	6,500 lbs.

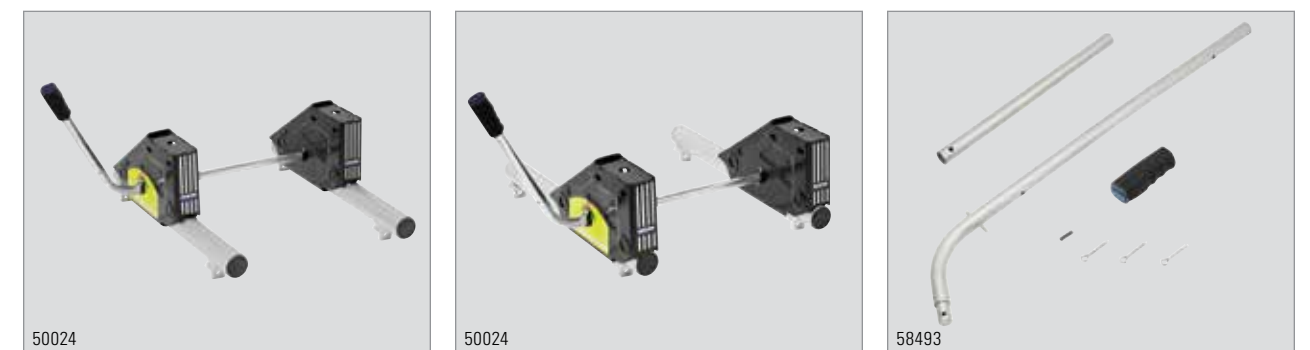


ROUND TUBE SLIDER



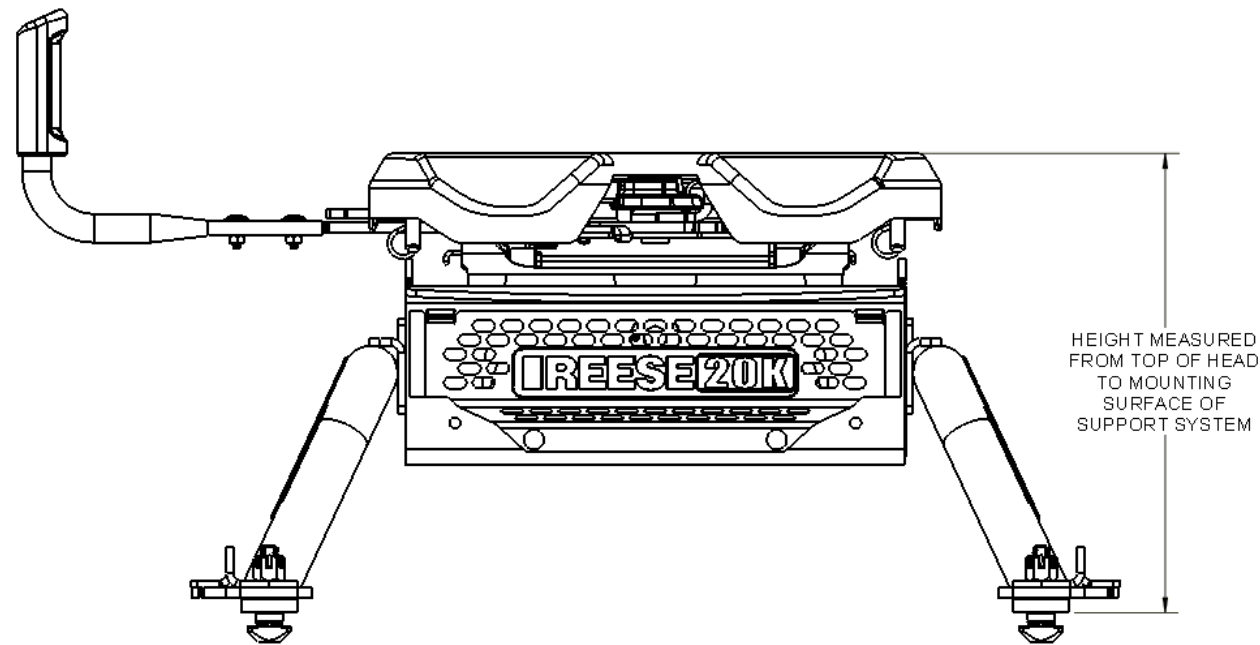
- Up to 20,000 lbs
- 10" travel fore-and-aft
- Slider system re-engineered to be the best in the industry
- Current slider systems expanded to give true ease and precision
- Contoured rollers float from side to side to accommodate mounting systems that may not be fully square
- Embossed roller supports for low friction and longer wear
- Forged mounting feet for wide consistent attachment to rails
- Updated pin mounting holes to better align with the current rail kits and reduce play
- Plated rails hold up longer for extended wear
- SAE J2638 Compliant. Based on heavy duty, accelerated life cycle criteria developed by SAE for fifth wheel and gooseneck. SAE J2638 is a fatigue and static requirements of new European style test of 900,000 cycles
- New customized grip

Part Number	Description
50024	Round Tube Slider
Replacement Parts	
58493	Round Tube Slider Handle, Grip, Roll Pin and Cotter Pins



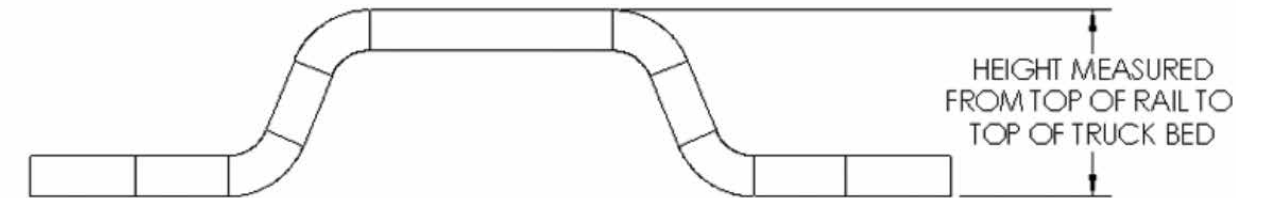
FIFTH WHEEL HITCH VERTICAL ADJUSTMENT

Part Number	Description	Minimum	Maximum
30047	16K	13-1/2"	17"
30093	16K	12-1/2"	16-1/2"
30075	16K with Round Tube Slider	15-1/2"	17-3/4"
30051	16K with Square Tube Slider	14 3/4"	17"
30094	16K with Square Tube Slider	14"	16-3/4"
30142	18K Elite	14-1/2"	18-1/4"
30144	18K Elite with Slider	16-1/2"	19"
30890	20K M5	14"	20"
30081	20K	13-1/4"	17"
30119	20K	13-1/2"	17"
30083	20K with Round Tube Slider	15-1/4"	17 3/4"
30084	20K with Square Tube Slider	14-3/4"	17-1/4"
30121	20K with Square Tube Slider	14-3/4"	17-1/4"
30160	20K Ram Drop In	14-1/4"	18"
30033	22K	13"	17"
30862	25K	13-1/4"	16-3/4"
30143	25K Elite	14-1/2"	17"
30871	26.5K Elite	15"	17-1/2"
30054	30K Low Profile	9-1/2"	12-1/2"



FIFTH WHEEL MOUNTING RAIL HEIGHT

Part Number	Description	Height
58058	10 Bolt In Board Rail	1"
30153	10 Bolt Out Board Rail	1-3/4"
30126	Elite Rail Kit, Ford	0"
30868	Elite Rail Kit, GM	0"
30852	Elite Rail Kit, Dodge	0"



FIFTH WHEEL RAIL KIT ADAPTER HEIGHT

Part Number	Description	Height
30156	Ford OE / Elite Rail Kit Adapter	3-1/4"
30154	RAM OE Rail Kit Adapter	2-3/4"

