



UC1000 Universal Controller



Makes the
KING Quest Satellite Antenna System
compatible with

DIRECTV®

DISH®

Bell TV™

Please read the
“BEFORE YOU START” section
on the inside of this cover
before using the UC1000 Controller.



11200 Hampshire Avenue South, Bloomington, MN 55438
PH 952.922.6889 || FAX 952.922.8424 || kingconnect.com

BEFORE YOU START

**PLEASE READ ALL OF THE INFORMATION ON THIS PAGE
BEFORE USING YOUR UC1000 CONTROLLER.**

Complete these five sections to start watching TV!

- 1 CONNECTIONS
- 2 ALARM CONFIGURATION
- 3 ANTENNA CONFIGURATION
- 4 RECEIVER CONFIGURATION
- 5 OPERATION

For troubleshooting, second receiver use and warranty information please visit our website at www.kingconnect.com/support.

IMPORTANT! DISH CUSTOMERS ONLY!

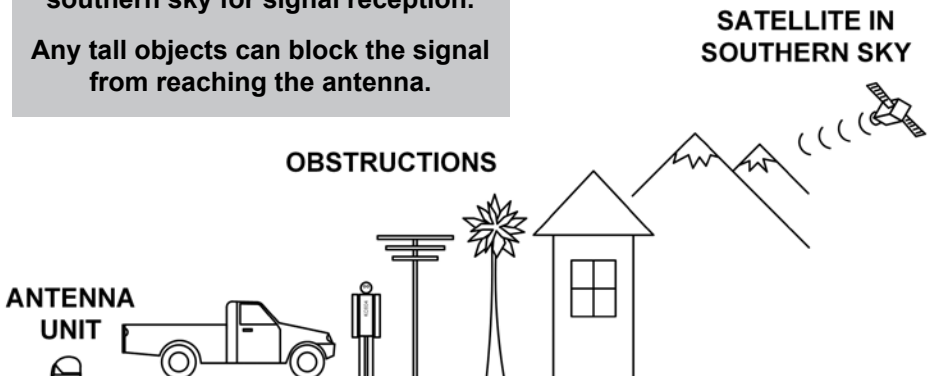
If you have a DISH model ViP®211z, ViP211k, ViP211 or 411 single tuner HD receiver, you can use the simplified KING Tailgater® user interface on your receiver.

Complete sections 1 and 2 and when you get to section 3, ANTENNA CONFIGURATION, choose Tailgater Mode.

IF USING TAILGATER MODE, DO NOT USE SECTIONS 4 AND 5. Instead, turn on your TV, receiver and controller and follow the on-screen instructions.

The antenna unit requires a “direct line of sight” to the satellites in the southern sky for signal reception.

Any tall objects can block the signal from reaching the antenna.



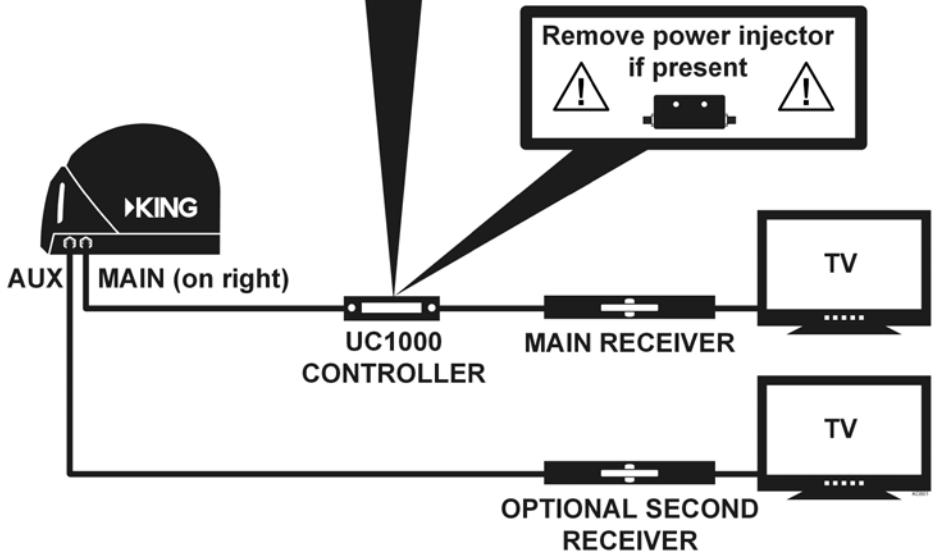
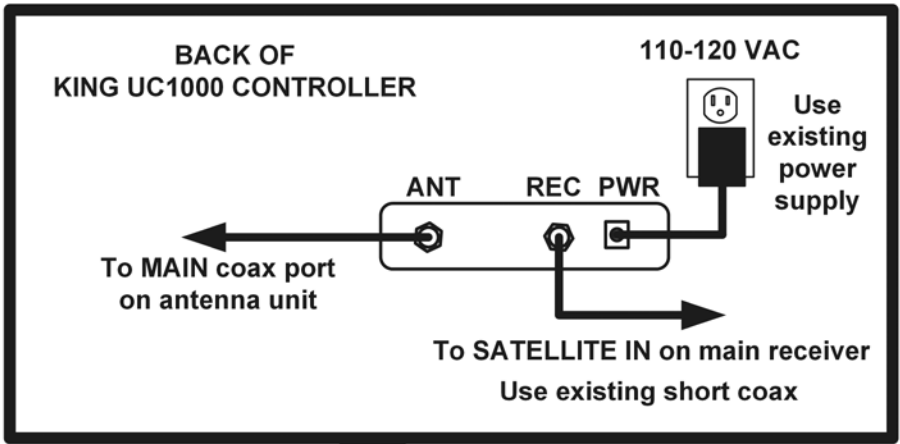
IMPORTANT!



Never use the UC1000 Controller in combination with the power injector.



If your current KING Quest system uses a power injector, remove and replace it with the UC1000 Controller.



TVs, receivers, second receiver coax cable and TV to receiver cables all sold separately.

This unit is shipped from the factory with the alarm feature in the ON condition. If you wish to have the alarm in the ON condition, you can skip this section and go to section 3. To disable the alarm, follow the instructions below.

1. Press **POWER** to turn on the controller. Wait for the lights to stop flashing and for the **COAX CONNECTION** light to remain on.
2. Simultaneously press and hold **POWER** and **SCAN** for five seconds. Controller begins beeping.
 - Single Beep (beep...beep...beep) Alarm is **OFF**.
 - Double Beep (beep beep...beep beep) Alarm is **ON**.
3. Press and release **SCAN** to toggle between the on and off conditions. Beep pattern will change to indicate new condition.
4. When alarm is in desired condition, press and hold **SCAN** for 5 seconds to save in memory.

COAX CONNECTION light will turn solid and **SCAN PROGRESS** lights will stay off.

5. Press **POWER** to turn off the controller. Go to section 3.

ALARM OPERATION

If the coax cable is disconnected from the antenna unit or the controller while the system is turned on or in standby mode, the controller will sound an audible alarm.

To turn off the alarm when it is sounding, press **POWER** until the controller turns off.

You can change the alarm condition at anytime by following the steps above.

The KING UC1000 Controller is factory preset for **DISH HD and SD** (satellites 110, 119 and 129).

If this is your desired service option, you do not need to configure your antenna. Go to section 4.

If you wish to use a different DISH service option, or if you have DIRECTV or Bell TV service, you will need to reconfigure the antenna as shown below.

1. Press **POWER** to turn on the controller. Wait for the lights to stop flashing and for the **COAX CONNECTION** light to remain on.
2. Press and hold **SCAN** for five seconds. The **COAX CONNECTION** light and the **SCAN PROGRESS** lights that indicate the currently selected service will begin flashing.
3. Press **SCAN** repeatedly to scroll thru the available service options.
4. When the correct lights turn on to show your desired satellite configuration, press and hold **SCAN** for five seconds to save in memory.

All **SCAN PROGRESS** lights will turn off and the **COAX CONNECTION** light will stop flashing and remain on.

5. Press **POWER** to turn off the controller. Go to section 4.

SATELLITE SERVICE CHART

Service Options	Satellites	L1	L2	L3	L4
DIRECTV SD	101	●	○	○	○
DIRECTV SD with Locals	101, 119	●	●	○	○
DISH SD	110, 119	●	○	●	○
DISH HD and SD	110, 119, 129	●	●	●	○
DISH HD and SD Alternate	61.5, 110, 119	●	○	●	●
BELL TV SD	91	○	●	○	○
BELL TV HD and SD	82, 91	○	●	●	○
TAILGATER MODE	110, 119, 129	○	●	●	●

● = ON ○ = OFF

SCAN PROGRESS ○ ○ ○ ○
(On front of Controller)

DIRECTV RECEIVER CONFIGURATION

1. In the receiver's satellite set-up menu screens, change the switch and dish type settings to:

DIRECTV SD

Switch Type: 02:Multiswitch • Dish Type: 01: 18" Round

Older receivers: choose round dish-1 satellite

DIRECTV SD with Locals

Switch Type: 02:Multiswitch • Dish Type: 02: 3-LNB (18 x 20")

Older receivers: choose oval dish-2 satellites

If your receiver does not offer one of these settings, call KING at (952) 922-6889 ext. 173 for assistance.

2. Go to section 5.

The KING Quest will not work with SWM only receivers.

For receiver compatibility and use of a second receiver, visit www.kingconnect.com/support.

DISH AND BELL TV RECEIVER CONFIGURATION

DISH only: For automatic satellite switching, KING recommends using a DISH model 311 receiver for **DISH SD**. For **DISH HD and SD**, you can use receiver models ViP211z, ViP211k, ViP211, and 411, but we highly recommend using Tailgater mode with these receivers for simplified operation with the receiver's built in Tailgater interface (see section 3 to choose Tailgater Mode).

DISH and Bell TV: If you do not have a clear view of the satellites, the switch will not load correctly.

The SW21 and SW64 switches are a receiver software configuration that is loaded into the receiver after successfully running a check switch test with the dish locked on and configured for the appropriate service.

This one time procedure will not need to be repeated after successful installation, unless:

- a) check switch test is run again while the receiver is connected to a home dish system.
- b) check switch test is run when the receiver is not connected.
- c) you travel outside your coverage area and reconfigure the antenna for a different service.
- d) you are parked in an area where the selected satellites are blocked, but are able to select alternate satellites and get signal.

1. Turn on the TV and satellite receiver.
2. Press **POWER** to turn on the controller.

Wait for the lights to stop flashing and for the **COAX CONNECTION** light to remain on.

3. Press **SCAN**.

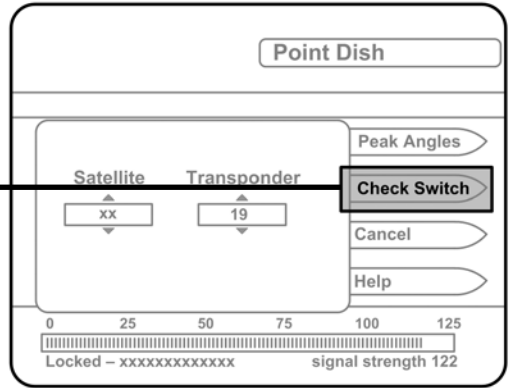
The antenna must locate all of the appropriate satellites before successfully completing the search process so it can properly configure your receiver.

After the antenna acquisition process is complete, specific SCAN PROGRESS lights will turn on to indicate which satellites have been found (see chart in section 5).

If you configured the antenna for DISH HD and SD and the antenna cannot acquire the 110, 119, and 129 satellites, you may need to configure the antenna for DISH HD and SD Alternate (section 3).

4. On the receiver remote, press **MENU**, **6**, **1**, **1**.

5. Highlight “Check Switch.”
- Press **SELECT** on your remote.



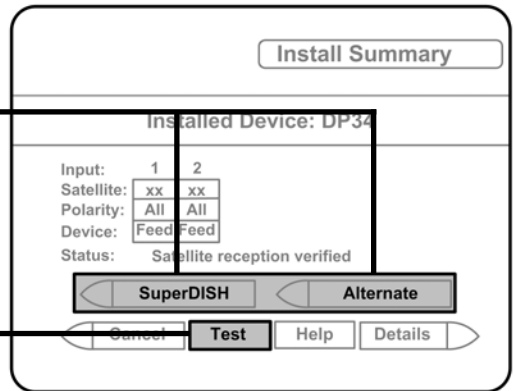
Screen graphics may vary.

NOTE: Some receivers may prompt you to select “Check Switch” a second time to initiate the test.

6. Make sure “SuperDISH” and “Alternate” boxes are **NOT** selected.

Not all receivers will display a screen with options that include “SuperDISH” and “Alternate” boxes.

7. Highlight “Test.”
- Press **SELECT** on your remote.



The receiver will perform a check switch test. This process can take a little while so PLEASE BE PATIENT.

Do not block signal to the antenna during this time. The antenna requires a direct line of sight to the satellite.

8. When test is complete, a screen similar to one on the next two pages should appear. After screen verification, continue with check switch test procedure steps 9-11 located after screen verification graphics.

Because receivers are always changing, screen graphics may vary.

DISH SD

Install Summary

Installed Device: SW21

Input: 1 1 2 2

Satellite: 110 110 119 119

Polarity: **Odd Even Odd Even**

Status: Satellite reception verified

**MUST SHOW
"SW21"**

NO "X"s

DISH HD and SD

Installation Summary

Satellite Input			
Port:	1	2	3
Satellite:	119	110	129
Trans:	OK	OK	OK
Device:	Twin	Twin	Sgl
Status:	Reception Verified		
Switch:	SW64		

SuperDISH Alternate

NO "X"s

**MUST SHOW
"SW64"**

DISH HD and SD Alternate

Installation Summary

Satellite Input			
Port:	1	2	3
Satellite:	119	110	61.5
Trans:	OK	OK	OK
Device:	Twin	Twin	Sgl
Status:	Reception Verified		
Switch:	SW64		

SuperDISH Alternate

NO "X"s

**MUST SHOW
"SW64"**

Bell TV HD and SD

Install Summary

Installed Device: SW21

Input: 1 1 2 2

Satellite:	82	82	91	91
Polarity:	Odd	Even	Odd	Even

Status: Satellite reception verified

superDISH Alternate

Cancel Test Help

MUST SHOW "SW21"
NO "X"s

Bell TV SD

Install Summary

NO SWITCH DETECTED

Input: 1 1 2 2

Satellite:	91	91	x	x
Polarity:	Odd	Even	x	x

Status: Satellite reception verified

superDISH Alternate

Cancel Test Help

"NO SWITCH DETECTED"
or
"INSTALLED DEVICE UNKNOWN"
or
similar

If the indicated results are not obtained, go back to Step 4 and run test again. Contact KING if the check switch fails to load after 4 attempts.

- When the installation summary shows the successful check switch test results, save the settings, exit to the main menu screen and wait for programming to download.
- DISH HD and SD** and **DISH HD and SD Alternate** only: Verify that your saved settings show your desired satellite trio: 61.5, 110, 119 or 110, 119, 129. To switch trios, see section 3.
- Configuration is complete. Go to section 5.

For receiver compatibility and use of a second receiver, visit www.kingconnect.com/support.

DISH CUSTOMERS USING TAILGATER MODE:

If you have a DISH model ViP211z, ViP211k, ViP211 or 411 single tuner HD receiver, you can use the DISH Tailgater user interface on your receiver.

Choose Tailgater Mode in section 3, and after turning on your TV, receiver and controller, follow the on-screen instructions.

1. Make sure your TV and receiver are turned on.
2. Press **POWER** to turn on the controller. Wait for the lights to stop flashing and for the **COAX CONNECTION** light to remain on.
3. Press **SCAN**.
 - The antenna will scan for the selected satellites. The four **SCAN PROGRESS** lights will cycle on and off to indicate a scan is in progress.
 - As satellites are located, the corresponding **SCAN PROGRESS** lights will turn on (see below).
 - When scan is complete, the appropriate lights will be on to show which satellites were found.
 - Wait for the program guide to download and then select your desired channel. Enjoy!

“SATELLITES FOUND” CHART

Service Options	Satellites	L1	L2	L3	L4
DIRECTV SD	101	●	○	○	○
DIRECTV SD with Locals	101, 119	●	●	○	○
DISH SD	110, 119	●	●	○	○
DISH HD and SD	110, 119, 129	●	●	●	○
DISH HD and SD Alternate	61.5, 110, 119	●	●	●	○
BELL TV SD	91	●	○	○	○
BELL TV HD and SD	82, 91	●	●	○	○

● = ON ○ = OFF

SCAN PROGRESS ○ ○ ○ ○
(On front of Controller)

The order of the lights corresponds to the order of the satellites listed.

Simply better, by design.™



Bell TV is an official trademark of Bell Canada.
DIRECTV is a registered trademark of DIRECTV L.L.C.
DISH and Tailgater are registered trademarks of DISH Network L.L.C.
KING is a registered trademark of Electronic Controlled Systems, Inc.
Simply better, by design. is a trademark of Electronic Controlled Systems, Inc.

©2015 KING

21971 Rev B