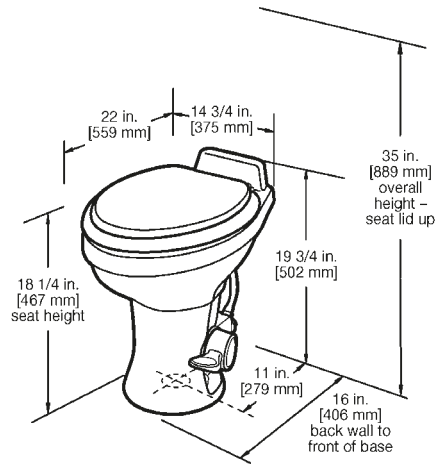


DOMETIC 320 SERIES

- Deep, 100 % vitreous ceramic bowl
- Full-size residential-style wood seat
- Efficient with water at only one pint per flush
- Rim design prevents spills
- Ergonomic foot pedal: press partially to add water, press fully to flush
- Gravity flush



STANDARD HEIGHT - 18" H

| | |
|-----------|------------------------|
| 302320081 | White |
| 302320083 | Bone |
| 302320181 | White, With Hand Spray |
| 302320183 | Bone, With Hand Spray |

LOW PROFILE - 14" H

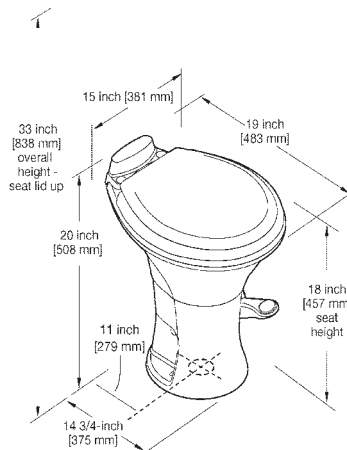
| | |
|-----------|------------------------|
| 302321681 | White |
| 302321683 | Bone |
| 302321781 | White, With Hand Spray |
| 302321783 | Bone, With Hand Spray |

ACCESSORIES

| | |
|-----------|------------------------------|
| 385311719 | Mounting Adapter Kit – White |
| 385311720 | Mounting Adapter Kit – Bone |
| 385311718 | Water Line Extension Kit |
| 385319054 | Hand Spray Kit – White |

DOMETIC 310 SERIES

- Best-in-class gravity flush
- Powerful swirl-jet cleaning action
- Slow-close enameled wood seat improves comfort
- Efficient with water at only one pint per flush
- Ergonomic foot pedal: press partially to add water, press fully to flush
- Gravity flush



STANDARD HEIGHT - 18" H

| | |
|-----------|------------------------|
| 302310081 | White |
| 302310083 | Bone |
| 302310181 | White, with hand spray |
| 302310183 | Bone, with hand spray |

LOW PROFILE- 13 3/4" H

| | |
|-----------|------------------------|
| 302311681 | White |
| 302311683 | Bone |
| 302311781 | White, with hand spray |
| 302311783 | Bone, with hand spray |

ACCESSORIES

| | |
|-----------|---------------------------------|
| 385311719 | Mounting Adapter Kit – White |
| 385311720 | Mounting Adapter Kit – Bone |
| 385311718 | Water Line Extension Kit |
| 385311658 | 310 Seal |
| 385311641 | Water Valve Kit |
| 385312073 | Slow Close Wooden Seat – White* |
| 385312074 | Slow Close Wooden Seat – Bone* |
| 385319054 | Hand Spray Kit – White |

*Case Qty is 2.