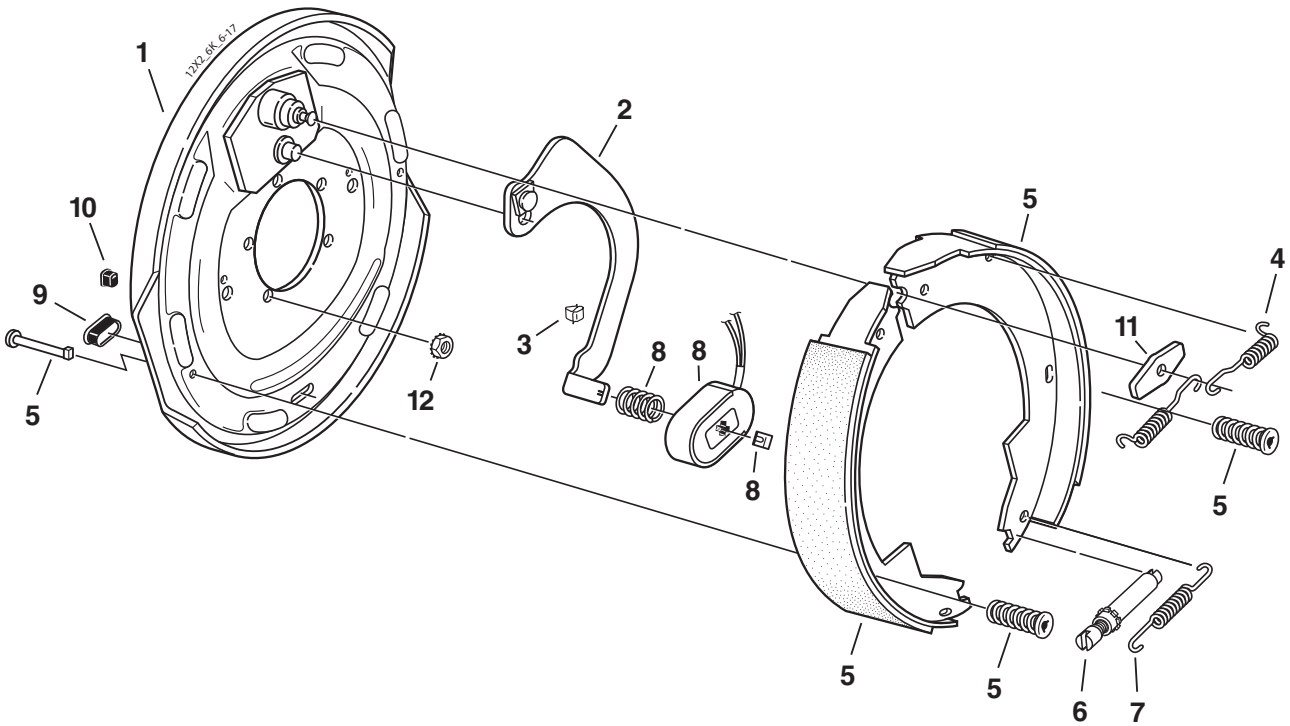


D52, D60 12" x 2" Electric Brake



CSA approved at 6000#/14.2 SLR

4100 - 6000 LBS. CAPACITY



Electric Brake 6000# (CSA 6000#)

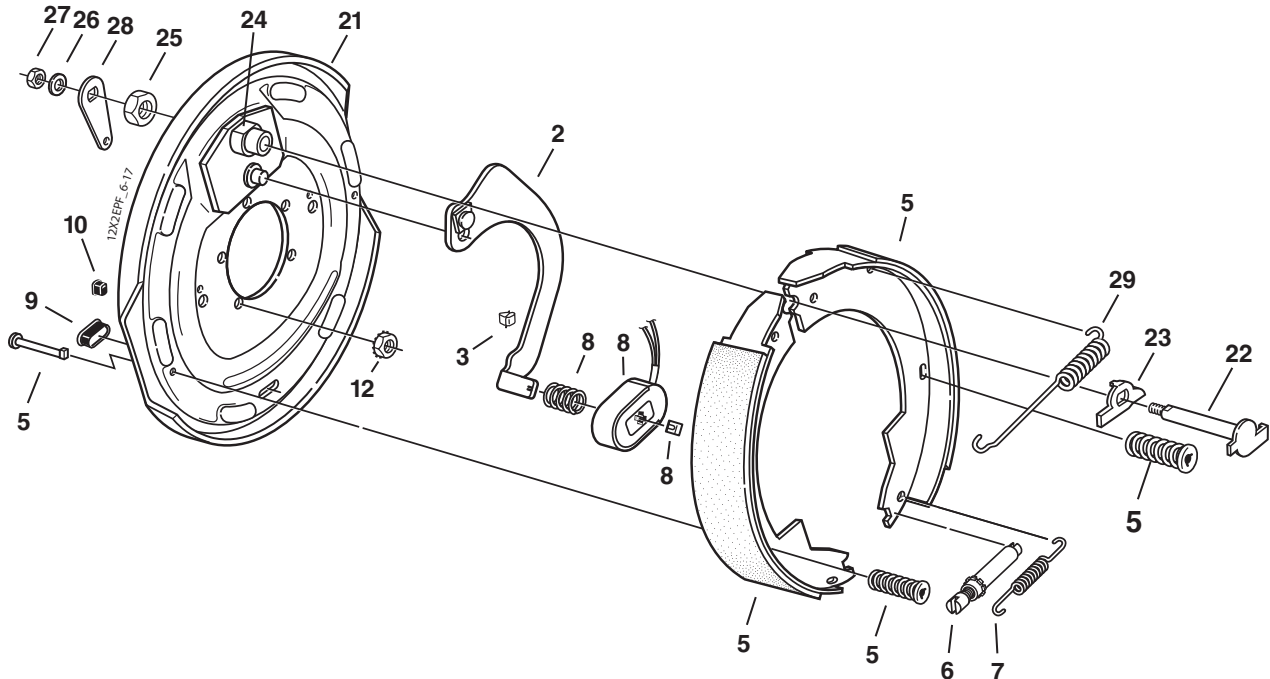
Item	Part No.	Qty/Brk	Description
0	K23-105-00	1	LH Complete Brake Assembly
0	K23-106-00	1	RH Complete Brake Assembly (shown)
1	036-089-10	1	Backing Plate Assembly
2	047-107-05	1	LH Actuating Lever Arm Assembly
2	047-108-05	1	RH Actuating Lever Arm Assembly
3	027-005-00	2	Wire Clip
4	046-009-00	2	Retractor Spring
5	K71-127-00	1	Shoe & Lining Kit Contains: 1 #040-215-00 Primary Shoe & Lining 1 #040-216-00 Secondary Shoe & Lining 2 #049-011-00 Shoe Hold Down Pin #2 2 #046-077-00 Shoe Hold Down Spring & Cup
6	043-004-00	1	Adjuster Assembly
7	046-018-00	1	Adjusting Screw Spring
8	K71-105-00	1	Magnet Kit Contains: 1 #042-149-00 Magnet (white wire) 1 #027-009-00 Magnet Clip 1 #046-080-00 Magnet Spring (before 7/16) 1 #046-175-00 Magnet Spring (after 7/16)
9	046-007-00	2	Adjuster Slot Plug
10	046-016-00	1	Wire Grommet
11	005-067-00	1	Anchor Post Washer
*12	006-193-00	5	Nut Washer Assembly

* Not included with complete brake assembly. Item sold separately.

D52, D60 12" x 2" Electric Brake With Parking Feature



CSA approved at 6000#/14.2 SLR



Electric Parking Brake 6000# (CSA 6000#)

Item	Part No.	Qty/Brk	Description
0	K23-112-00	1	LH Complete Brake Assembly
0	K23-113-00	1	RH Complete Brake Assembly (shown)
2	047-107-05	1	LH Actuating Lever Arm Assembly
2	047-108-05	1	RH Actuating Lever Arm Assembly
3	027-005-00	2	Wire Clip
5	K71-127-00	1	Shoe & Lining Kit Contains: 1 #040-215-00 Primary Shoe & Lining 1 #040-216-00 Secondary Shoe & Lining 2 #049-011-00 Shoe Hold Down Pin #2 2 #046-077-00 Shoe Hold Down Spring & Cup
6	043-004-00	1	Adjuster Assembly
7	046-018-00	1	Adjusting Screw Spring
8	K71-105-00	1	Magnet Kit Contains: 1 #042-149-00 Magnet (white wire) 1 #027-009-00 Magnet Clip 1 #046-080-00 Magnet Spring (before 7/16) 1 #046-175-00 Magnet Spring (after 7/16)
9	046-007-00	2	Adjuster Slot Plug
10	046-016-00	1	Wire Grommet
*12	006-193-00	5	Nut Washer Assembly
20	036-089-08	1	LH Backing Plate Assembly Complete (includes #21-28)
20	036-089-09	1	RH Backing Plate Assembly Complete (includes #21-28)
21	036-089-06	1	LH Backing Plate Assembly
21	036-089-07	1	RH Backing Plate Assembly
22	039-025-00	1	LH Pivot Pin & Cam Sub-Assembly
22	039-026-00	1	RH Pivot Pin & Cam Sub-Assembly
23	039-048-00	1	LH Actuating Cam
23	039-049-00	1	RH Actuating Cam
24	038-068-00	1	Anchor Post & Bushing Sub-Assembly
25	006-047-00	1	Anchor Post Locknut
26	005-041-00	1	Washer
27	006-011-00	1	Pivot Pin Locknut
28	047-070-00	1	Parking Brake Lever
29	046-005-00	1	Retractor Spring

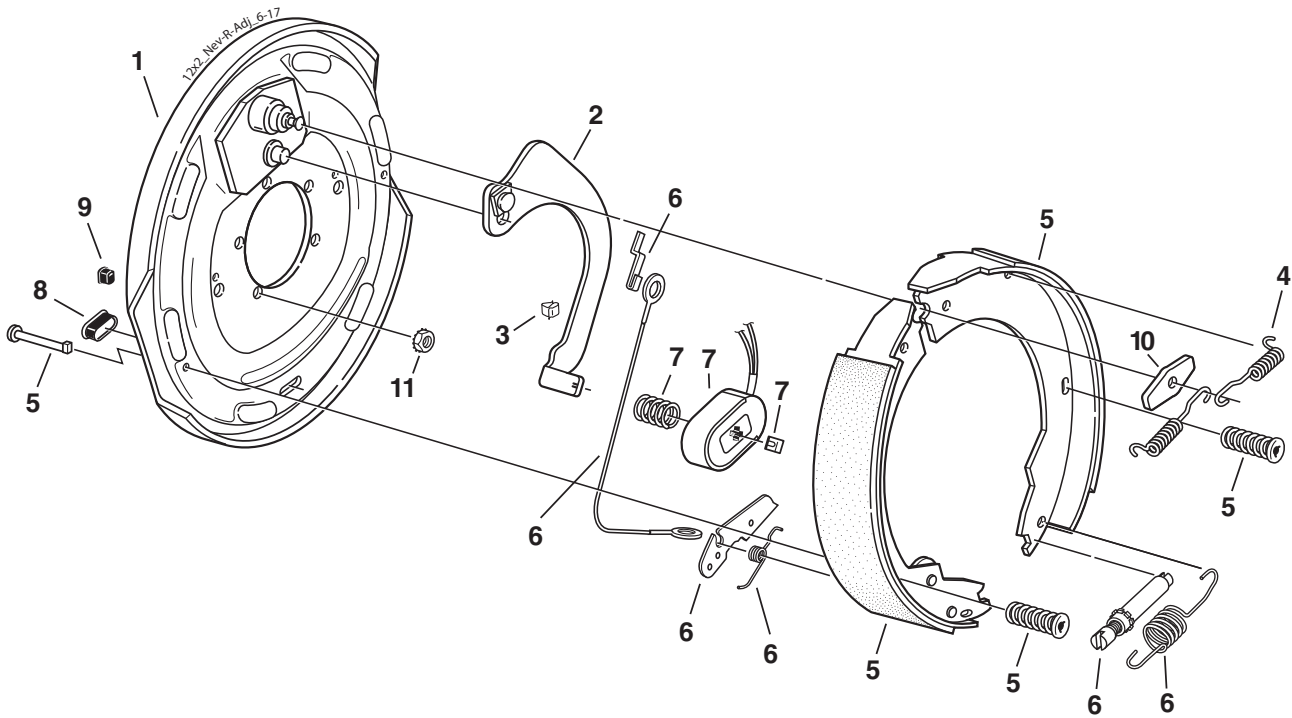
* Not included with complete brake assembly. Item sold separately.

D52, D60 12" x 2" Nev-R-Adjust® Electric Brake



CSA approved at 6000#/14.2 SLR

4100 - 6000 LBS. CAPACITY



Electric Brake 6000# (CSA 6000#)

Item	Part No.	Qty/Brk	Description
0	K23-458-00	1	LH Complete Brake Assembly
0	K23-459-00	1	RH Complete Brake Assembly (shown)
1	036-089-10	1	Backing Plate Assembly
2	047-107-05	1	LH Actuating Lever Arm Assembly
2	047-108-05	1	RH Actuating Lever Arm Assembly
3	027-005-00	2	Wire Clip
4	046-009-00	2	Retractor Spring
5	K71-675-00	1	LH Shoe & Lining Kit Contains: 1 #040-215-00 Primary Shoe & Lining 1 #040-216-01 Secondary Shoe & Lining 2 #049-011-00 Shoe Hold Down Pin #2 2 #046-077-00 Shoe Hold Down Spring & Cup
5	K71-676-00	1	RH Shoe & Lining Kit Contains: 1 #040-215-00 Primary Shoe & Lining 1 #040-216-02 Secondary Shoe & Lining 2 #049-011-00 Shoe Hold Down Pin #2 2 #046-077-00 Shoe Hold Down Spring & Cup
6	K71-679-00	1	LH & RH Brake Adjuster Kit Contains: 2 #046-139-00 Adjusting Screw Spring 1 #046-140-00 LH Lever Spring 1 #046-141-00 RH Lever Spring 1 #048-022-00 LH Adjuster Assembly 1 #048-023-00 RH Adjuster Assembly 2 #071-528-00 Adjuster Cable 2 #071-529-00 Hook for Cable 1 #071-530-01 LH Adjusting Lever 1 #071-530-02 RH Adjusting Lever
7	K71-105-00	1	Magnet Kit Contains: 1 #042-149-00 Magnet (white wire) 1 #027-009-00 Magnet Clip 1 #046-080-00 Magnet Spring (before 7/16) 1 #046-175-00 Magnet Spring (after 7/16)
8	046-007-00	2	Adjuster Slot Plug
9	046-016-00	1	Wire Grommet
10	005-067-00	1	Anchor Post Washer
*11	006-193-00	5	Nut Washer Assembly

* Not included with complete brake assembly. Item sold separately.