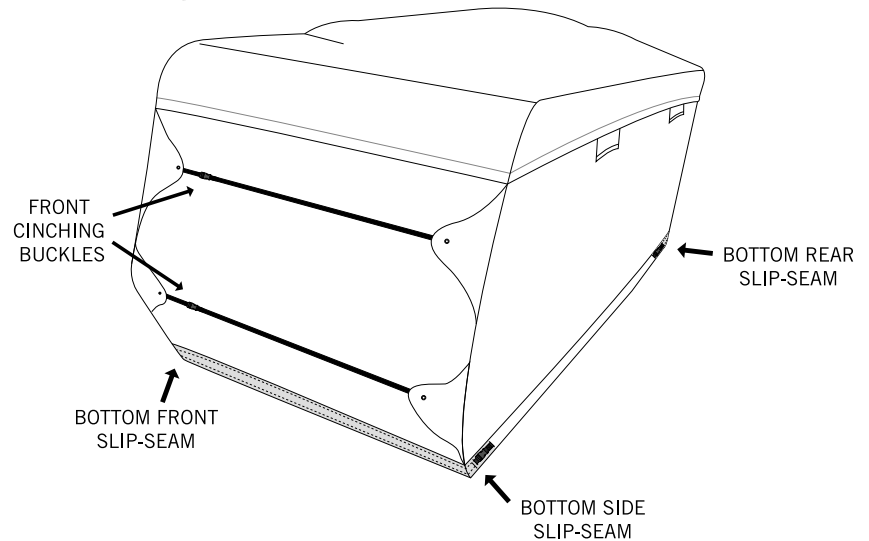


CONTENTS

- ☒ RV Cover
- ☒ Storage Bag
- ☒ Ladder Cap Reinforcement Cover
- ☒ RV Gutter Spout Covers
- ☒ Adhesive Reinforcement Material



PREPPING FOR INSTALLATION

- A.** Ensure that you have purchased the correct size cover for your RV. Visit ADCOprod.com to review sizing. Measure your RV from end to end including bumpers, spare tire and ladder, excluding hitch (where applicable) and mirrors that extend beyond the front of the coach. If you have any doubts, call ADCO at (800) 541-2326 to speak with customer service.
- B.** Clean your RV thoroughly. Otherwise, you run the risk of black streaks.
- C.** Pad all sharp edges on the RV, to include rain gutters (use the included RV Gutter Spout Covers), steps, ladders (use the included ladder cap), and abrasive corners. You will want to cover the ladder cap last so that it's usable during installation.

NOTE: Check with your RV manufacturer as to whether walking on roof is advised. Alternatively, you can use a step ladder.

INSTALLATION

- 1.** Unroll the RV Cover adjacent to your RV. Unwind the straps and buckles.
- 2.** Turn the cover inside out while it's on the ground.
- 3.** Locate the red leading edge. This marks the front of the RV cover.
- 4.** Roll it back up loosely so that the red leading edge is the last part that's not rolled up.
- 5.** Grab the red leading edge in your hand, and climb the ladder.
- 6.** Turn around from the roof and pull the cover up onto the roof (like you are pulling up a fire hose).
- 7.** Walk the cover to the front of the RV, red leading edge still in hand. Toss the front of the cover towards the ground.
- 8.** Begin spreading out the cover over the top of the RV. If it was properly turned inside out, the sides should almost fall into place.
- 9.** Ensure that the sides fall most of the way to the ground – far enough to where you can grab them once standing back on the ground.
- 10.** Begin your descent down the ladder, installing the ladder cap on your way – then pull down the cover over the back of the coach.
- 11.** Before any bottom corners are secured, straighten out the cover on the coach so that it's centered properly. Only then should you secure the bottom corners. Once they are in place, do not make further adjustments or pull the fabric – or you risk tearing the cover.
- 12.** Tighten the Slip-Seam straps and buckles located on both the front and rear of the cover. There is a set of straps and buckles on each side of the bottom of the RV cover.

CONTINUED ON BACK...

INSTALLATION CONTINUED...

- 13.** Adjust the cinching straps and buckles located at the front and rear of the RV Cover. There is a set of straps and buckles on each the front and the rear.
- 14.** Finally, secure the bottom straps and buckles located on the bottom sides of the cover. Cover straps should be moderately tight. Do not over tighten.

ACCESSING ENTRY DOORS...

- A.** Starting from the bottom of the cover, begin rolling up the panel.
- B.** Locate velcro along the top of the cover. Attach bottom velcro to top velcro to hold rolled up panel to allow access to entry doors and slide-outs.

INSTALLING GUTTER SPOUT COVERS...

- A.** Before covering your RV, slide the gutter spout covers over the gutter spouts on your RV to protect your cover from punctures.
- B.** Proceed to cover your RV.

REMOVING THE COVER FROM YOUR RV...

- A.** Disconnect the straps and buckles from the bottom, front and back of the RV.
- B.** Pull the cover off the front and rear corners.
- C.** Climb up the ladder while pulling the cover as you go.
- D.** Carefully walk to the front of the RV, avoiding A/C units and any portion of the cover that's not flat on the roof. Pull the front of the cover up onto the roof.
- E.** Now pull the sides up onto the roof, turning inside out and forming a strip of cover that spans the length of the roof.
- F.** Starting from the rear of the RV, roll the cover up so that the red leading edge is left exposed at the end of the roll. Toss the rolled cover to the ground. The next time you use it, it should be ready to install.