

B&W TURNOVERBALL® GOOSENECK HITCH

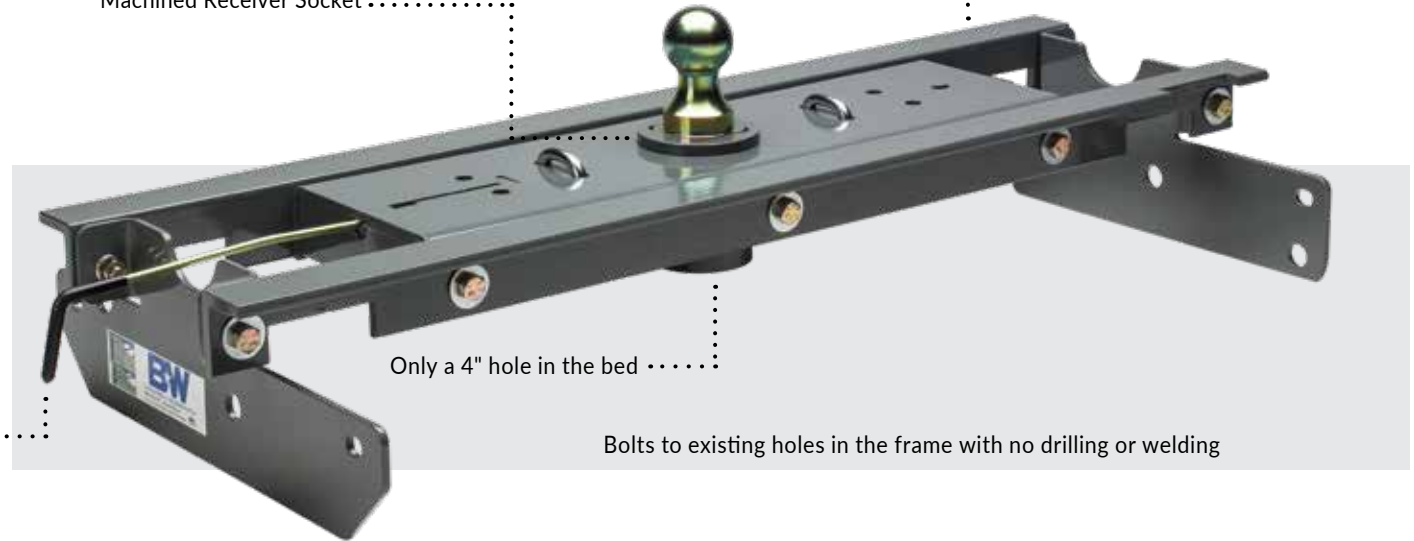
CONVERTS TO A LEVEL BED IN SECONDS

Solid, One-Piece
Machined Receiver Socket

Solid, Machined 2 5/16" Ball

Durable Powder-Coat Finish

Flexible latch pin handle attached to a spring loaded, 5/8" steel locking pin that goes completely through the ball



Only a 4" hole in the bed

Bolts to existing holes in the frame with no drilling or welding

TURNOVERBALL® ACCESSORIES



Kingpin

4" Extender

Eyelet

Inverted Ball

Hitch Plug

3" Ball

Hi-Rise Ball
(1" taller than standard ball)

Companion™
5th Wheel Hitch

Companion™ Slider
5th Wheel Hitch

20,000 LB. GTW
5,000 LB. VTW
DO NOT EXCEED VEHICLE TOW RATINGS
LIMITED LIFETIME WARRANTY

20,000 LB. GTW
5,000 LB. VTW
DO NOT EXCEED VEHICLE TOW RATINGS
LIMITED LIFETIME WARRANTY