

B&W TOW & STOW™

STOWS UNDER THE VEHICLE WHEN NOT IN USE



CLASS IV 10,000 LB. GTW 1,000 LB. VTW DO NOT EXCEED VEHICLE TOW RATINGS LIMITED LIFETIME WARRANTY

Rotate the Ball

To the Desired Size



Adjust the Height

Raise or Lower



Stow the Hitch

Under the Vehicle






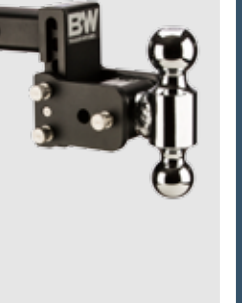
TIRED OF SWITCHING BALL MOUNTS?

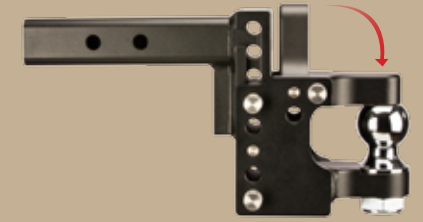


**THE LAST HITCH
YOU'LL EVER NEED!**

B&W TOW & STOW™

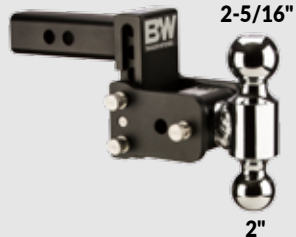
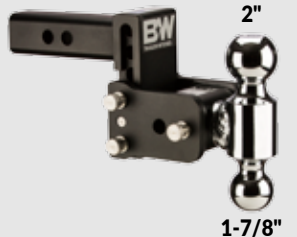
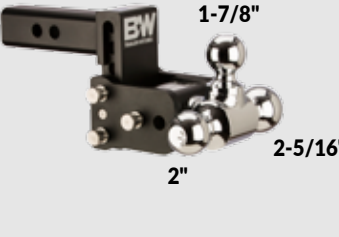
STOWS UNDER THE VEHICLE WHEN NOT IN USE

<p>Model 12 9" Drop 9-1/2" Rise</p> 	<p>Model 10 7" Drop 7-1/2" Rise</p> 	<p>Model 8 5" Drop 5-1/2" Rise</p> 	<p>Model 6 3" Drop 3-1/2" Rise</p> 	<p>AVAILABLE ADJUSTMENTS</p>
--	--	---	---	---




TOW & STOW
WITH DROP DOWN PINTLE


AVAILABLE BALL COMBINATIONS

<p>Dual-ball Combination 2-5/16" 2"</p> 	<p>Dual-ball Combination 2" 1-7/8"</p> 	<p>Tri-ball Combination 1-7/8" 2" 2-5/16"</p> 
---	--	---


Pintle Up
Ready to hook on.






Pintle Down
Ready to tow.



Stowed
Ready to go.



AVAILABLE FINISHES

<p>Licensed Browning Logo</p> 	<p>Black Powder Coat</p> 	<p>Chrome</p> 	<p>AVAILABLE FINISHES</p>
--	---	--	--------------------------------------