



**RV Products Division**

**REPAIR PARTS LIST  
FOR  
482X4A8XX SERIES  
MACH 15**

**(48204A866, 48204A869, 48204A876, 48254A866, 48254A869, 48254A876,  
48254A879, 48264A876, 48264A879)**

---

**WARRANTY INFORMATION**

**PARTS RETURN**

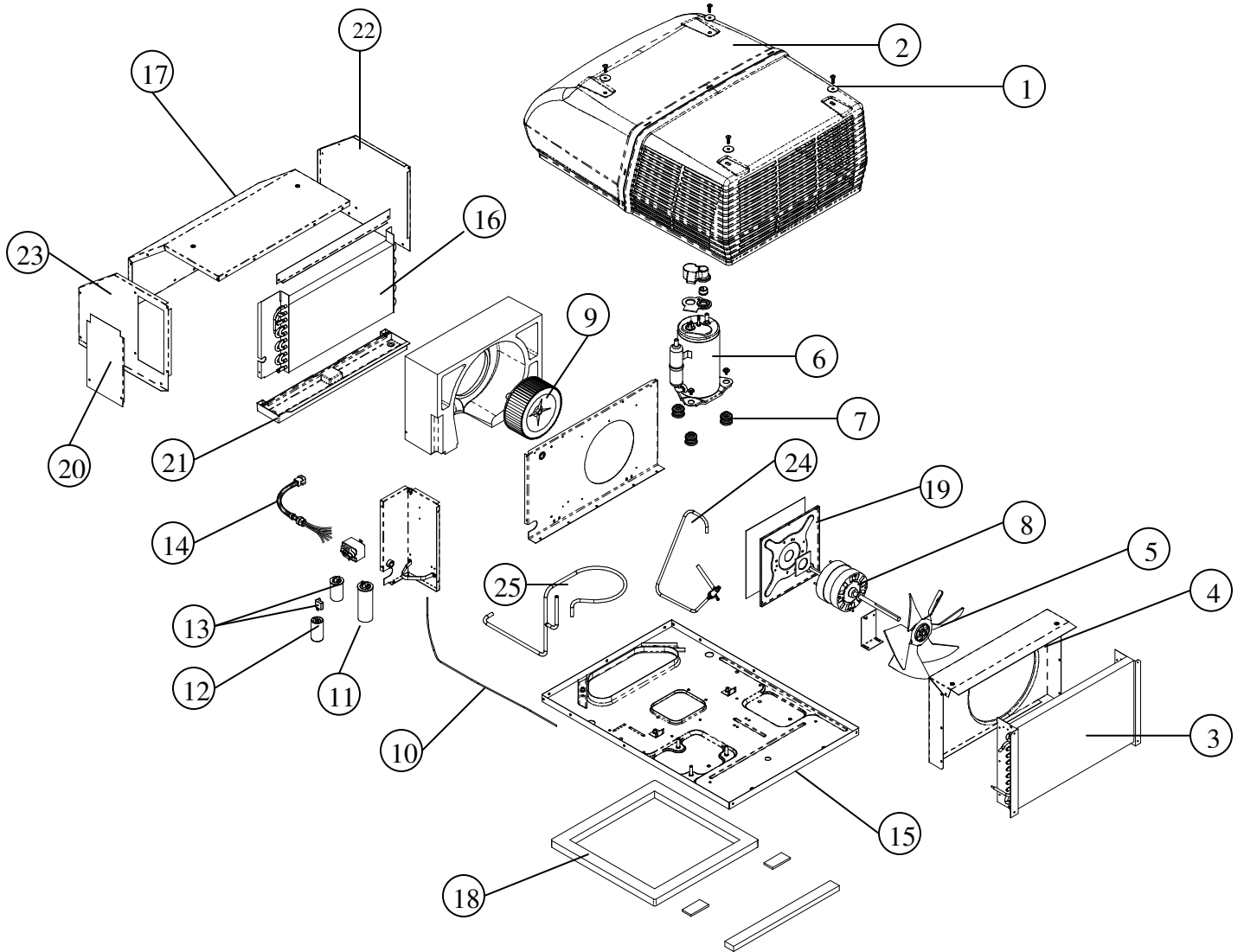
“Air Conditioning” in-warranty parts subject to return to Airxcel, Inc. must be sent prepaid to the following address. Always include your company’s claim or work order along with the Airxcel, Inc. invoice generated from the shipment of the replacement part.

Airxcel, Inc.  
RV Products Division  
Attn: Warranty Return  
3050 N. St. Francis  
Wichita, KS 67219

**WRITTEN CORRESPONDENCE**

All written correspondence (no parts) should be sent to the following address:

Airxcel, Inc.  
RV Products Division  
Dept. 546  
P.O. Box 4020  
Wichita, KS 67204



# 482X4A8XX SERIES



RV Products Division

CODE	USED ON MODELS	PART NUMBER	DESCRIPTION	NO. REQ.
1.	All	6792-5111	Screw Nut & Washer (4 Pkg.)	1
2.	866, 876 869, 879	8335A5261	Shroud (Arctic White/Arctic White)	1
		8335A5291	Shroud (Black/Black)	1
3.	All	1452-1801	Condenser Coil	1
4.	All	6792-1071	Fan Shroud	1
5.	All	6733-3221	Fan Blade (6 Blade, 11 Dia., 40 Degree Pitch, .50 Dia. Bore)	1
6.	All	1450-4039	Compressor (Tecumseh)	1
7.	All	6759-3081	Compressor Mounting Pkg. (3/Pkg.)	1
8.	All	1468-3069	Motor (115V, 60 HZ)	1
9.	All	1472-1091	Impellor	1
10.	All	8335-1351	Cap Tube (Formed)	1
11.	All	1499-5721	Run Capacitor (40 Mfd/370V)	1
12.	All	1499-5461	Fan Capacitor (7.5 Mfd/370V)	1
13.	All	8333A9021	Start Device Pkg. (includes start capacitor and PTCR device)	1
14.	All	48203-3751	Conduit & Wiring Assembly (6 wires)	1
15.	All	8333B1011	Basepan (with foam scroll)	1
16.	All	1452-1521	Evaporator Coil	1
17.	All	8333A5061	Evaporator Cover Assembly with Insulation	1
ns.	All	8335A3841	Filler Pad – Condenser Air Seal	1
18.	All	8332-3301	Gasket Pkg.	1
19.	All	8333-5151	Motor Mount & Shaft Seal Kit	1
20.	All	8333-109	Wirebox Door	1
21.	All	8335A3501	Drain Pan	1
22.	All	8333-505	Side Panel Right with Insulation	1
23.	All	8333-507	Side Panel Left with Insulation	1
24.	All	8632A133	Suction Line	1
25.	All	48204-131	Discharge Line	1
ns	All	8333B1551	Shroud Bracket	3
ns	All	1450-0521	Overload	1

ns = not shown

## SPECIAL ORDER PARTS:

**NOTE:** All parts with three digit suffix numbers are “Special Order” Parts. These parts are subject to factory availability and require extra time for delivery.

**NOTE:** “A” Models will be equipped with the Top-Down Mounting Kit. Heat Strip Assemblies CANNOT be used with the Top-Down Models.