



**RV Products Division**

## **REPAIR PARTS LIST FOR 48203-8866 SERIES**

---

### **WARRANTY INFORMATION**

#### **PARTS RETURN**

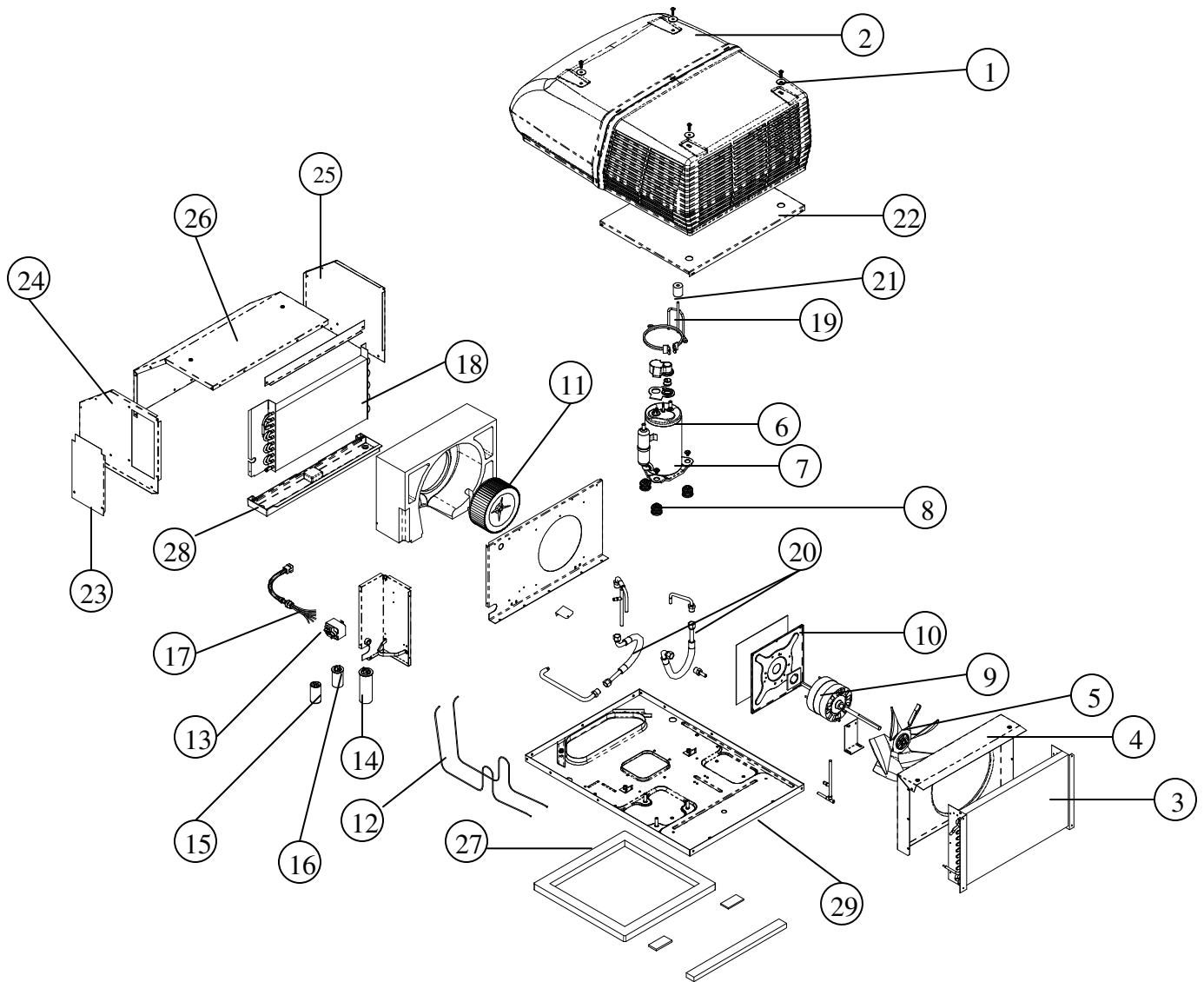
“Air Conditioning” in-warranty parts subject to return to Airxcel, Inc. must be sent prepaid to the following address. Always include your company’s claim or work order along with the Airxcel, Inc. invoice generated from the shipment of the replacement part.

Airxcel, Inc.  
RV Products Division  
Attn: Warranty Return  
3050 N. St. Francis  
Wichita, KS 67219

#### **WRITTEN CORRESPONDENCE**

All written correspondence (no parts) should be sent to the following address:

Airxcel, Inc.  
RV Products Division  
Dept. 546  
P.O. Box 4020  
Wichita, KS 67204



**48203-8866  
SERIES**



**RV Products Division**

<b>CODE</b>	<b>USED ON MODELS</b>	<b>PART NUMBER</b>	<b>DESCRIPTION</b>	<b>NO. REQ.</b>
1.	All	6792-5111	Screw Nut & Washer (4 Pkg.)	1
2.	All	8335A5261	Shroud (Arctic White/Arctic White)	1
3.	All	1452-1391	Condenser Coil	1
4.	All	8533A302	Fan Shroud	1
5.	All	6733-3221	Fan Blade (6 Blade, 11 Dia., 40 Degree Pitch, .50 Dia. Bore)	1
6.	All	1450-0521	Overload	1
7.	All	1450-4039	Compressor (Tecumseh)	1
8.	All	6759-3081	Compressor Mounting Pkg. (3/Pkg.)	1
9.	All	1468-3179	Motor (115V, 60 HZ)	1
10.	All	8333-5151	Mount & Seal Kit	1
11.	All	1472-1091	Impellor	1
12.	All	7473-1351	Cap Tube (Formed)	1
13.	All	1497-9051	Start Relay	1
14.	All	1499-5721	Run Capacitor (40 Mfd/370V)	1
15.	All	1497-0871	Start Capacitor (88-108 Mfd/370V)	1
16.	All	1499-5461	Fan Capacitor (7.5 Mfd/370V)	1
17.	All	48203-3751	Conduit & Wiring Assembly (6 wires)	1
18.	All	1452A155	Evaporator Coil	1
19.	All	48203-301	Compressor Stabilizer	1
20.	All	48203-302	Flexible Refrigeration Hose	2
21.	All	6770-3011	Compressor Snubber	1
22.	All	7473A108	Top Brace	1
23.	All	8333-109	Wirebox Door	1
24.	All	8533-504	Side Panel Left with Insulation	1
25.	All	8533-505	Side Panel Right with Insulation	1
26.	All	8533-306	Evaporator Cover Assembly with Insulation	1
27.	All	8332-3301	Gasket Pkg.	1
28.	All	8335A3501	Drain Pan	1
29.	All	8533B301	Basepan Assembly with Foam Scroll	1
ns.	All	8333C5161	Spacer Plate Assembly	1
ns	All	8533B355	Shroud Bracket	3
ns	All	1460-1541	High Pressure Switch	1
ns	All	1460-1271	Relay	1

**ns = not shown**

**SPECIAL ORDER PARTS:**

**NOTE: All parts with three digit suffix numbers are "Special Order" Parts. These parts are subject to factory availability and require extra time for delivery.**