

Features:

- Output constant voltage type
- Input voltage range 100-277VAC
- Built-in PFC function / PF>0.98 / Efficiency >86%
- Protections:short circuit/over voltage/over heat
- IP20 design for indoor installations
- Cooling by free air convection, Full protection plastic case , for dry, damp location.
- Suitable for LED lighting and moving sign applications.
- Compliance to worldwide safety regulations for lightings.
- UL, cUL listed, Class 2, Class P, Type HL
- 7 years warranty





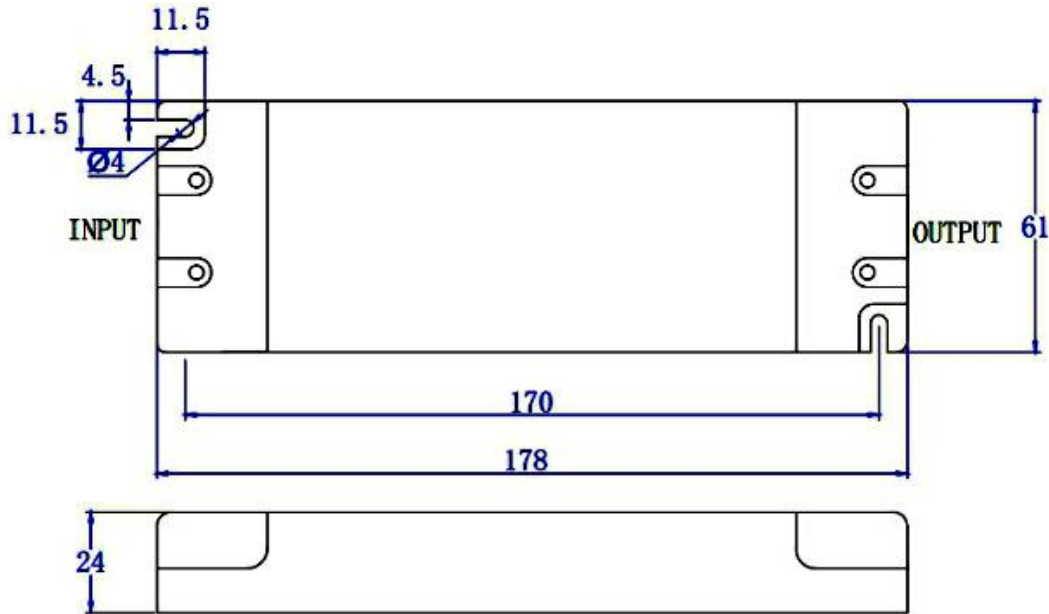


Class 2 Class P Type HL CE IP20

model		SMT-012-060VWN	SMT-024-060VWN
Output	DC Voltage	12V	24V
	Adj. Voltage Range	10-13V	21.5-25.5V
	Voltage Tolerance	±0.5V	±0.5V
	Voltage Regulation	±0.5%	
	Rated current	5.00A	2.50A
	Load Regulation	±1%	
	Rated power	60W	60W
Input	Voltage Range	100-277V AC	
	Frequency Range	47~63HZ	
	Power Factor (Typ.)	0.99@120VAC,0.94@230VAC 0.94@277VAC	0.99@120VAC,0.95@230VAC 0.94@277VAC
	Full Load Efficiency (Typ.)	83%@120VAC,87%@230VAC, 85%@277VAC	85%@120VAC,88%@230VAC, 86%@277VAC
	AC Current (Typ.)	0.9A/110VAC	
	Inrush Current (Typ.)	14A, 50%, 780us@120VAC; 50A,50%,176us@230VAC; 15A,50%,660us@277VAC	
	Leakage current	<0.50mA	
	Over temperature	100°C±10°C shut down o/p voltage, automatically recover after cooling.	
	Short Circuit	shut down o/p voltage, re-power on to recover after fault condition removed	
	Over Loading	≤120% Hiccup mode,recovers automatically after fault condition is removed	
Environ ment	Working TEMP.	-40~+60°C	
	Working Humidity	20~90%RH,non-condensing	
	Storage TEM.,Humidity	-40~+80°C, 10~95%RH	
	TEMP.coefficient	±0.03%/°C (0~50°C)	
	Vibration	10~500Hz, 2G 10min./1 cycle, period for 60min. each along X,Y,Z axes	
Safety& EMC	Safety standards	UL8750+UL1310	
	Withstand voltage	I/P-O/P: 1.88KVAC	
	Isolation resistance	I/P-O/P: 100MΩ/500VDC/25°C/70%RH	
	EMC EMISSION	FCC Part 15 B	
	EMC IMMUNITY	Compliance to EN55015; EN61000-4-2,3,4,5,6,8,11, EN61547 Alight industry level (surge4KV)	

Others	Weight	About 0.35Kg
	Size	178*61*24mm (L*W*H)
	packing	20PCS/CTN
Notes	1. All parameters NOT specially mentioned are measured at 110V/277VAC input , rated load and 25°C of ambient temperature. 2. Ripple& noise are measured at 20MHz of bandwidth by using a 12"twisted pair-wire terminated with a 0.1uf &47uf parallel capacitor. 3. Tolerance:includes set us tolerance,line regulation and load regulation .	

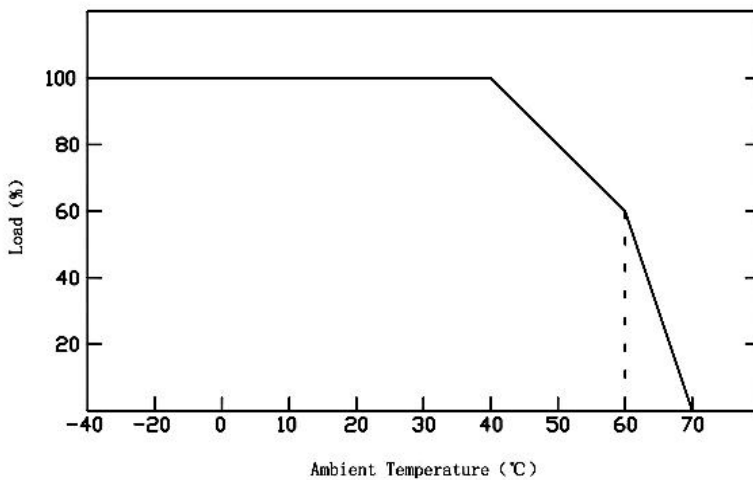
■Mechanical Specification



※ Input (L) and (N) with wires to be connected AC.

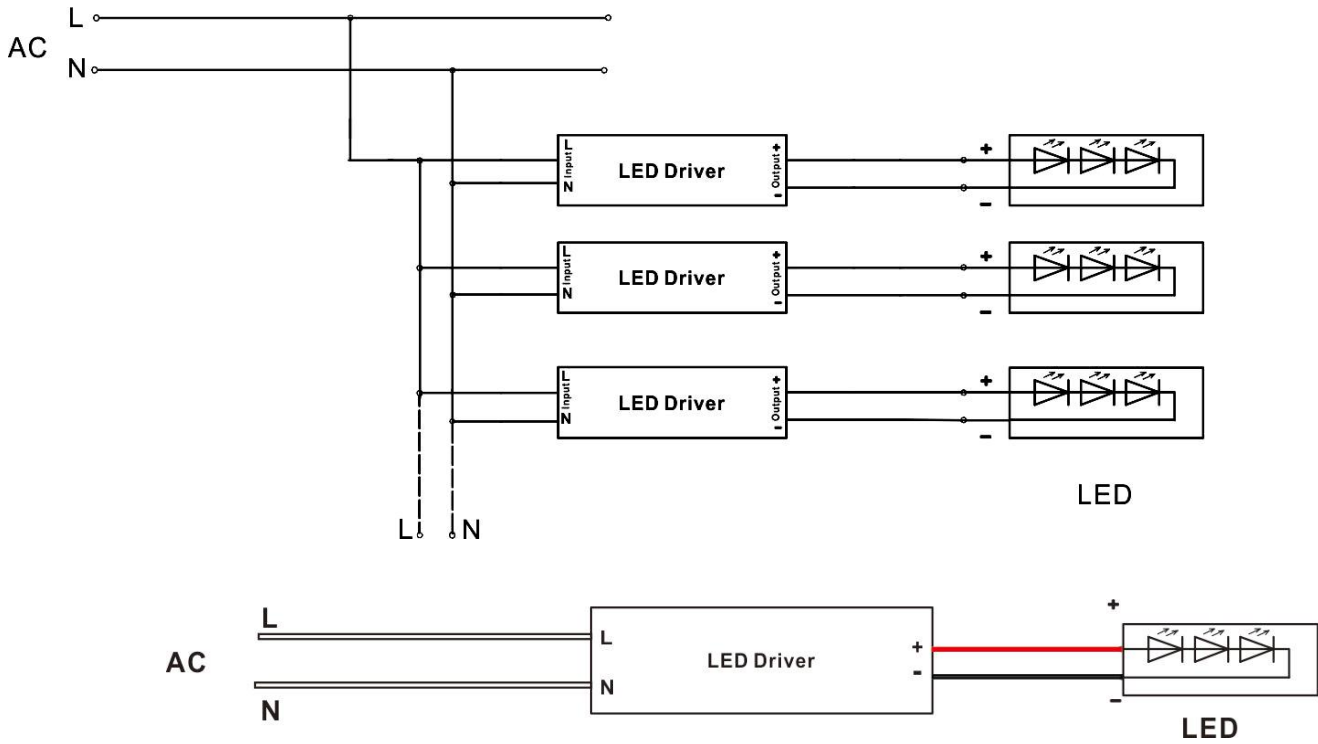
※ Output: "Red" to LED Positive side (+) , "Black" to LED Negative side (-).

■Derating Curve



※Load carried in accordance with the load derating curve, according to the ambient temperature derating, in order to extend the running life.

■ Connecting Diagram



■ Instruction:

- ※ This driver should be installed by qualified and professional person;
- ※ Please make sure the driver is installed with adequate ventilation around it to allow for heat dissipation.
- ※ Ensure that wiring is correct before test in order to avoid light and power supply damage;
- ※ If the LED drivers do not work normally, pl. don't maintain privately, but contact us: