

4" LED Fire Rated Recessed Downlight



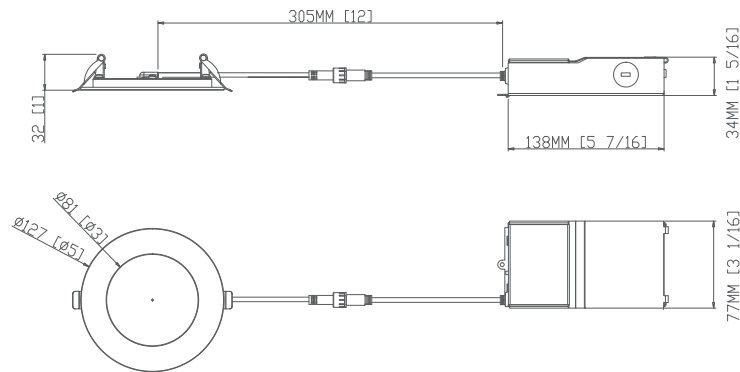
2-HOUR FIRE RATING
Tested to comply with UL 263,
ASTM E119 & CAN ULC S101

FEATURES

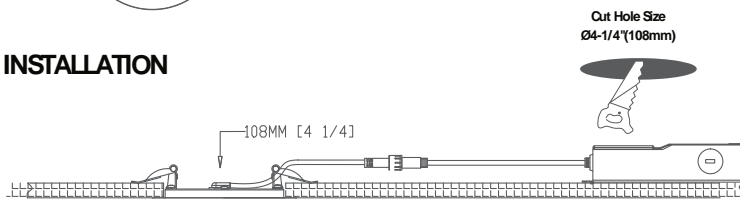
- 2-Hour Fire Rated, providing a reinforced and heat resistant steel casing
- Pre-Select 5 CCT: 27K-3K-35K-4K-5K
- Junction box with commercial grade driver included
- Triac Dimmable, Certified airtight, IC rated
- Easy installation - NO ADDITIONAL BOX REQUIRED



DIMENSION



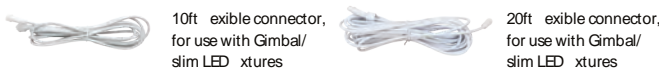
INSTALLATION



SPECIFICATIONS	
Model	FDLED-FR-4-12W-5CCT-120V
Fire Rated	2 Hours
Watts	12W
Light Output(lm)	800lm
Size	4in
Default Driver Input	AC120V,60HZ
Color Temperature(K)	Pre-Select 5CCT 2700K, 3000K, 3500K, 4000K, 5000K
CRI	80Ra
Dimming	Triac Dimming
Power Factor	>0.9
Approved Location	Wet Location
Air Tight	Yes
IC Rated	Yes
Operating Temp.	(-4°F-104°F) -20-40°C
Beam Angle	120°

Optional Accessories

Extension Cables



Mounting Plate



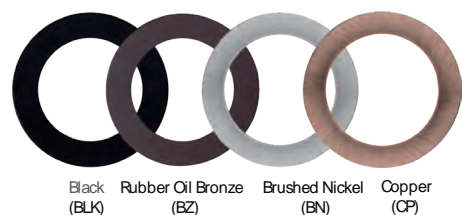
SKU#101007 is a 4" new construction pre-mounting plate
Opening Ø4 1/4" (108mm)

Goof Ring



4" Goof Ring
Inside Diameter - 4 3/16" (106.8mm)
Outside Diameter - 5 3/4" (146mm)
Thickness - 1mm
for use with Gimbal/ slim LED fixtures

Decorative Trim Ring



4 inch Round