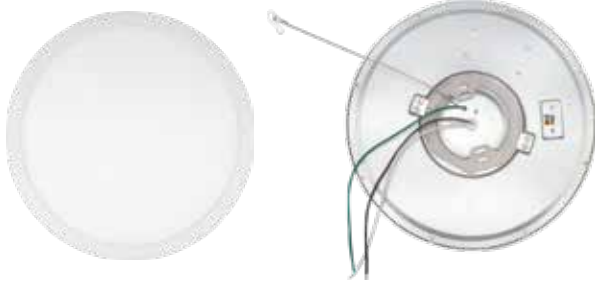


# 8" LED Flush Mount, Round



## Features

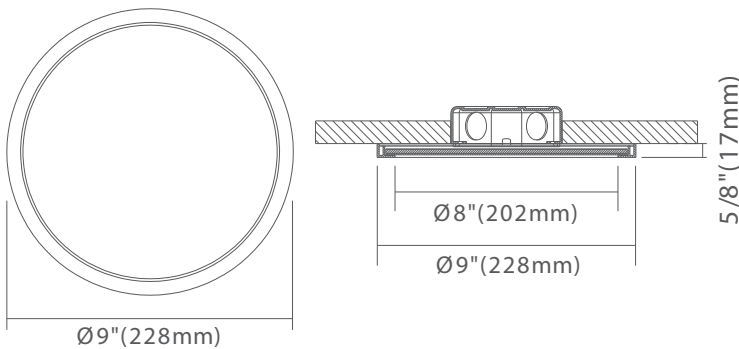
- Edge-lit technology, no glare or dark spots, instant-on
- This 5/8" thick luminaire is easy to install on standard J-boxes with a quick snap
- Construction: plastic with white translucent acrylic lens
- Dimming: TRIAC down to 10%
- I.C. rated for direct contact with insulation
- Suitable for WET LOCATION
- Rated for a long life - over 50,000 hours
- Field selectable 2700K, 3000K, 3500K, 4000K, 5000K



SPECIFICATIONS	
Model	FDFM-18W-LED-5CCT-120V-D
Watts	18W
CRI	80Ra
Color Temperature(K)	5-color field selectable CCT - 2700K, 3000K, 3500K, 4000K, 5000K
Light Output(lm)	1100lm
Default Driver Input	AC120V, 60Hz
Dimming	Triac Dimming
Power Factor	>0.9
Approved Location	Wet Location
Operating Temp.	(-4°F~104°F) -20~40°C
Beam Angle	120°

PACKAGE	
Weight.(g)	480g
Qty/CTN (pcs)	20pcs/CTN
Box Dimension	495*450*180.5mm
Gross Weight	10.8kg/CTN

## DIMENSIONS



## INCLUDED IN BOX

- 8" Flush Mount Round
- Mounting bracket to J-Box
- Two J-box Screws
- Three Wire Nuts

## Accessories (sold sperately)

## Installation

**4" J -Box**

Accessories included:  
Attach mounting bracket to J-box  
Click downlight into mounting bracket

Mounting Bracket

J-Box Screws

Wire Nuts

**4" & 6" Housing**

Accessories sold separately  
Connect E26 adapter to the LED adapter  
Insert mounting clips and push downlight up until flush with ceiling

E26 Adapter

" icon"/>

Mounting Clips for 6"/>"

Screw

LED Adapter

Used For

8 inch-Round

Round | Deep Bronze

Round | Brushed Nickel

Round | Black

Mounting Bracket for Housing

Mounting Bracket for 4" & 6" Housing