

Pre-Select 5 CCT 4" LED Flush Mount

FDFM-10W-LED-5CCT-120V-D
SKU#101080

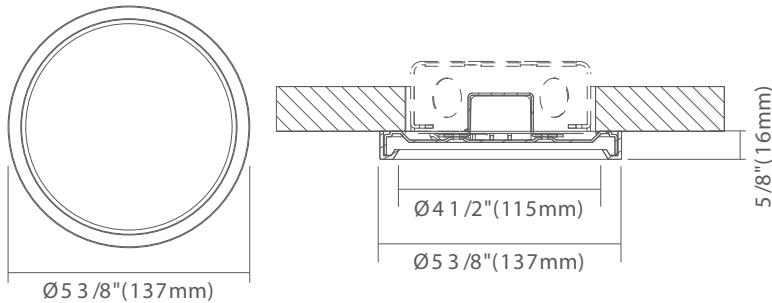


Features

- Edge-lit technology, no glare or dark spots, instant-on
- This 5/8" thick luminaire is easy to install on standard J-boxes with a quick snap
- Construction: plastic with white translucent acrylic lens
- Dimming: TRIAC Dimming 10% - 100%
- I.C. rated for direct contact with insulation
- Suitable for WET LOCATION
- Rated for a long life - over 50,000 hours
- Pre-select 5 CCT 2700K, 3000K, 3500K, 4000K, 5000K



DIMENSIONS



INCLUDED IN BOX

- 4" LED Flush Mount, Round
- Mounting bracket to J-Box
- Two J-box Screws
- Three Wire Nuts

| SPECIFICATIONS | |
|----------------------|---|
| Model | FDFM-10W-LED-5CCT-120V-D |
| Watts | 10W |
| CRI | 80Ra |
| Color Temperature(K) | Pre-Select 5 CCT 2700K, 3000K, 3500K, 4000K, 5000K |
| Light Output(lm) | 600lm |
| Default Driver Input | AC120V, 60Hz |
| Dimming | Triac Dimming |
| Power Factor | >0.9 |
| Approved Location | Wet Location |
| Operating Temp. | (-4°F~104°F) -20~40°C |
| Beam Angle | 120° |

| PACKAGE | |
|---------------|-----------------|
| Weight.(g) | 150g |
| Qty/CTN (pcs) | 20pcs/CTN |
| Box Dimension | 300*180.5*304mm |
| Gross Weight | 4.5kg/CTN |

Installation

4" J - Box

Accessories included:
Attach mounting bracket to J-box
Click downlight into mounting bracket

4" Housing

Accessories sold separately
Connect E26 adapter to the LED adapter
Insert mounting clips and push downlight up until flush with ceiling

Accessories (sold separately)

Optional
RINGS

Mounting Bracket for Housing

Mounting Bracket for 4" Housing