

WARNINGS



RISK OF FIRE, ELECTRICAL SHOCK, CUTS OR OTHER CASUALTY HAZARDS

Installation and maintenance of this product must be performed by a qualified electrician. This product must be installed in accordance with the applicable installation code by a person familiar with the construction and operation of the product and hazards involved.

RISK OF FIRE AND ELECTRIC SHOCK

Make certain power is OFF before starting installation or attempting any maintenance. Disconnect power at fuse or circuit breaker.

RISK OF FIRE

Refer to product label for specific minimum supply conductor requirements.

RISK OF BURN

Disconnect power and allow fixture to cool before handling or servicing.

RISK OF PERSONAL INJURY

Fixture may become damaged and/or unstable if not installed properly.

DISCLAIMER OF LIABILITY: CSC LED assumes no liability for damages or losses of any kind that may arise from the improper, careless, or negligent installation, handling or use of this product.

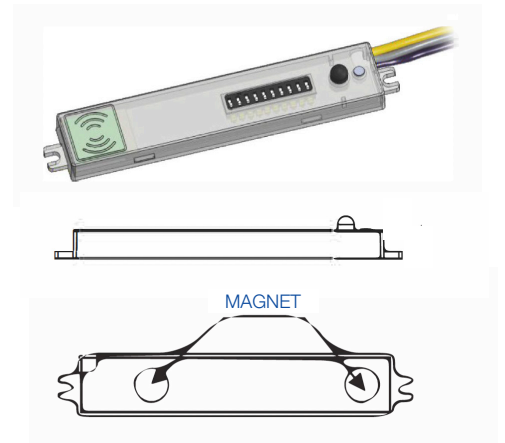
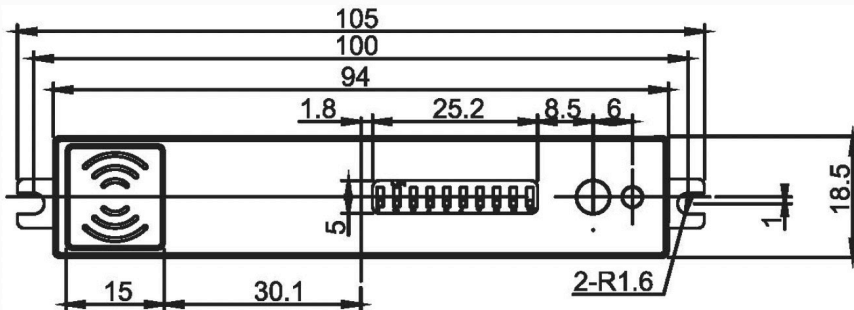
NOTICE: Green ground wire is provided in proper location. Do not relocate.

SAFETY: This fixture must be wired in accordance with the National Electrical Code and applicable local codes and ordinances. Proper grounding is required to ensure personal safety. Carefully observe grounding procedure under installation section.

APPLICATIONS: This lighting fixture is designed for indoor lighting applications, and should not be used in an area with limited ventilation or inside high ambient temperature enclosures. It must be stored in a dry location prior to installation.

ATTENTION RECEIVING DEPARTMENT: Note actual fixture description of any shortage or noticeable damage on delivery receipt. File claim for common carrier (LTL) directly with carrier. Claims for concealed damage must be filed within 15 days of delivery. All damaged material, complete with original packaging must be retained.

PLEASE SEE MS02-RC INSTRUCTIONS FOR SENSOR PROGRAMMING WITH THE REMOTE CONTROL



SPECIFICATIONS & NOTES

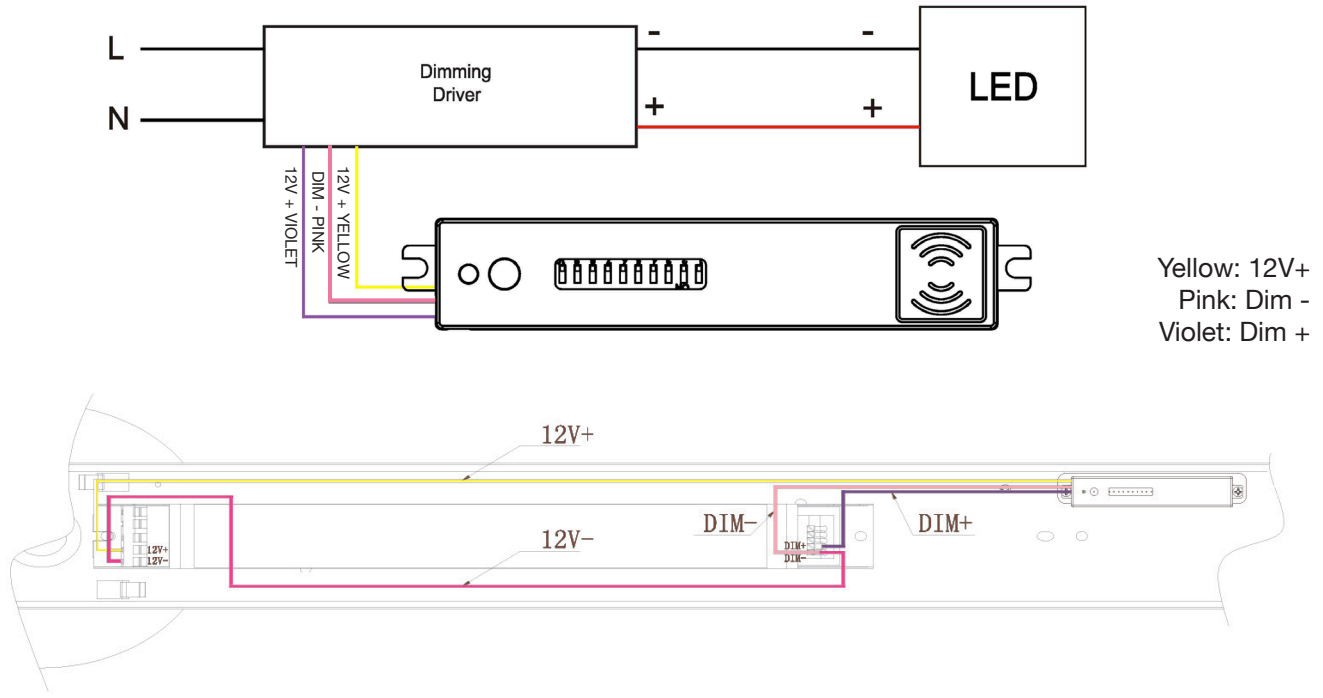
Power Supply	12V-24V DC, >50mA
HF System	5.8GHz ± 75MHz
Dim Control Output	0-10V max
Detection Radius / Angle	17 ft max (5.2 m) / 360°
Mounting Height	25 ft max (7.7 m)
Remote Range	25 ft (7.7 m)
Humidity	Max 95% RH
Temperature	~ 40°F - 158°F (-40°C - 70°C)

**NOTE: MAXIMUM
MOUNTING HEIGHT IS 25 FT (7.7 M)**

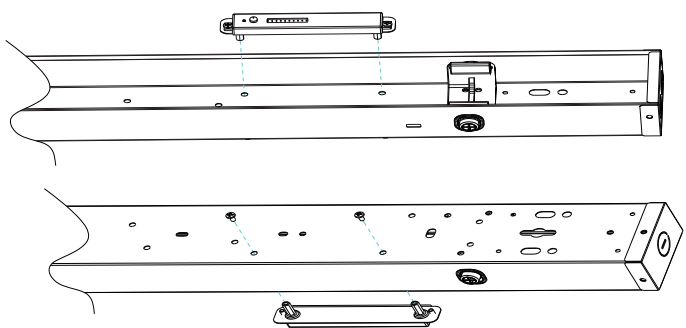
1. When the luminaire is switched on, there is a 15 second initialization period where the light will flash on and off, and then dim. It will remain dimmed for the current Stand-By Time, or until motion is detected.
2. When the settings are changed, the luminaire will flash on and then turn off. It will remain off until motion is detected.

FACTORY DEFAULT SETTINGS				
SENSITIVITY	HOLD TIME	DAYLIGHT SENSOR	STAND-BY DIM	STAND-BY TIME
100%	5 minutes	Disabled	0%	1 minute

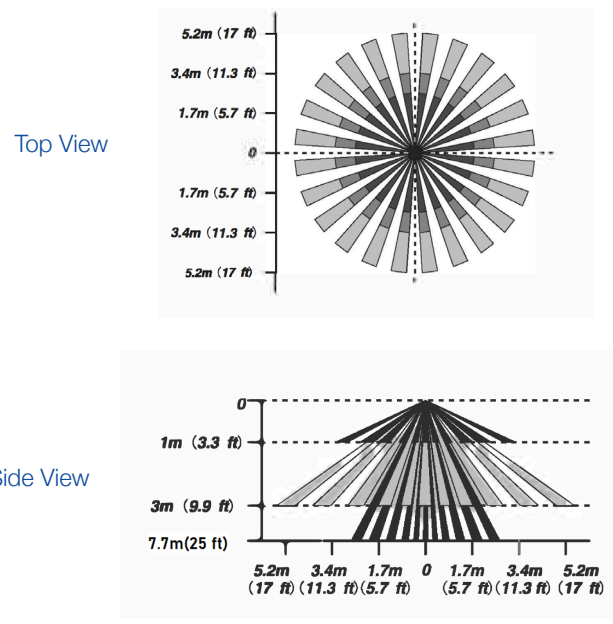
WIRING DIAGRAMS



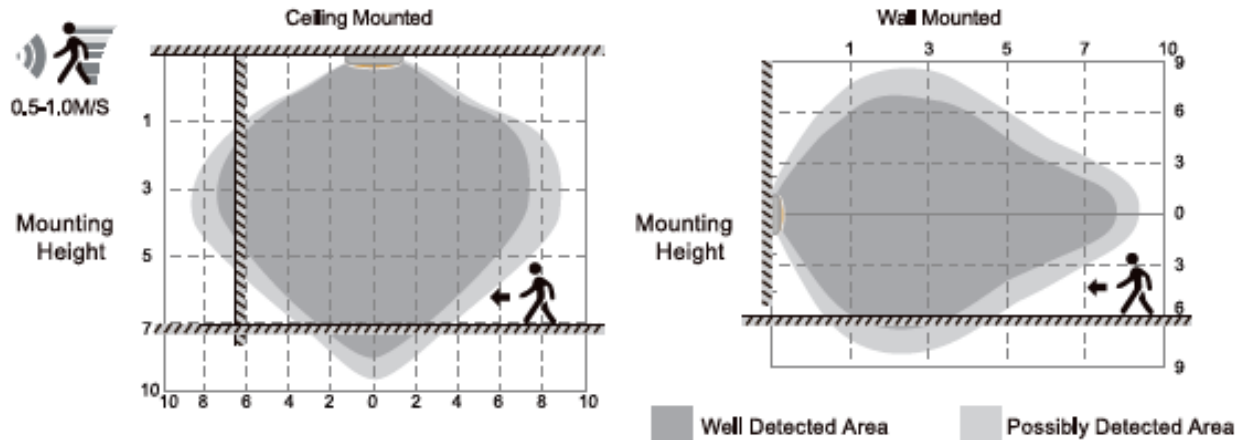
SENSOR MOUNTING



SENSOR COVERAGE



DETECTION COVERAGE



Maximum mounting height is 25ft (7.7m). The figure shows the sensor coverage pattern at the maximum mounting height with 100% sensitivity.

NOTES:

Be cautious if installing this sensor in areas with a large presence of metal (such as walls or machinery). Microwaves can reflect off metal surfaces and can potentially lead to false detection of movement.

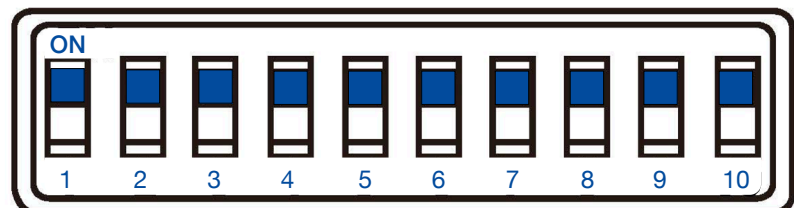
In order to test the Sensitivity level, keep the Hold Time and Stand-By Time low so that the full cycle can quickly be observed. Once the sensitivity is confirmed through testing, the Hold Time and Stand-By time can be set to the desired levels.

It is recommended to start on a lower Sensitivity setting and increase as needed. Microwaves can pass through most non-metal materials (including drywall and wood) and could detect motion on the other side of walls if the sensitivity is set too high.

For indoor applications the Daylight Sensor is typically not used and should be disabled.

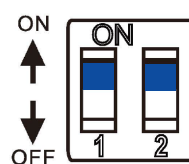
DIP SWITCH SETTINGS

1,2	Sensitivity
3,4	Hold Time
5,6	Daylight Sensor
7,8	Stand-by Dim
9,10	Stand-by Time



SENSITIVITY

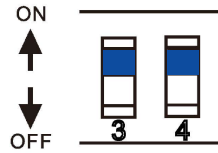
The sensitivity setting will adjust the detection range to a maximum radius of 17 ft.



Switch #1	Switch #2	Sensitivity
↓	↓	20%
↓	↑	50%
↑	↓	75%
↑	↑	100%

HOLD TIME

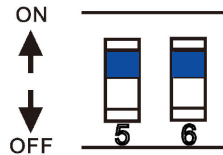
The Hold Time is the first stage of the motion cycle. This is the amount of time that the fixture will remain at 100% brightness. If no motion is detected during this period, the luminaire will dim to the Stand-By Dim setting. If motion is detected, this time will reset.



Switch #3	Switch #4	Time
↓	↓	10 secs
↓	↑	1 min
↑	↓	5 min
↑	↑	15 min

DAYLIGHT SENSOR

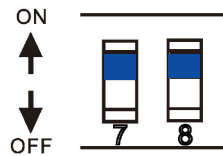
When the sensor is mounted internally, the daylight function is not possible and should be disabled (☀️).



Switch #5	Switch #6	Light
↓	↓	light sensor disabled
↓	↑	10 lux
↑	↓	30 lux
↑	↑	50 lux

STAND-BY DIM

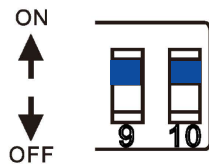
Once the Hold Time has expired and there is no motion, the luminaire will dim to the Stand-By Dim level. It will remain at this level for the duration of the Stand-By Time setting, providing no motion is detected.



Switch #7	Switch #8	Light
↓	↓	0%
↓	↑	10%
↑	↓	30%
↑	↑	50%

STAND-BY TIME

The Stand-By Time is the amount of time that the luminaire will remain at the Stand-By Dim level before turning off, providing no motion is detected. If motion is detected, the luminaire will go back to 100% and the hold time will reset. When the +∞ setting is selected then the luminaire will remain at the Stand-By Dim level indefinitely, and the fixture will not turn off.



Switch #9	Switch #10	Light
↓	↓	+∞
↓	↑	1 min
↑	↓	30 min
↑	↑	60 min

Please see MS02-RC instructions for sensor programming with the optional remote control