



Distribué par



EMERGENCY BATTERY UNIT

LED DOUBLE HEAD



SPECIFICATIONS

- Surface-Mount / Conduit-Mount
- Battery Life: 2+ Hours
- Battery Power: 36W
- LED Double Head (Tilt & 180° Rotation)
- Test Function
- Knockouts on Sides & Back
- Input Voltage: 120-347VAC
- Output Voltage: 12V DC
- IP40 - Suitable for Damp Locations
- Functioning Temperature: 0°C to 40°C

AVAILABILITY

- 36W
- 5000K
- 120-347VAC

*This icon indicates a STOCK item: Look for this Same Day Shipping icon below in 'Ordering Information' for products that ship out on the same day (orders must be placed before 3pm EST)

Date:

Project:

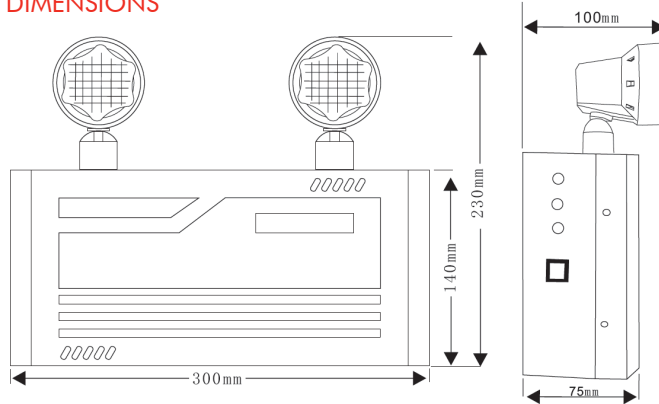
Prepared for:

Type:

Comments:



DIMENSIONS



CIRCUITRY

Lead-Acid Battery: 6V/6Ah
Recharge Time: 20 Hours

AC120V 50/60Hz	Input Wattage:	3.2W
	Input Current:	0.03A
	Efficiency:	0.97P
AC277V 50/60Hz	Input Wattage:	3.3W
	Input Current:	0.01A
	Efficiency:	0.92P
AC347V 50/60Hz	Input Wattage:	3.6W
	Input Current:	0.01A
	Efficiency:	0.92P

BATTERY VOLTAGE IS NEGATIVELY CORRELATED TO INPUT WATTAGE

ORDERING INFORMATION

SERIES	BATTERY LIFE	BATTERY POWER (WATTS)	LED POWER (WATTS)	EFFECTIVE BATTERY POWER AFTER LED (WATTS)	INPUT VOLTAGE	OUTPUT VOLTAGE	MODEL NUMBER
EMERGENCY BATTERY UNIT	2+ HOURS	36W	2 X 2	32W	120-347VAC	6VDC	EX-BA1-36W-V1

