

WPX Wall Pack

50W | Colour Tunable | 120-347V

The most versatile architectural wall pack in Canada
Ideal for outdoor wall-mount applications such as commercial,
industrial, retail, or hospitality buildings

Type 3 Distribution Optics
Type 2 and Type 4 options available

Durable Die-Cast
Aluminum Housing

1/2" NPT Entry
on all sides



Colour Tunable
3000K/4000K/5000K

120-347V Driver
with 6KV
surge protection

Optional Accesories (sold separately):
Visor, Type 2 Optics, Type 4 Optics



WPX-VISOR-S



WPX-T2S



WPX-T4S

TECHNICAL DATA



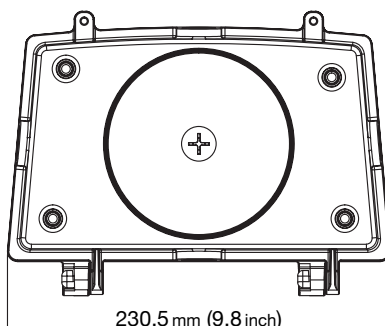
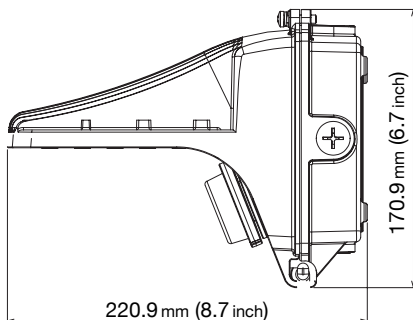
LIGHT SPECIFICATIONS

Lumens	6,500 lm
Efficacy	130 lm/W
CCT	3000K / 4000K / 5000K
CRI	80
L70 Life	50,000 hrs
Warranty	10-year

APPROVALS AND LISTINGS

cETL	5018387
DLC	TBA

DIMENSIONS



ELECTRICAL

Wattage	50W
Voltage	120-347V
Power Factor	>0.9
THD	<20%
Operating Temp	-30 to 45°C

CONSTRUCTION

Housing	Die-Cast Aluminum
Cover	Polycarbonate
Finish	Black
IP Rating	IP65
Net Weight	1.6 kg
Gross Weight	2.1 kg
Carton Qty	1
Carton Dimensions	200 x 260 x 275 mm

ACCESSORIES (Ordered Separately)

Visor	WPX-VISOR-S
Type 2 Optics	WPX-T2S
Type 4 Optics	WPX-T4S