

# LED PUCK LIGHT SPECIFICATION



MM-300A



MM-300B

## PRODUCT FEATURES:



MODEL: MM-300A / MM-300B

Input:



Power:



Finish:



Black

White

Silver

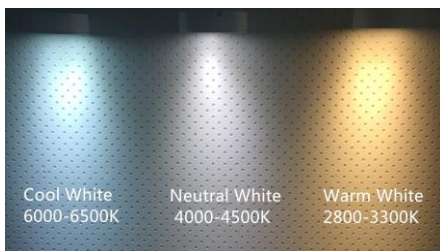
LED Chip:



CRI



Color Temperature:



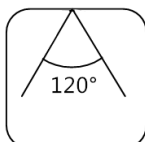
Dim:



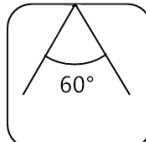
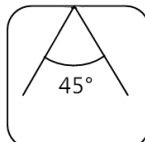
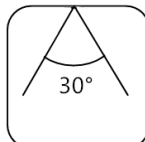
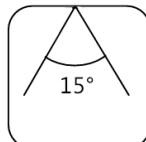
Dimmable With 12V PWM Dimmer

Beam Angle:

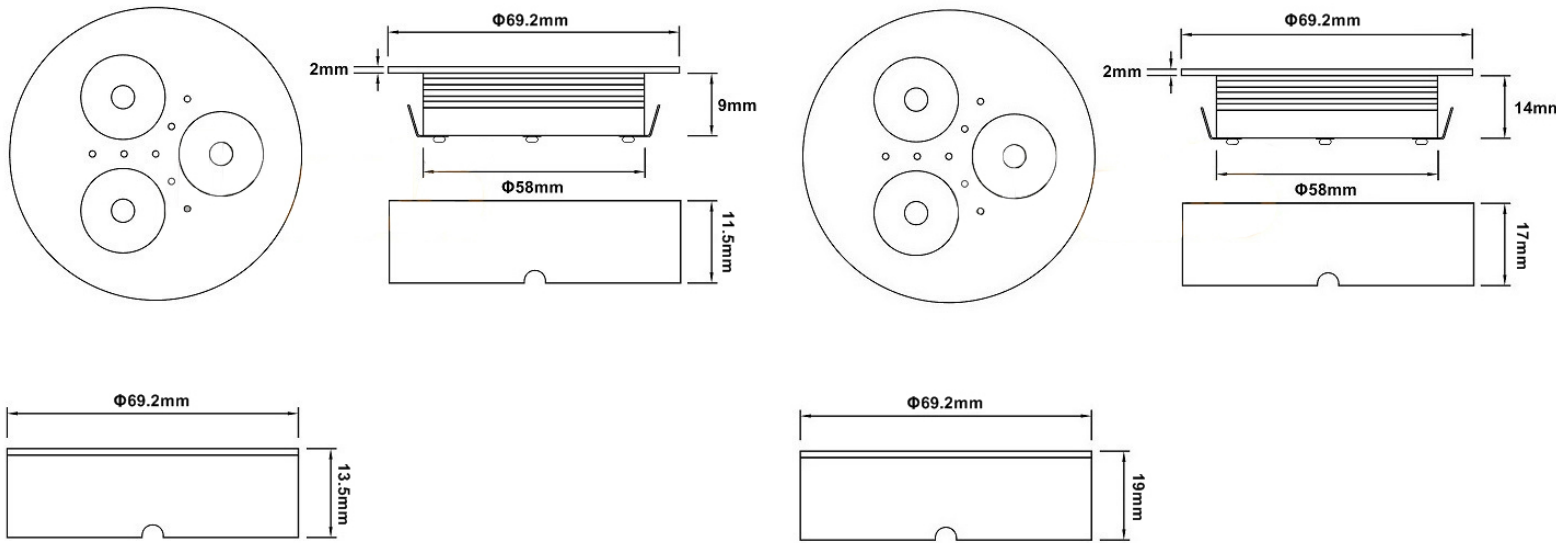
MM-300A



MM-300B



## Dimension



## LUMEN OUTPUT:

LED CHIP BRAND	COLOR TEMPERATURE	LUMEN OUTPUT
CREE	2800-3300K	240lm
CREE	4000-4500K	250lm
CREE	6000-6500K	270lm
EDISON	2800-3300K	210lm
EDISON	4000-4500K	220lm
EDISON	6000-6500K	240lm

## APPLICATIONS:

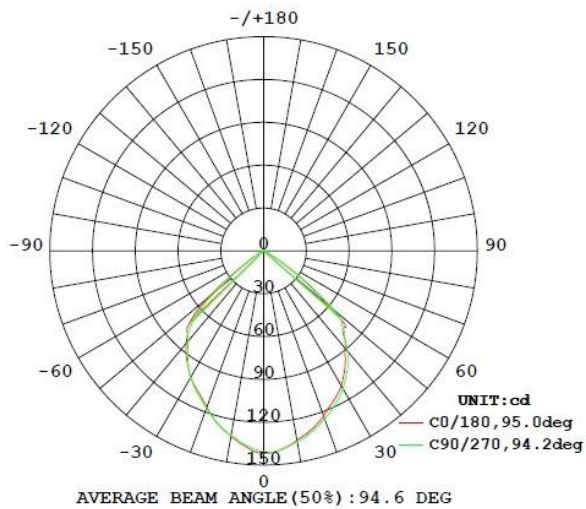
Kitchen Lighting  
 Furniture Lighting  
 Display Case Lighting  
 Jewelry Store, Museum, Wall Way  
 Hotel, Restaurant, Entertainment Places, Accent Lighting



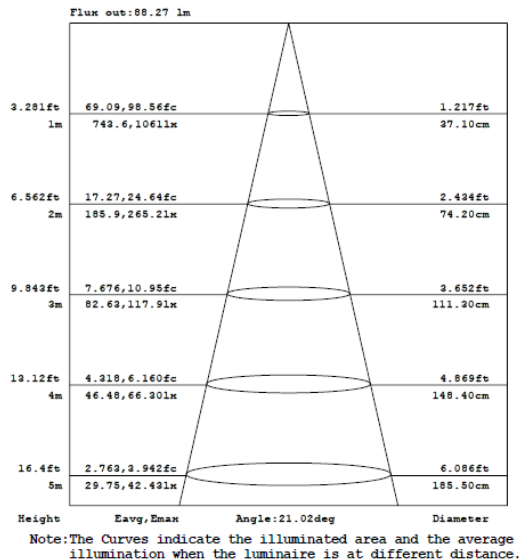
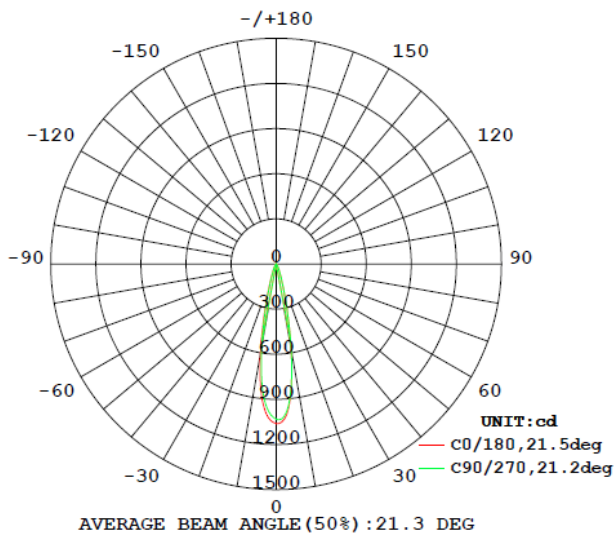
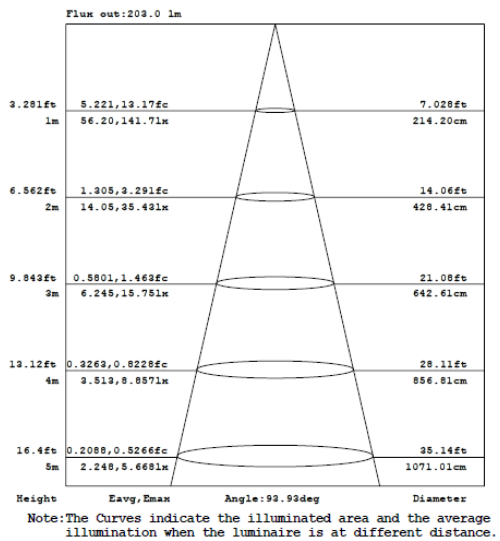
## PACKAGING DETAILS:

Net Weight:	0.095kg
Gross weight:	0.15kg
Inner box size:	8.5x8.5x4.5cm
Carton size:	45x35x25cm
Quantity per carton:	100pcs

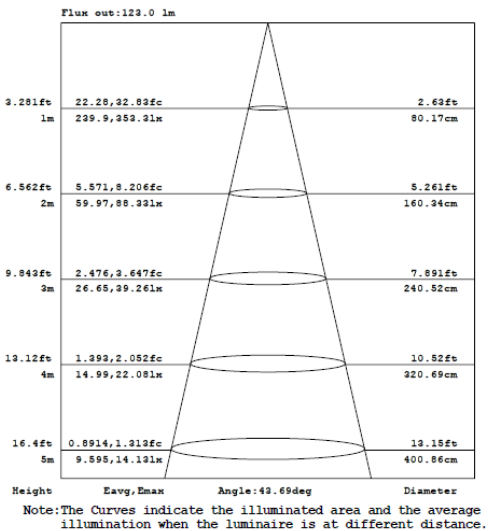
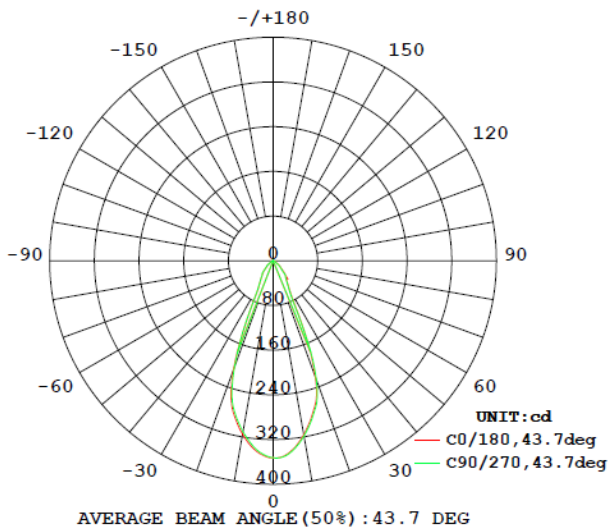




**MM-300B 30° CREE LED**



**MM-300B 45° CREE LED**



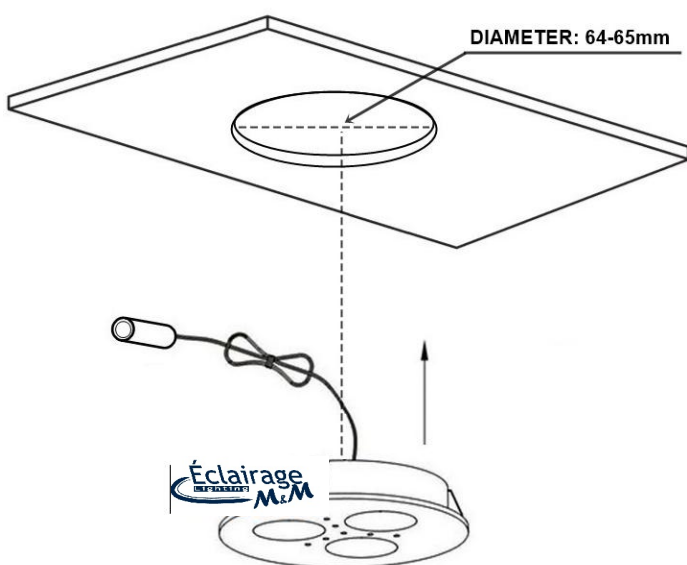
## METHODE OF INSTALLATION:

### 1. RECESSED MOUNTED

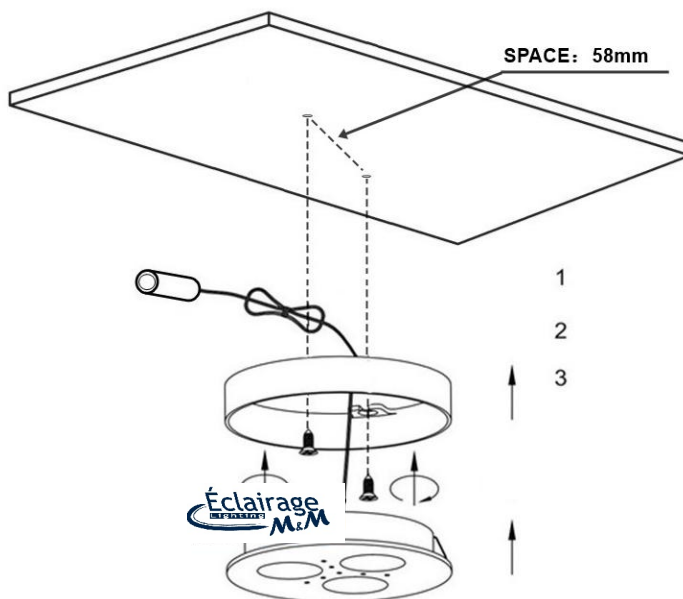
Cut a hole  $\varnothing$ 64-65mm in the Puck, put the light in the hole, the light can be fixed by the spring

### 2. SURFACE MOUNTED

Take out the ring, fix the ring with two screws on the Puck, and put the inner part back into the ring.



Recessed Mounted



Surface Mounted

