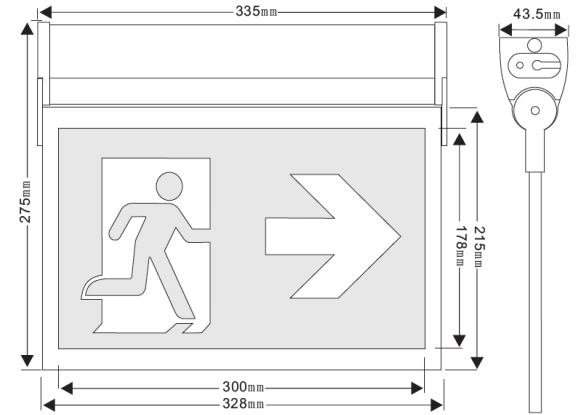


# LED RUNNING MAN SIGN

SINGLE/DOUBLE-SIDED



## DIMENSIONS



### SPECIFICATIONS

- Interchangeable Stencils
- Single/Double-Sided
- 180° Adjustable Tilt
- Surface-Mount / Recessed
- IP40 - Suitable for Damp Locations
- Functioning Temperature: 0°C to 40°C

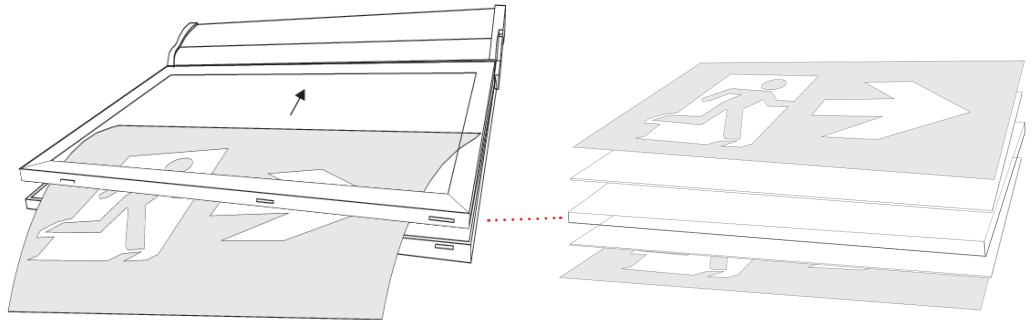
### AVAILABILITY

- 2W
- 5000K
- Integrated Battery / No Battery

\*This icon indicates a STOCK item: Look for this Same Day Shipping icon below in 'Ordering Information' for products that ship out on the same day (orders must be placed before 3pm EST)

### CHANGING THE STENCIL

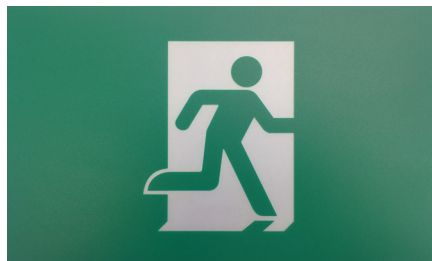
Open the fixture from the bottom and simply slide in the desired stencils. The fixture supports stencils on both sides. For a single-sided application, use the white stencil to cover the undesired side.



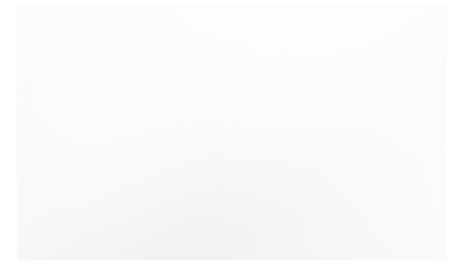
### INCLUDED STENCILS



2 x Running Man with Arrow  
Double-sided to point left or right



1 x Running Man without Arrow  
Double-sided to face left or right



1 x Plain White  
For single-sided configurations

**GET YOUR PRODUCTS FAST**  
Arani is committed to same day shipping on orders before 3pm (EST)\*.

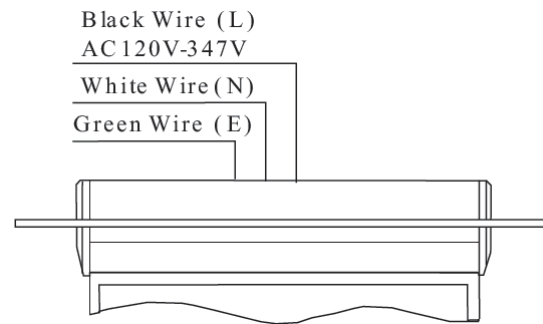
## ORDERING INFORMATION

SERIES	POWER (WATTS)	COLOR TEMP	INTEGRATED BATTERY?	BATTERY LIFE	INPUT VOLTAGE	MODEL NUMBER
RUNNING MAN SIGN	2	5000K	YES	2+ HOURS	120-277VAC / 347V	EX-RM1-2W-BA-V1
			NO	N/A	6-24VDC / 120-277VAC / 347V	EX-RM1-2W-DC-V1

## CIRCUITRY

EX-RM1-2W-BA-V1 Integrated Emergency Battery Output Wattage: 1W Ni-cad Battery: 3.6V 1000mAh jj		
AC120V 50/60Hz	Input Wattage:	3W
	Input Current:	0.24A
	Efficiency:	0.98P
AC277V 50/60Hz	Input Wattage:	3.5W
	Input Current:	0.014A
	Efficiency:	0.93P
AC347V 50/60Hz	Input Wattage:	4W
	Input Current:	0.017A
	Efficiency:	0.92P
EX-RM1-2W-DC-V1 No Battery		
DC6V - 24V	Input Wattage:	1.2W

### EX-RM1-2W-BA-V1



### EX-RM1-2W-DC-V1

