

LED EMERGENCY REMOTE HEAD

SINGLE HEAD | DOUBLE HEAD



LED Emergency Remote Head
(Single Head)
EM1-1-2W-V1



LED Emergency Remote Head
(Double Head)
EM1-2-4W-V1

SPECIFICATIONS

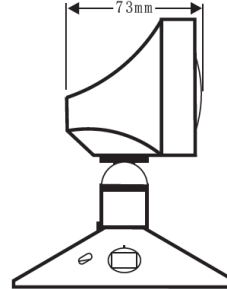
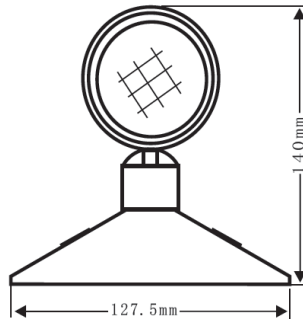
Designed for Use with
Emergency Battery Units
Surface-Mount
Adjustable Tilt & 180° Rotation
Input Voltage: 5-12VDC
IP40 - Suitable for Damp Locations
Functioning Temperature: 0°C to 40°C

AVAILABILITY

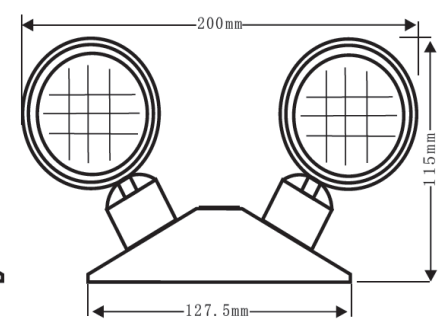
Single-Head / Double-Head
5000K
5-12VDC

DIMENSIONS

EM1-1-2W-V1



EM1-2-4W-V1



*This icon indicates a STOCK item:
Look for this Same Day Shipping icon below
in 'Ordering Information' for products that
ship out on the same day (orders must be
placed before 3pm EST)

ORDERING INFORMATION

SERIES	HEADS	POWER (WATTS)	LUMENS	COLOR TEMPERATURE	MODEL NUMBER
EMERGENCY LED REMOTE HEADS	SINGLE-HEAD	2W	250	5000K	EM-1-2W-V1
	DOUBLE-HEAD	4W	2 X 250	5000K	EM-2-4W-V1