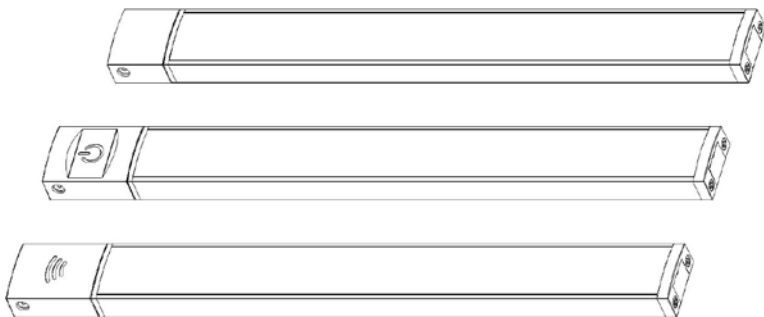


TECHNICAL SHEET LED UNDER CABINET LIGHT

Model No.: MM-UL007



Description of product:

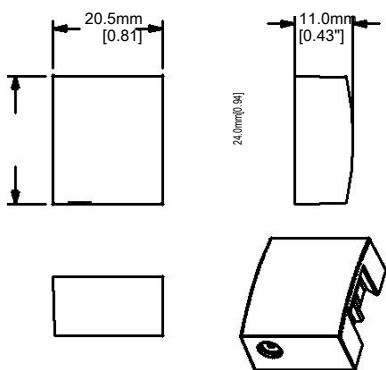
The light is used with high quality 2835 SMD leds of high brightness, vivid color, downy light, concise appearance and no glare; Energy saving and environment friendly without UV, infrared and mercury pollution. The light is made of aluminum alloy and PC, which make the product working more stable and safe, the lifespan can be up to 30,000 hours.

Application:

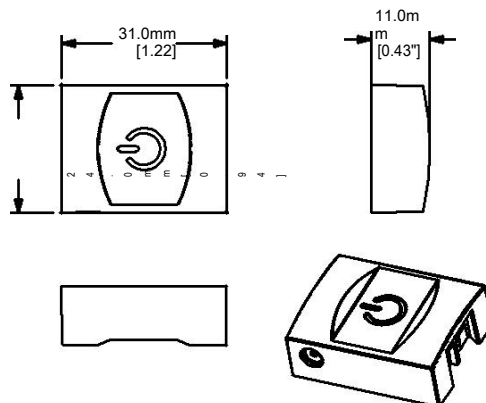
Widely used in residential lighting, supermarket, hotel, coffee bar, restaurant, office etc.

Dimension (Unit: mm/inch):

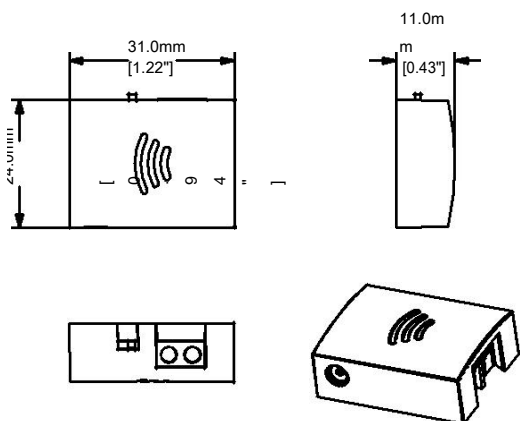
Normal Type



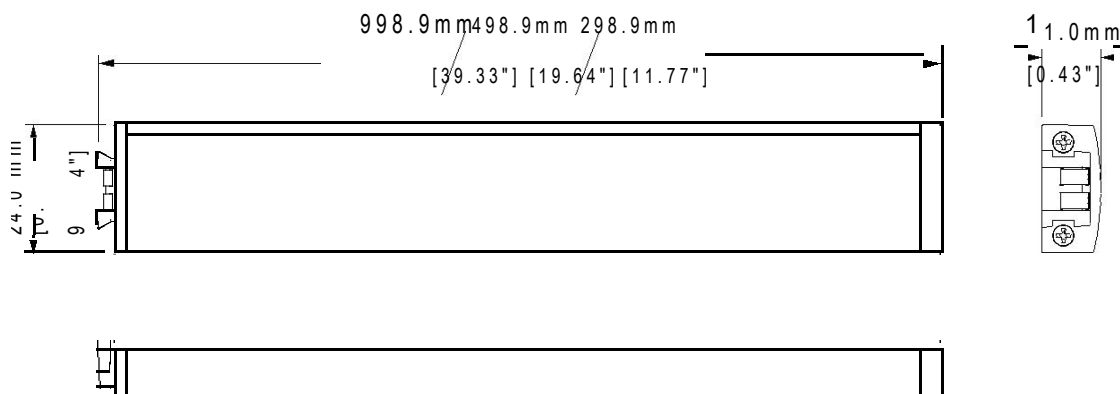
Touch Type



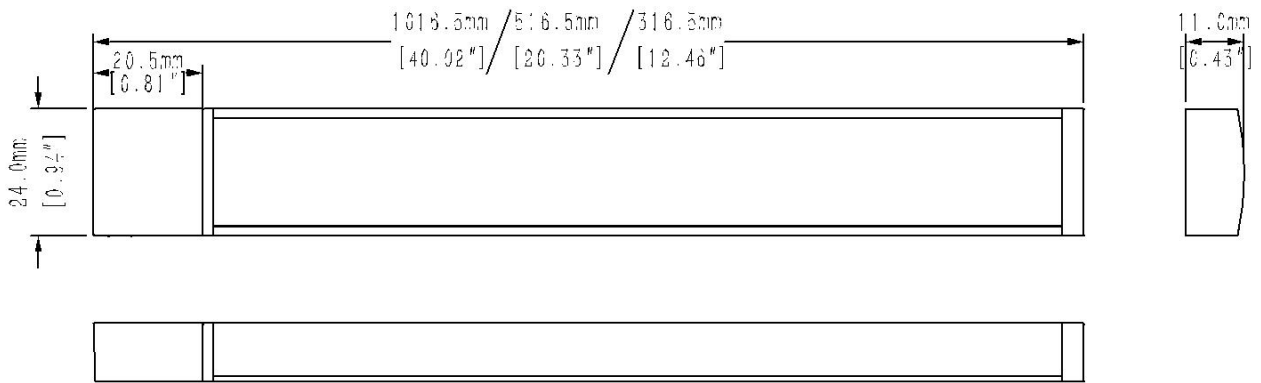
IR-Hand Swinging Type



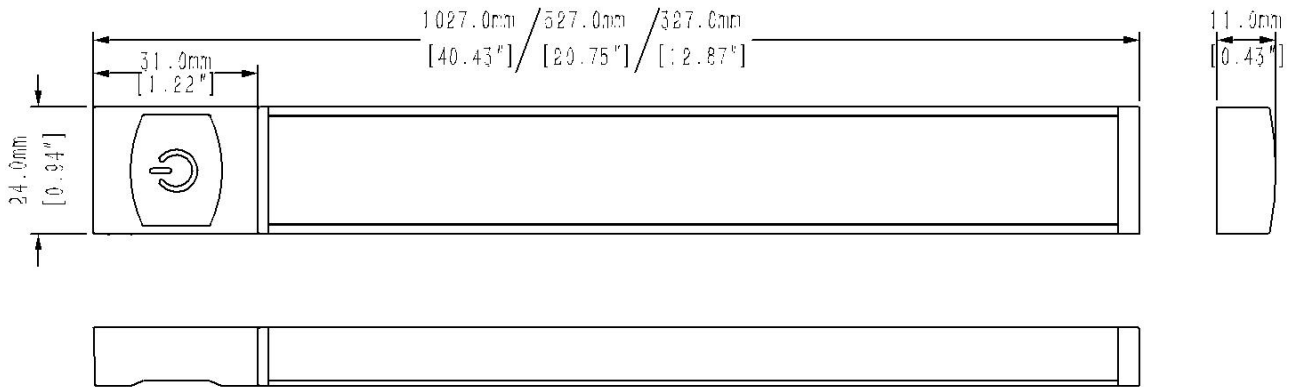
Lamp body



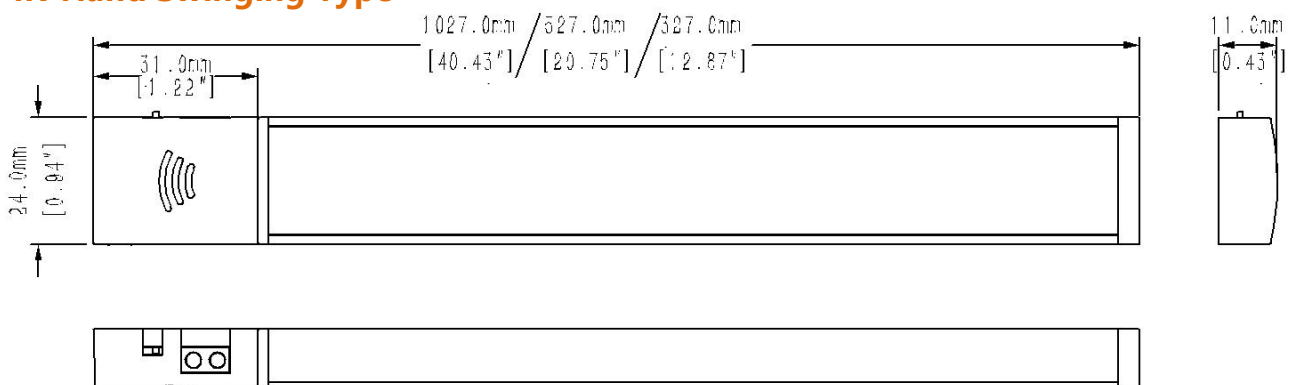
Normal Type



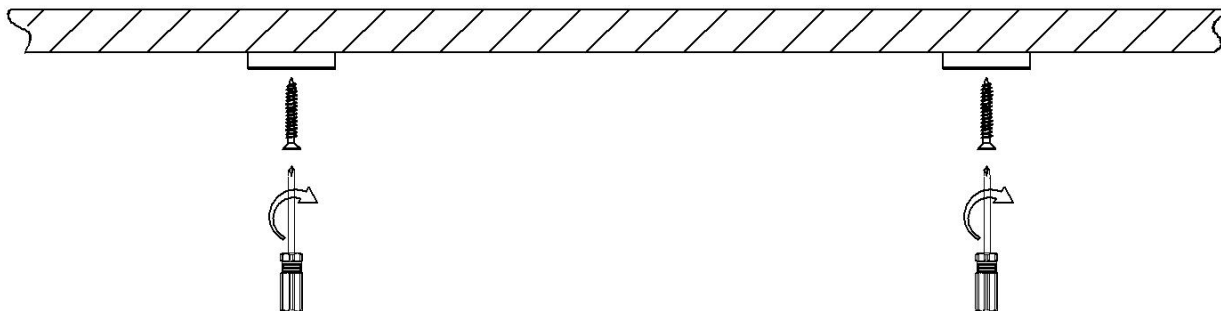
Touch Type



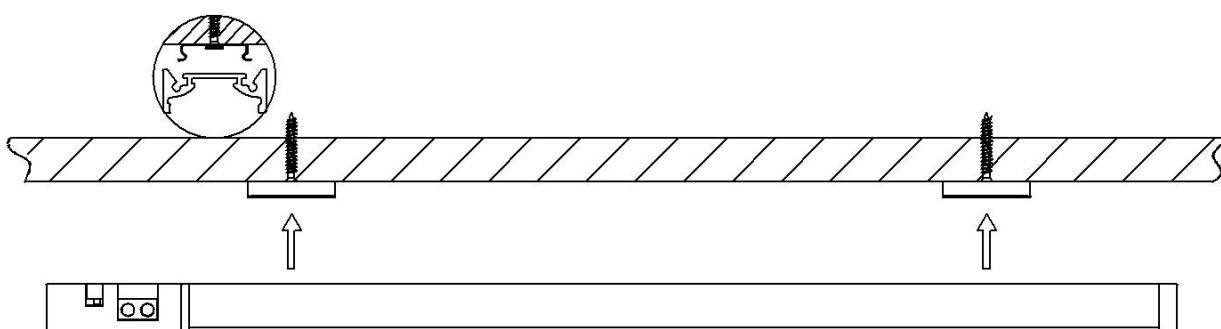
IR-Hand Swinging Type



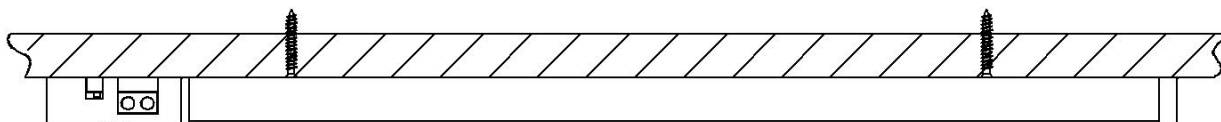
Installation introduction:



1. Fix the mounting clip with a screw.

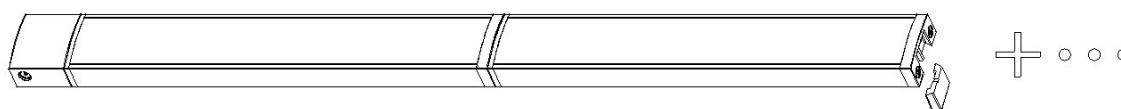
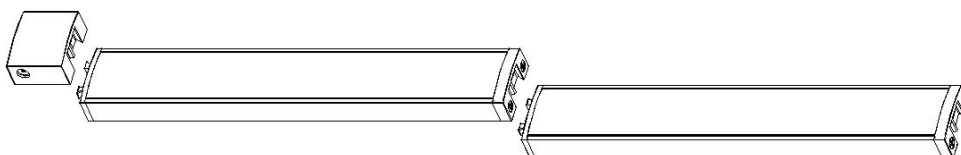


2. Push the lamp body into the clip.



3. Connect Power supply.

How to connect more light bars together:



The lamp body longest 2.5 M





IR-Hand Swinging Type

Input Voltage : DC12V load
 current : 2.5A MAX Max load
 power : 30W Sensing
 distance : 0-10cm

Function mode : Two modes, you can select by switch ;

IR mode : When there is stopped object in 10cm range in front of sensor, the sensor can detect feedback and control the circuit on/off. It will be kept till the second detect feedback and control the circuit off/on.

Hand swinging mode : When swing hand in 10cm range in front of sensor, the sensor can detect feedback and control the circuit on/off. It will be kept till the second detect feedback and control the circuit off/on.

Touch Type

Input Voltage : DC12V
 load current : 2.5A MAX
 Max load power : 30W

FUNCTION : It's controlled by finger touch ; with stepless dimming function.
 Short Press to switch the light on/off
 Long Press to adjust the brightness.

Technical Parameters:

Model No	CCT	LED Typ	Lumen (LM)	Beam angle	CRI	Max Current	Power	Voltage	PF	Service Environment (°C)	Size (mm)
MM-UL007-30	6000K	SMD2835	256	110°	80	0.4A	3.6W	12V	1.0	-20~+45°C □	300*24*11 (L*W*H)
MM-UL007-30	4000K	SMD2835	245	110°	80	0.4 A	3.6W	12V	1.0	-20~+45°C □	300*24*11 (L*W*H)
MM-UL007-30	3000K	SMD2835	235	110°	80	0.4 A	3.6W	12V	1.0	-20~+45°C □	300*24*11 (L*W*H)
MM-UL007-50	6000K	SMD2835	435	110°	80	0.6 A	6W	12V	1.0	-20~+45°C □	500*24*11 (L*W*H)
MM-UL007-50	4000K	SMD2835	418	110°	80	0.6 A	6W	12V	1.0	-20~+45°C □	500*24*11 (L*W*H)
MM-UL007-50	3000K	SMD2835	400	110°	80	0.6 A	6W	12V	1.0	-20~+45°C □	500*24*11 (L*W*H)
MM-UL007-100	6000K	SMD2835	887	110°	80	1.2 A	12W	12V	1.0	-20~+45°C □	1000*24*11 (L*W*H)
MM-UL007-100	4000K	SMD2835	851	110°	80	1.2 A	12W	12V	1.0	-20~+45°C □	1000*24*11 (L*W*H)
MM-UL007-100	3000K	SMD2835	816	110°	80	1.2 A	12W	12V	1.0	-20~+45°C □	1000*24*11 (L*W*H)

Packaging information:

Model	Carton Size	QTY/CTN	G.W.
MM-UL007-30	640mm*140mm*185mm	144PCS	21KG
MM-UL007-50	540mm*140mm*185mm	77PCS	18KG
MM-UL007-100	1040mm*140mm*185mm	77PCS	31KG

Notes:

1. Please carefully make sure that the product is suitable for the installation site before use.
2. Take a note to the input voltage of product before use ;
3. The light should be installed by professional technicians;
4. Stop using the product when the shell of the product is damaged;
5. Preliminarily estimate the quantity of LED lights required for using the proper power supply.
6. To avoid voltage shocking, unprofessional people are not allowed to maintain the products.

