

# LHB04 Linear High Bays

Power Selectable | Colour Selectable | 120-347V

The successor to our best-selling LHB03 Linear High Bays!

Ideal for warehouses, factories, workshops, and more

Energy efficient replacement for traditional fluorescent fixtures and HID high bays

Colour Selectable

3500K / 4000K / 5000K

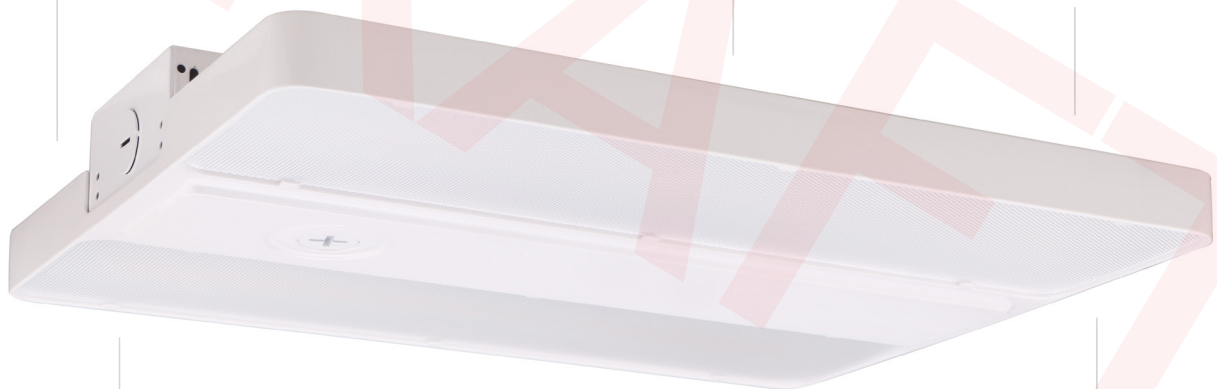
Power Selectable

70W / 90W / 110W



Complete with 10'  
Cord Whip

0-10V Dimmable



Centre Knockout Allows  
for Easy Installation of an  
Optional Motion Sensor  
(sold separately)

Newly Designed,  
Shatterproof  
Polycarbonate Optics  
meet/exceed DLC 5.1  
glare standards

Instant Start  
with no flickering  
or humming

## TECHNICAL DATA



### LIGHT SPECIFICATIONS

Efficacy	139 lm/W
CCT	3500K/4000K/5000K
CRI	>80
Beam Angle	90°
Dimmable	0-10V
L70 Life	50,000 hrs
Warranty	5-year

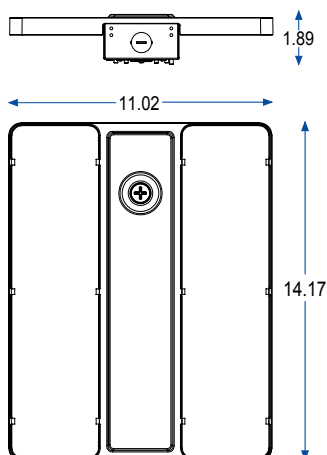
#### LUMEN OUTPUT

	3500K	4000K	5000K
70W	10318 lm	10742 lm	10616 lm
90W	12870 lm	13580 lm	13265 lm
110W	14929 lm	16113 lm	15285 lm

### DIMENSIONS AND WEIGHTS

Fixture Weight	4.2 lbs
Fixture Dimensions	14.17" x 11.02" x 1.89"
Carton Qty	1
Carton Weight	5.7 lbs
Carton Dimensions	15" x 11.8" x 3.4"

### DIMENSIONAL DRAWINGS



### ELECTRICAL

Wattage	70W/90W/110W
Voltage	120-347V
Current	1.20A
Surge Protection	6kV
Auxiliary Output	12V
Power Factor	≥0.9
THD	≤20%
Operating Temp	-40 to 50°C

### CONSTRUCTION

Cord Whip	10'
Housing	Iron + Aluminum
Lens	Polycarbonate
Finish	Powder Coated
Finish Colour	White
IP Rating	IP20

### ACCESSORIES (Ordered Separately)

Pendant Mount	LHB04-BKT
Surface Mount	LHB04-SK
Microwave Motion Sensor	MS04-MW-TW-DC
Infrared Motion Sensor	MS01-PIR-TW-DC
Remote Control	HB01R
Wire Guard (85-150W)	LHB04-WG-SM